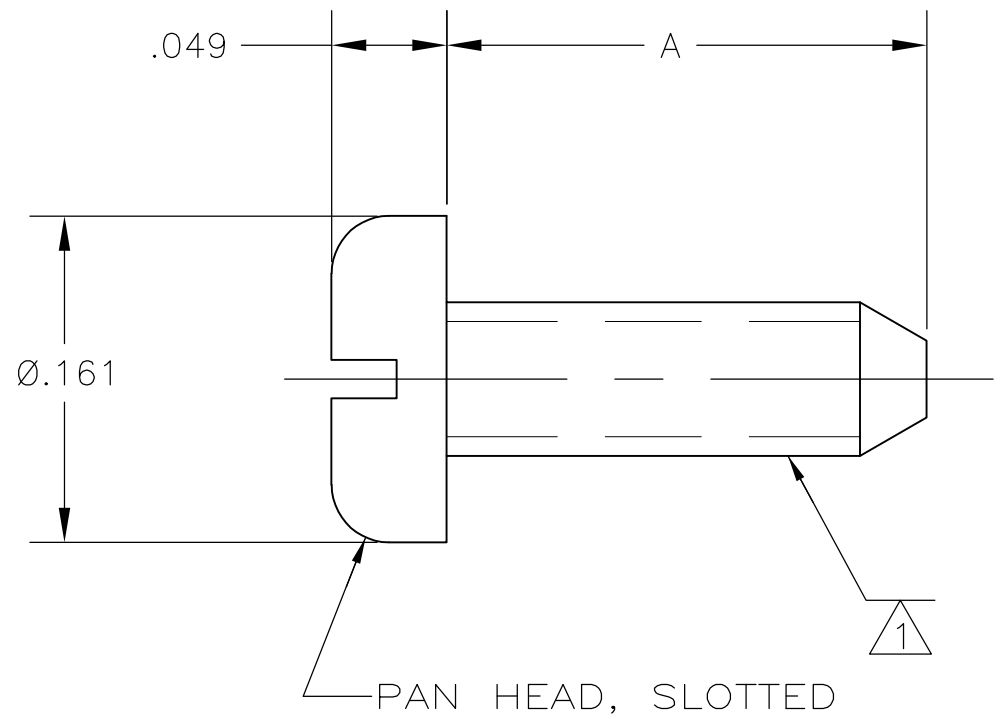


THIS DRAWING IS UNPUBLISHED. RELEASED FOR PUBLICATION - , - .
 © COPYRIGHT - By - ALL RIGHTS RESERVED.

LOC	DIST	REVISIONS					
		P	LTR	DESCRIPTION	DATE	DWN	APVD
AJ	16		P	REVISED PER ECO-11-005030	11MAR11	RK	HMR



- 1 #2-56 SPECIAL THREAD-ROLLING SCREW THREAD
- 2 CARBON STEEL PER AISI 1019-1022
- 3 ZINC PLATE

.250 MAX	9-221108-1
.312 MAX	9-221108-0
.250 MAX	221108-4
.312 MAX	221108-2
A DIM	PART NO

THIS DRAWING IS A CONTROLLED DOCUMENT.		DWN	M SYKES	02JUN2006	STE TE Connectivity													
DIMENSIONS: INCHES		CHK	DK SCHRUM	02JUN2006														
TOLERANCES UNLESS OTHERWISE SPECIFIED:		APVD	JT LIPPERT	02JUN2006	NAME													
<table border="0"> <tr><td>0 PLC</td><td>± -</td></tr> <tr><td>1 PLC</td><td>± -</td></tr> <tr><td>2 PLC</td><td>± -</td></tr> <tr><td>3 PLC</td><td>± .008</td></tr> <tr><td>4 PLC</td><td>± -</td></tr> <tr><td>ANGLES</td><td>± -</td></tr> </table>		0 PLC	± -	1 PLC	± -	2 PLC	± -	3 PLC	± .008	4 PLC	± -	ANGLES	± -	PRODUCT SPEC		SCREW, SELF TAPPING		
0 PLC	± -																	
1 PLC	± -																	
2 PLC	± -																	
3 PLC	± .008																	
4 PLC	± -																	
ANGLES	± -																	
MATERIAL		APPLICATION SPEC		RESTRICTED TO														
FINISH		WEIGHT		SIZE	CAGE CODE	DRAWING NO	RESTRICTED TO											
2		3		A3 00779		C-221108	-											
CUSTOMER DRAWING				SCALE	NTS	SHEET	1 OF 1											
				REV	P													

Mouser Electronics

Authorized Distributor

Click to View Pricing, Inventory, Delivery & Lifecycle Information:

[TE Connectivity:](#)

[9-221108-1](#)