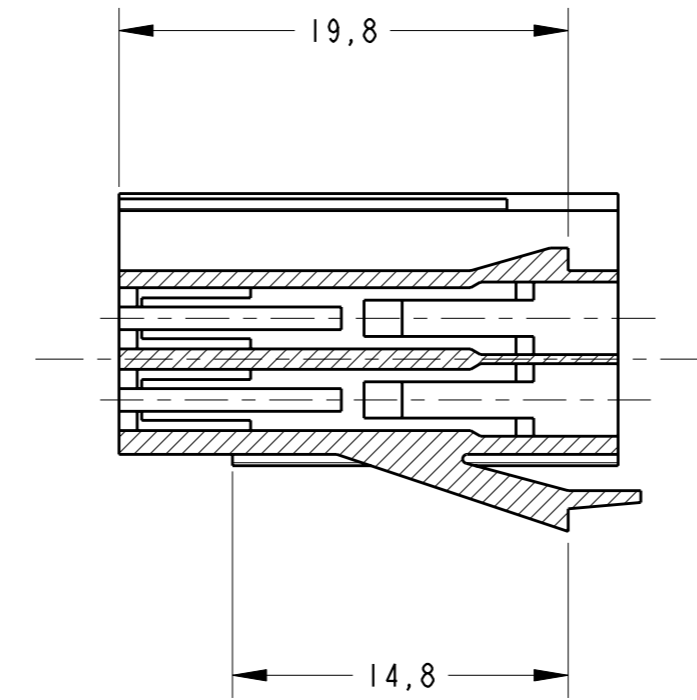
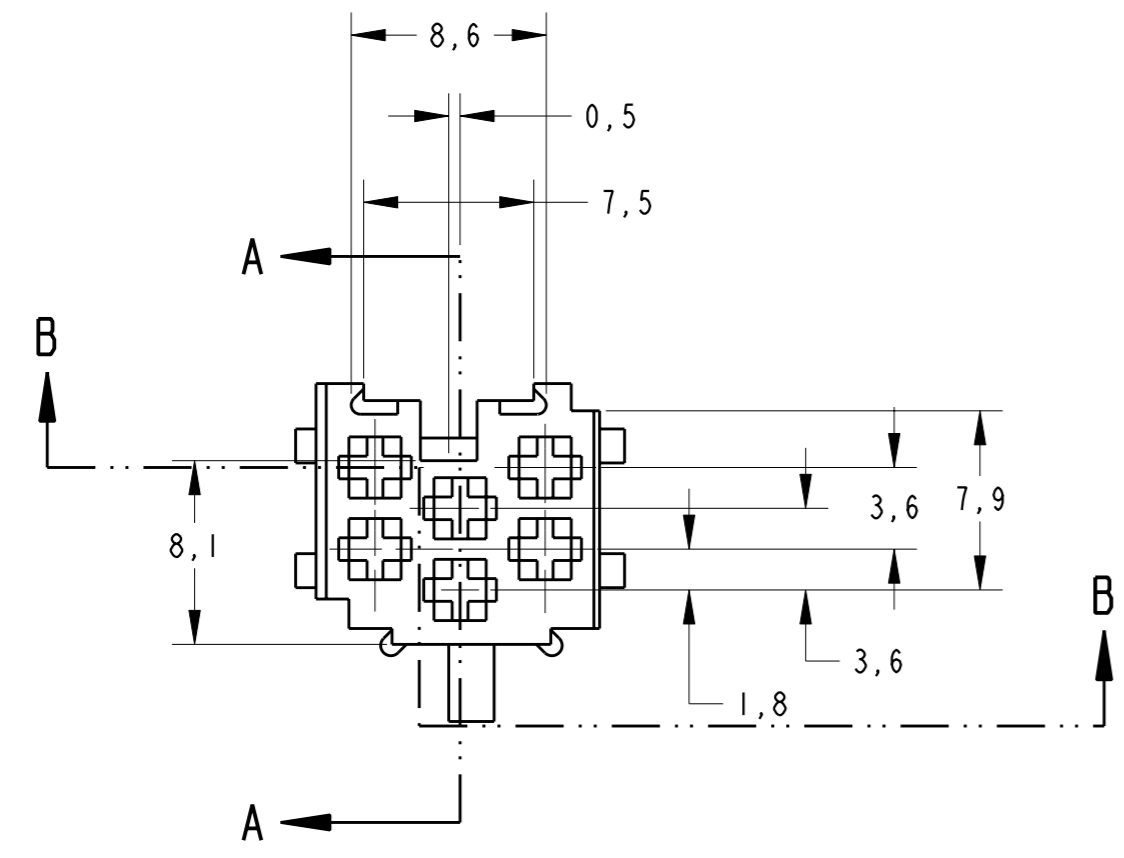
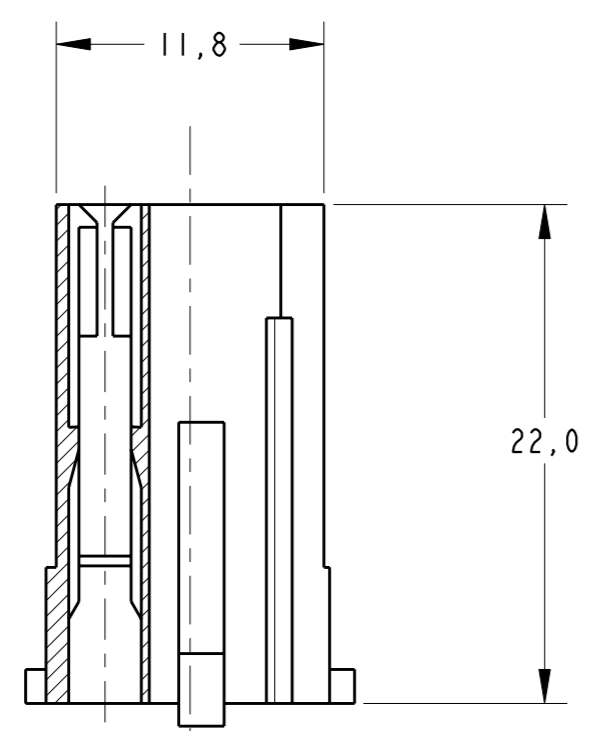
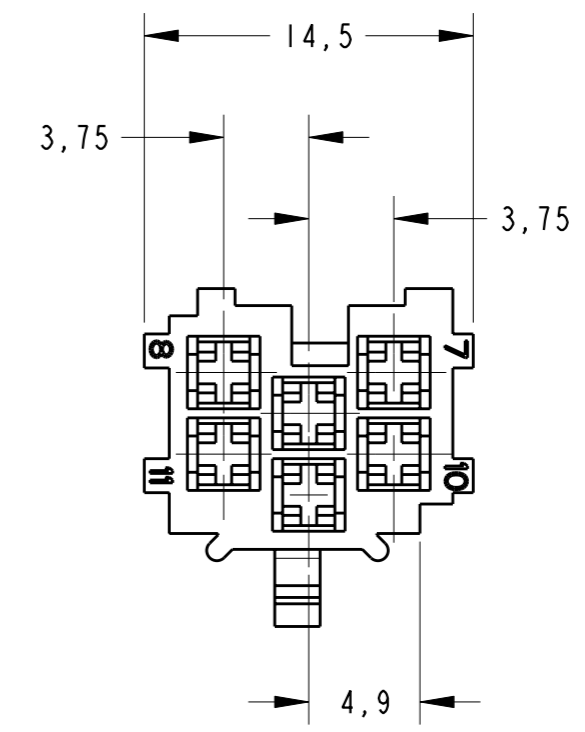


THIS DRAWING IS UNPUBLISHED. RELEASED FOR PUBLICATION
 © COPYRIGHT 20 ALL RIGHTS RESERVED.

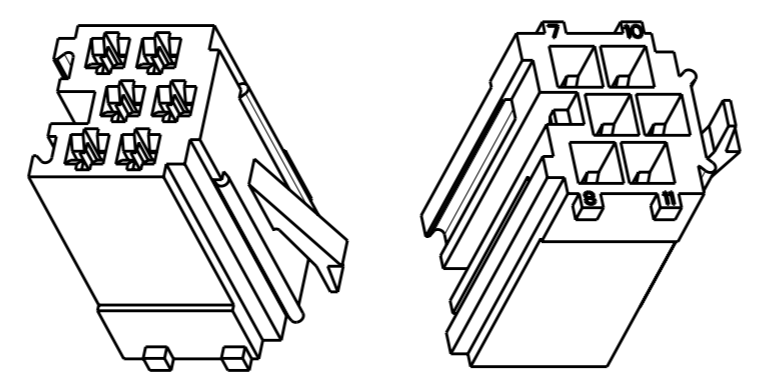
LOC	DIST	REVISIONS					
AP	-	P	LTR	DESCRIPTION	DATE	DWN	APVD
		C		CHANGE STATUS ECO-11-009151	19MAY2011	NCL	MG



SECTION A-A



SECTION B-B



PERSPECTIVE VIEW
SCALE 2:1

GRAVAÇÃO
MARKING
NOMENCLATURA MATERIAL
MATERIAL NOMENCLATURE
NÚMERO CAVIDADE
CAVITY NUMBER
IDENTIFICAÇÃO CIRCUITO
CIRCUIT IDENTIFICATION
REV+ LETRA REV.DA PEÇA
REV.+ PART REV.LETTER

—	VERDE / GREEN	PBT	493486-2
RAW MAT'L NO	FINISH	MATERIAL	PART NUMBER
THIS DRAWING IS A CONTROLLED DOCUMENT.		DWN N.C.LAPRESA 15SEP99 CHK P.L.FARIA 15SEP99 APVD P.R.SILVA 15SEP99 PRODUCT SPEC APPLICATION SPEC WEIGHT -	
DIMENSIONS: mm 		NAME - HOUSING, 6 POSN., MICRO TIMER SIZE A2 CAGE CODE 00779 DRAWING NO C-493486 RESTRICTED TO -	
TOLERANCES UNLESS OTHERWISE SPECIFIED: 0 PLC ± 1 PLC ±0.3 2 PLC ±0.2 3 PLC ± 4 PLC ± ANGLES ±1° FINISH		CUSTOMER DRAWING SCALE 3:1 SHEET 1 OF 1 REV C	

Mouser Electronics

Authorized Distributor

Click to View Pricing, Inventory, Delivery & Lifecycle Information:

[TE Connectivity:](#)

[493486-1](#)