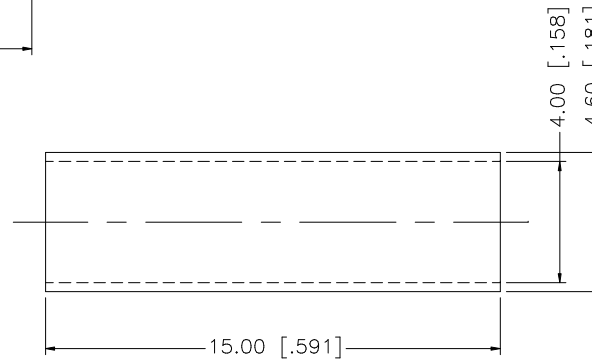
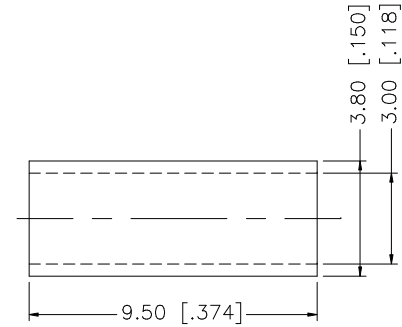
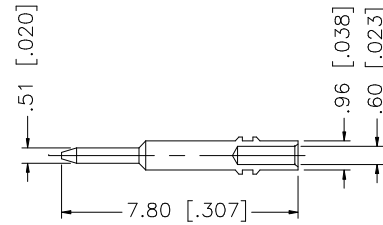
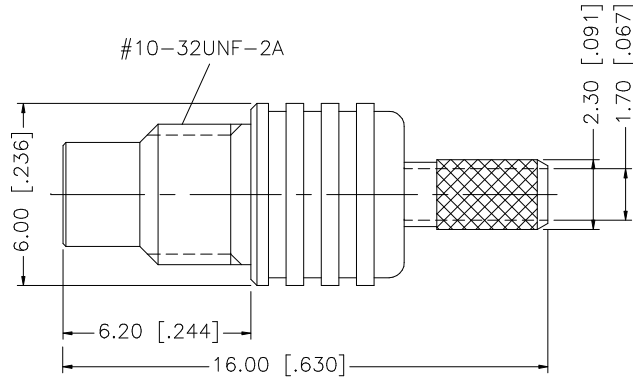
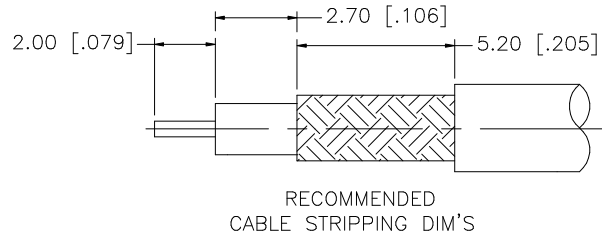


REV.	DATE	DESCRIPTION
A	04/31/03	UPDATE DRAWING FORMAT



NOTE:

1. CRIMPED FERRULE
HEX CRIMP SIZE .128"
2. CRIMPED CONTACT PIN
SQ. CRIMP SIZE 0.7mm

				UNLESS OTHERWISE SPECIFIED DIMENSIONS ARE IN MILLIMETERS. DIMENSIONS IN [] ARE IN INCHES AND FOR CUSTOMER REFERENCE ONLY.	APPROVALS	DATE	<h1 style="color: blue; margin: 0;">Amphenol Connex</h1>				
8					DRAWN	G.R.S.					04/31/03
7					CHECKED			PART DESCRIPTION 152102			
6					ISSUED						
5	HEAT SHRINK TUBE		BLACK	1	SHEET	1 OF 1		DWG. NO. 152102.DWG			
4	FERRULE	COPPER	NICKEL	1							
3	CONTACT PIN	BRASS	GOLD	1				CAD FILE C:/152/152102.DWG			
2	INSULATOR	TEFLON	NATURAL	1							
1	BODY	BRASS	NICKEL	1				UNLESS OTHERWISE SPECIFIED TOLERANCES FOR MILLIMETERS ARE: 0.5 - 8mm ± 0.20mm 8 - 30mm ± 0.40mm 30 - 120mm ± 0.50mm UNLESS OTHERWISE SPECIFIED TOLERANCES FOR INCHES ARE: .020 - .315 = ± 0.007" .315 - 1.180 = ± 0.015" 1.180 - 4.724 = ± 0.020"			
DESCRIPTION				MATERIAL	FINISH	QTY					

Mouser Electronics

Authorized Distributor

Click to View Pricing, Inventory, Delivery & Lifecycle Information:

[Amphenol:](#)

[152102](#)