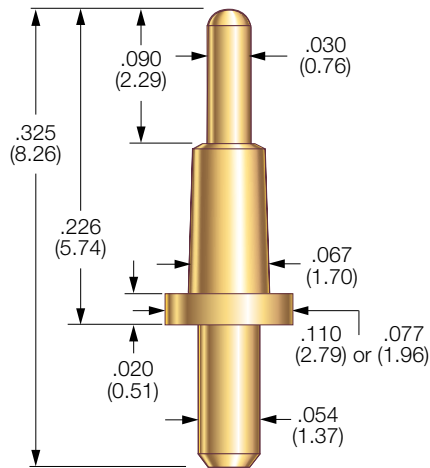
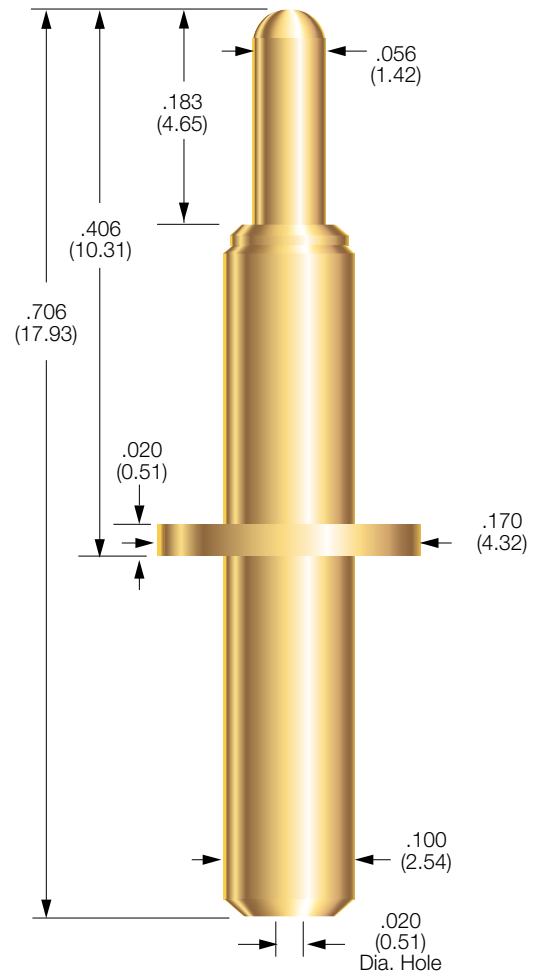


Battery and Connector Probes

101050 PROBE



101247 PROBE



PROBE SPECIFICATIONS

Minimum Centers: .125 (3.18)
Current Rating: 10 amps continuous
 (Individual probe in free air @ ambient temperature)
Spring Force: 2.3 oz. (65g) @ .060 (1.52) travel
Typical Resistance: < 10 mΩ
Maximum Travel: .090 (2.29)
Working Travel: .060 (1.52)

MATERIALS

Barrel: Nickel/silver, gold plated
Spring: Stainless steel, passivated
Plunger: Beryllium copper, gold plated
Ball: Stainless steel, gold plated

PROBE SPECIFICATIONS

Minimum Centers: .200 (5.08)
Current Rating: 20 amps continuous
 (Individual probe in free air @ ambient temperature)
Spring Force: 11.7 oz. (256g) @ .147 (3.73) travel
Typical Resistance: < 10 mΩ
Maximum Travel: .180 (4.57)
Working Travel: .147 (3.73)

MATERIALS

Barrel: Brass, gold plated
Spring: Stainless steel, passivated
Plunger: Beryllium copper, gold plated

HOW TO ORDER

101050-003 for .110 dia. flange
 101050-005 for .077 dia. flange

Specifications subject to change without notice. Dimensions in inches (millimeters)

HOW TO ORDER

101247-001

Mouser Electronics

Authorized Distributor

Click to View Pricing, Inventory, Delivery & Lifecycle Information:

[Smiths Interconnect:](#)

[101050-003](#) [101050-005](#) [101247-001](#)