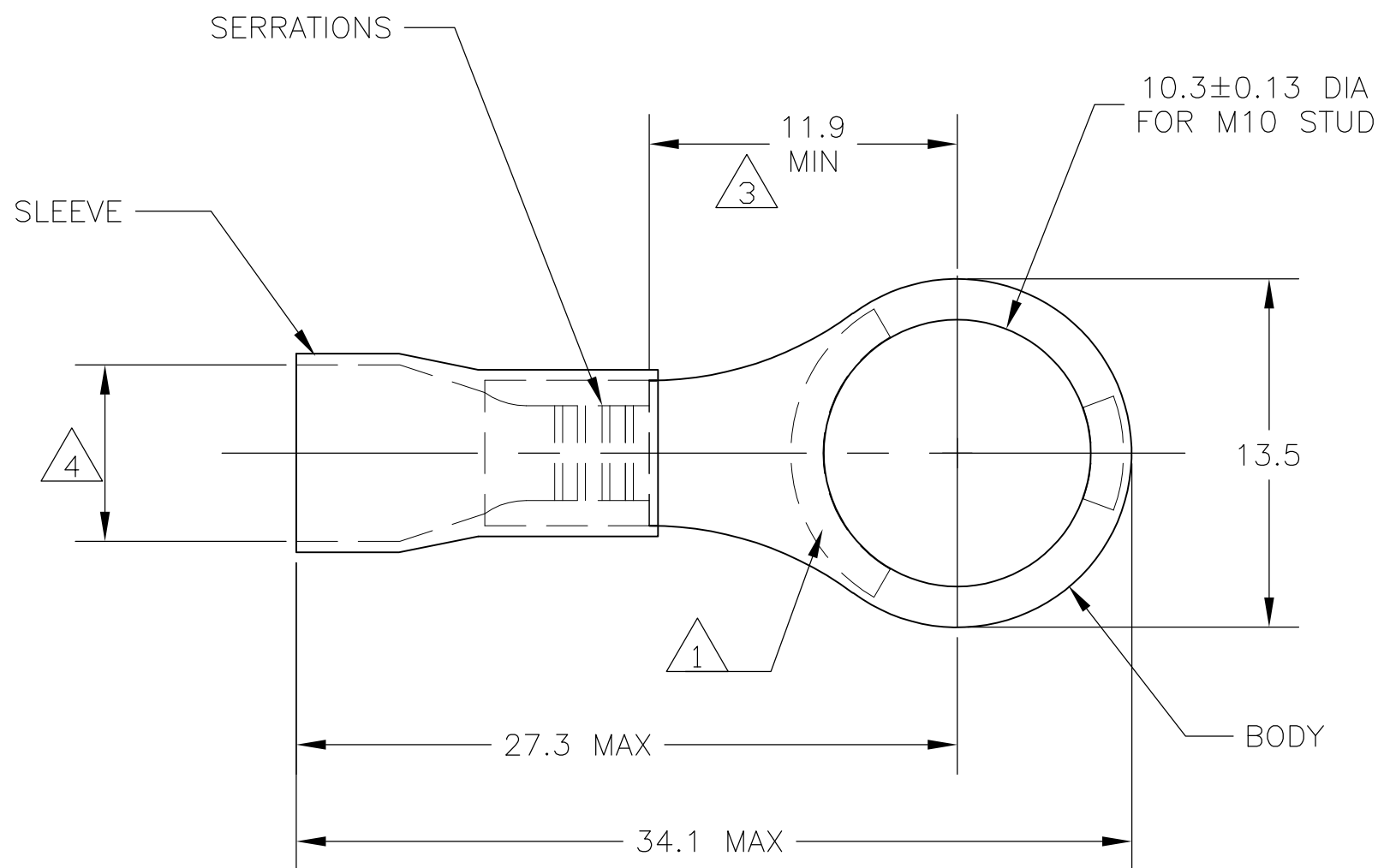


THIS DRAWING IS UNPUBLISHED. RELEASED FOR PUBLICATION  
© COPYRIGHT - BY TYCO ELECTRONICS CORPORATION. ALL RIGHTS RESERVED.

LOC G DIST 14

REVISIONS		DESCRIPTION	DATE	DWN	APVD
P	LTR				
	A	REV PER ECR 07-017430	01AUG07	JR	TM

<b>AMP</b> WIRE RANGE	Listed
12-10 AWG SOLID OR STRANDED	12-10 AWG SOLID OR STRANDED



- 1 STAMP "AMP 12-10\*", LOCATION APPROX AS SHOWN.
- 2 TONGUE THICKNESS IS 1.0±0.05
- 3 APPLIES TO EDGE OF METAL WIRE BARREL TO CENTER OF STUD HOLE.
- 4 WIRE INSULATION DIA RANGE 3.81-6.35
- 5 BODY - COPPER PER ASTM B-152 SLEEVE - PVC
- 6 BODY - TIN PL PER ASTM B-545 SLEEVE - COLOR - YELLOW
- 7 105°C MAX OPERATING TEMPERATURE.
- 8 600 VOLT MAX
- 9 2.62-6.64mm<sup>2</sup> [5,180 - 13,100 CMA] SOLID OR STRANDED

500	LOOSE PIECE	130677
QTY	PACKAGE TYPE	PART NO

THIS DRAWING IS A CONTROLLED DOCUMENT.		DWN jr_ruth 01AUG07	Tyco Electronics Corporation Harrisburg, PA 17105-3608	
DIMENSIONS: mm INCHES		CHK T MICHELUTTI 01AUG07		
TOLERANCES UNLESS OTHERWISE SPECIFIED:		APVD T MICHELUTTI 01AUG07	NAME	
0 PLC ± - 1 PLC ± 0.1 2 PLC ± - 3 PLC ± - 4 PLC ± - ANGLES ± 5°		PRODUCT SPEC -	TERMINAL RING TONGUE, PLASTI-GRIP, WIRE SIZE 12-10	
MATERIAL -5		FINISH -6	APPLICATION SPEC -	RESTRICTED TO -
		WEIGHT -	SIZE A3	CAGE CODE 00779
		CUSTOMER DRAWING	DRAWING NO C-130677	SCALE 4:1
			SHEET 1 OF 1	REV A

# Mouser Electronics

Authorized Distributor

Click to View Pricing, Inventory, Delivery & Lifecycle Information:

[TE Connectivity:](#)

[130677](#)