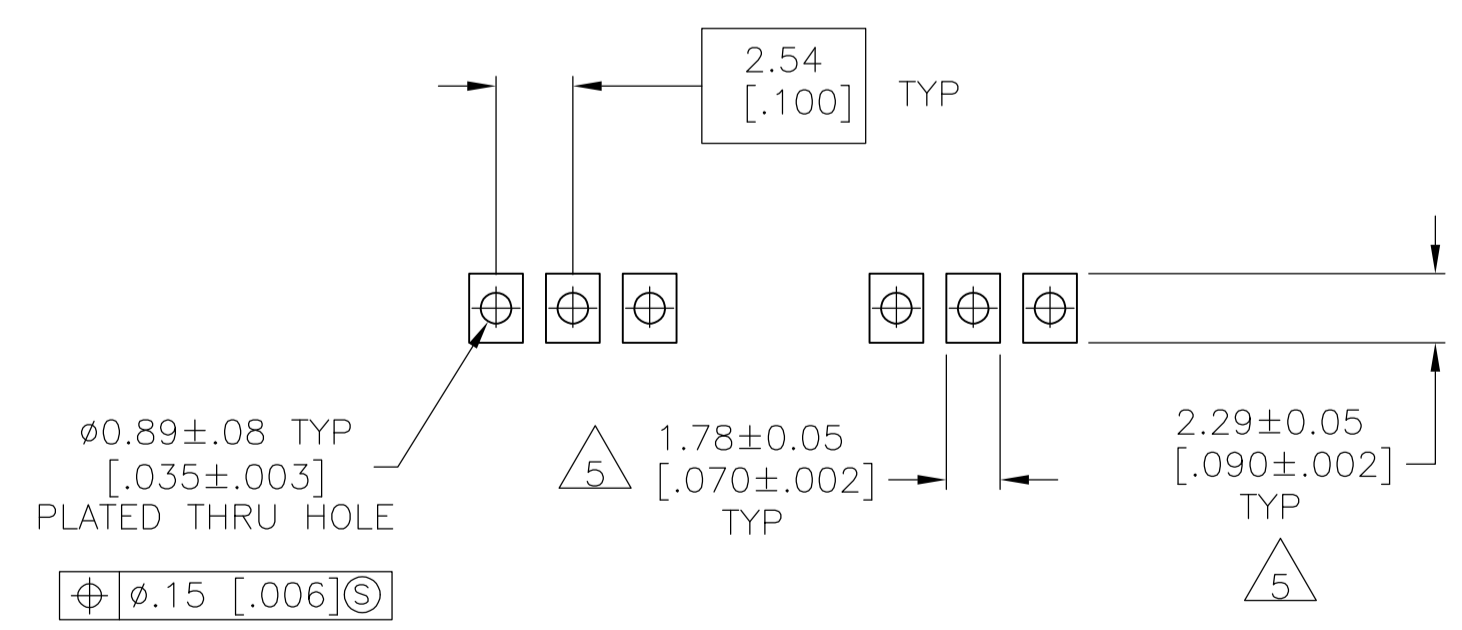
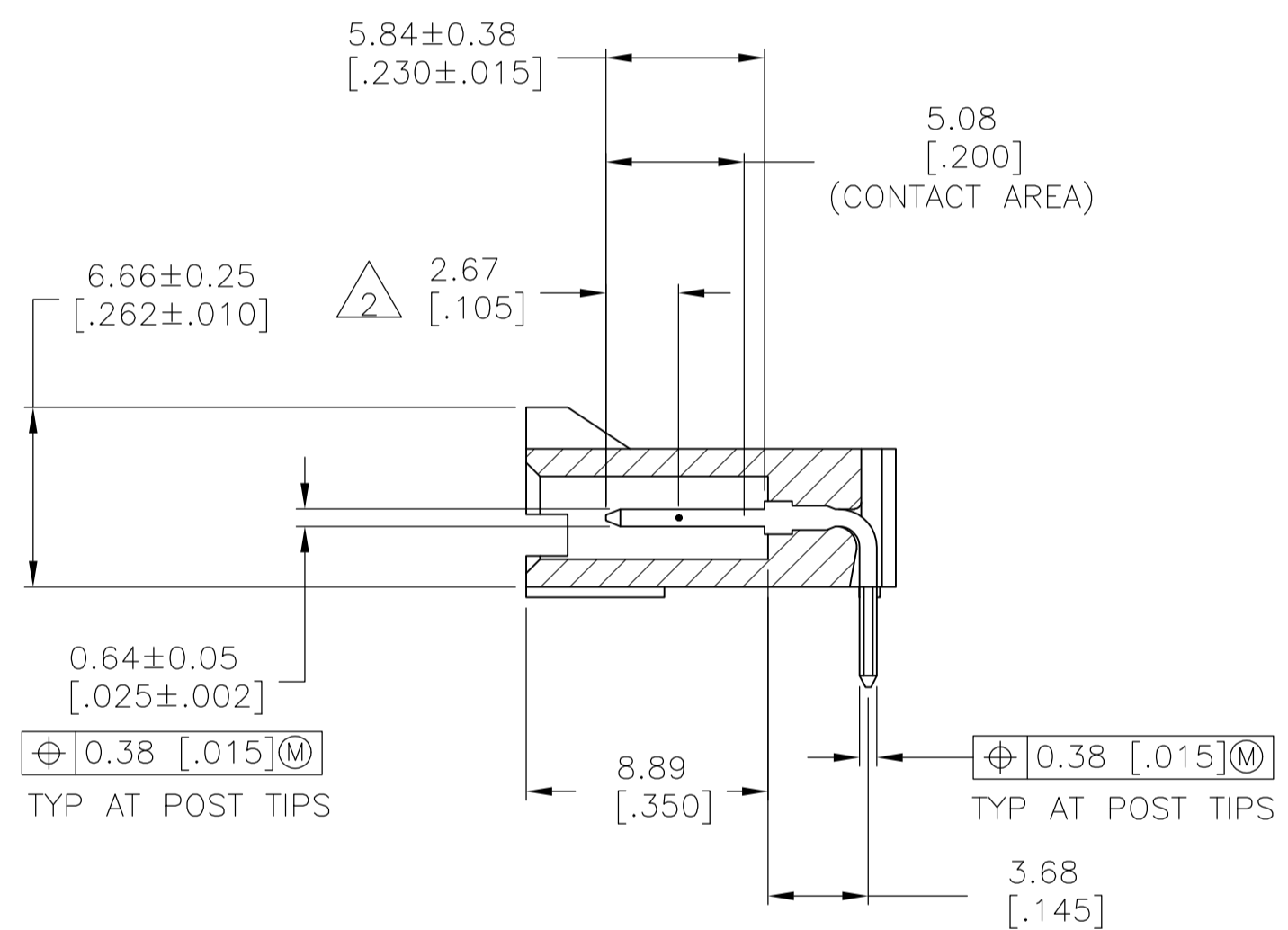
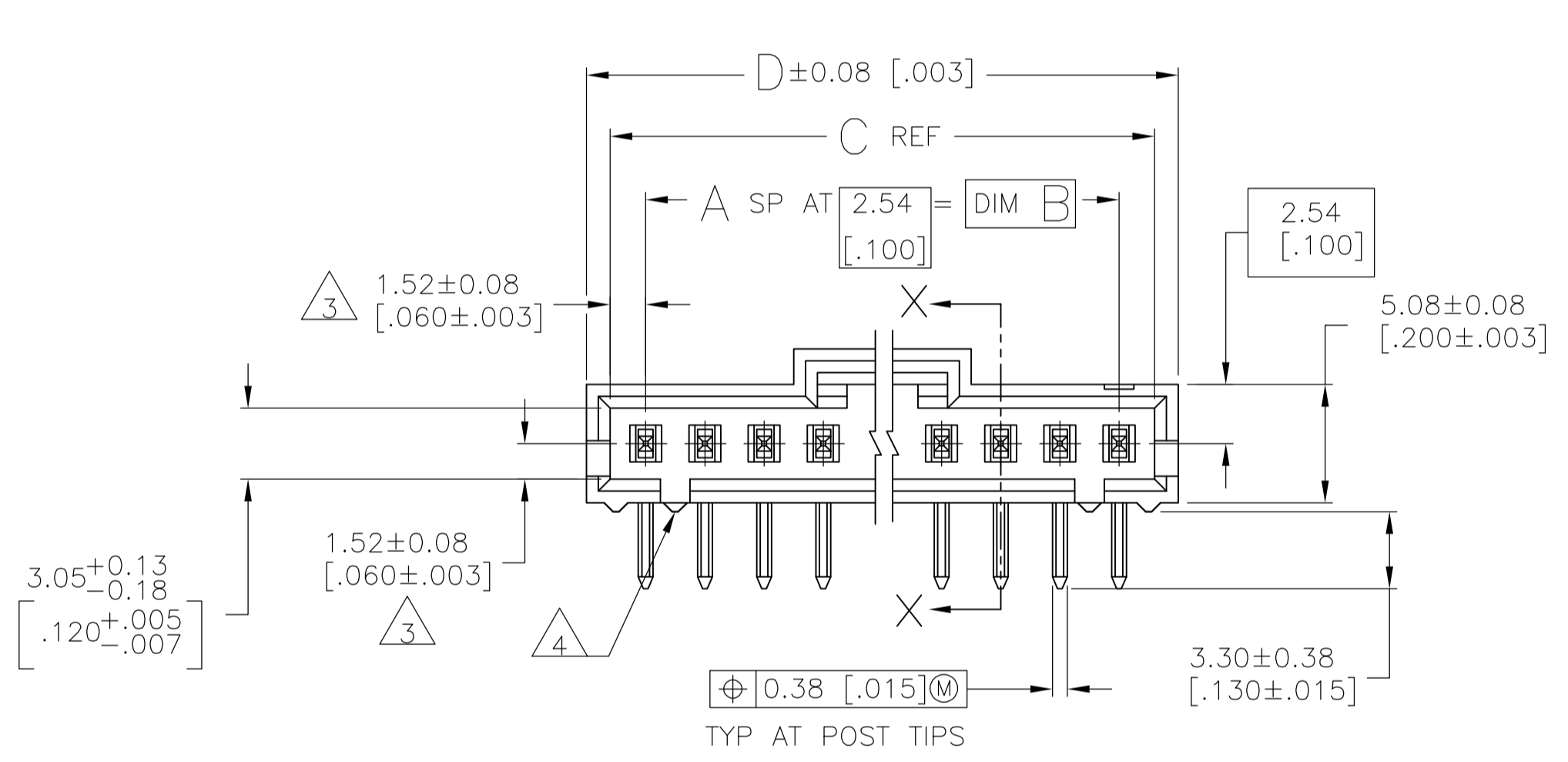
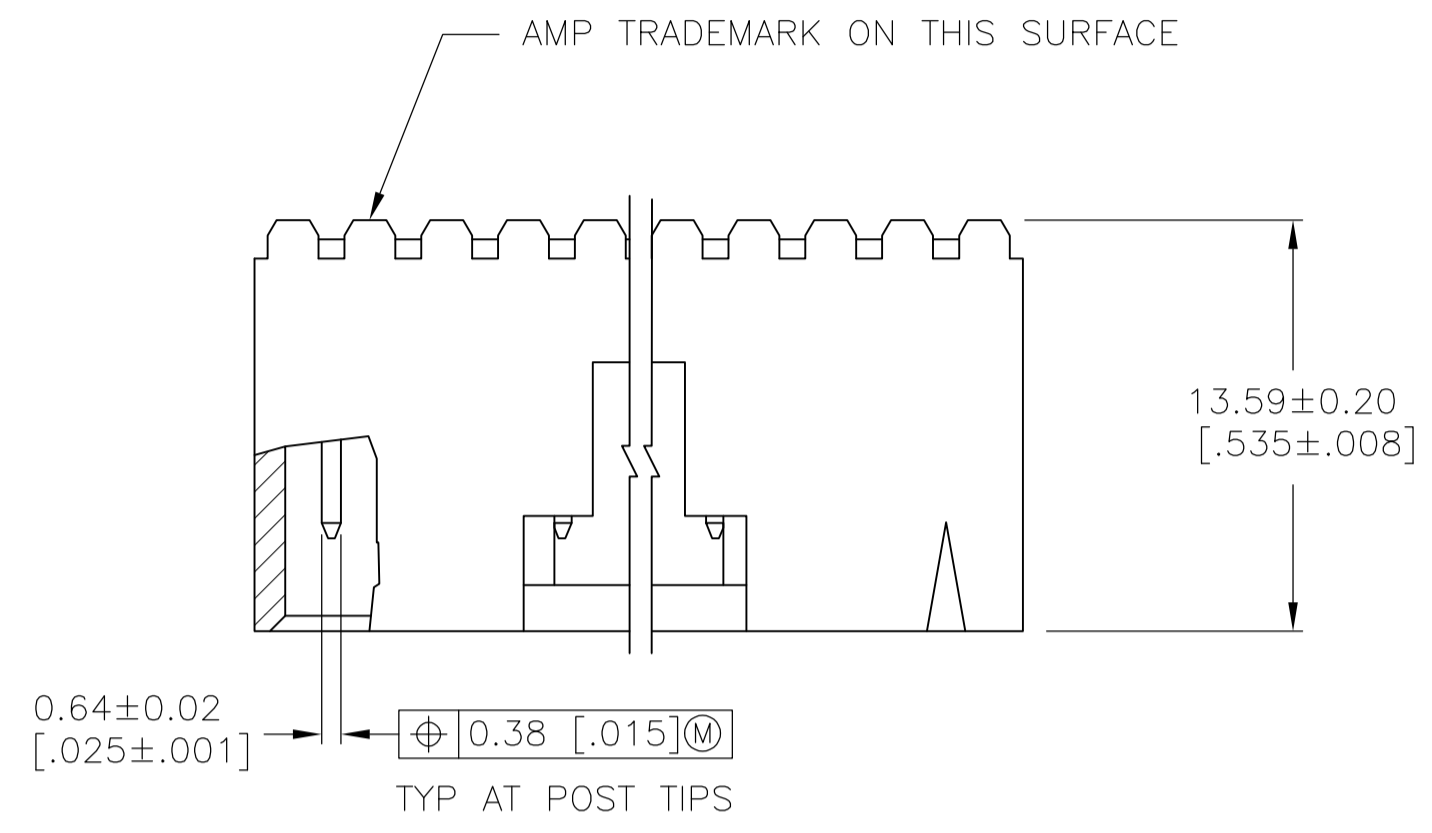


| REVISIONS |           |                           |     |     |      |
|-----------|-----------|---------------------------|-----|-----|------|
| REV       | DATE      | DESCRIPTION               | BY  | CHK | APPV |
| F2        | 11MAR11   | REVISED PER ECO-11-004587 | RK  | HMR |      |
| G         | 10APR2017 | REVISED PER ECO-17-002584 | BDA | MM  |      |

- 1 .00076[.000030] GOLD IN THE CONTACT AREA, .00254[.000100]-.00508[.000200] MATTE TIN-LEAD ON THE SOLDER TAIL, ALL OVER .00127[.000050] NICKEL
- 2 POINT OF MEASUREMENT FOR PLATING THICKNESS
- 3 THE NOTED DIMENSIONS APPLY FROM THE BASIC DIMENSION LINE (NOT THE POST CENTERLINE) TO THE SURFACE INDICATED
- 4 ON ASSEMBLIES WITH FOUR OR MORE POSITIONS, TWO POLARIZATION SLOTS. ON ASSEMBLIES WITH TWO OR THREE POSITIONS, ONE POLARIZATION SLOT.
- 5 DIMENSIONS NOTED ARE FOR SOLDER STENCIL LAYOUT FOR USE WITH A 1.57±0.20 [.062±.008] THICK PRINTED CIRCUIT BOARD
- 6 MATERIAL: HOUSING - HIGH TEMPERATURE LCP  
COLOR: BLACK  
POSTS - BRASS
- 7 .00076[.000030] GOLD IN THE CONTACT AREA, .00254[.000100]-.00508[.000200] MATTE TIN ON THE SOLDER TAIL, ALL OVER .00127[.000050] NICKEL
- 8 OBSOLETE PARTS: OBSOLETE CIS STREAMLINING PER D.RENAUD/D.SINIS



RECOMMENDED PC BOARD MOUNTING DIMENSIONS  
RECOMMENDED STENCIL THICKNESS = 0.25 [.010]

| PLATING | D                        | C             | B             | A  | NO OF POSN | PART NUMBER |
|---------|--------------------------|---------------|---------------|----|------------|-------------|
| 7       | 2.595                    | 2.520         | 2.400         | 24 | 25         | 7-104935-4  |
| 7       | 2.495                    | 2.420         | 2.300         | 23 | 24         | 7-104935-3  |
| 7       | 2.395                    | 2.320         | 2.200         | 22 | 23         | 7-104935-2  |
| 7       | 2.295                    | 2.220         | 2.100         | 21 | 22         | 7-104935-1  |
| 7       | 2.195                    | 2.120         | 2.000         | 20 | 21         | 7-104935-0  |
| 7       | 2.095                    | 2.020         | 1.900         | 19 | 20         | 6-104935-9  |
| 7       | 1.995                    | 1.920         | 1.800         | 18 | 19         | 6-104935-8  |
| 7       | 1.895                    | 1.820         | 1.700         | 17 | 18         | 6-104935-7  |
| 7       | 1.795                    | 1.720         | 1.600         | 16 | 17         | 6-104935-6  |
| 7       | 1.695                    | 1.620         | 1.500         | 15 | 16         | 6-104935-5  |
| 7       | 1.595                    | 1.520         | 1.400         | 14 | 15         | 6-104935-4  |
| 7       | 1.495                    | 1.420         | 1.300         | 13 | 14         | 6-104935-3  |
| 7       | 1.395                    | 1.320         | 1.200         | 12 | 13         | 6-104935-2  |
| 7       | 1.195                    | 1.120         | 1.000         | 10 | 11         | 6-104935-1  |
| 7       | 1.095                    | 1.020         | .900          | 9  | 10         | 6-104935-0  |
| 7       | .995                     | .920          | .800          | 8  | 9          | 5-104935-9  |
| 7       | .795                     | .720          | .600          | 6  | 7          | 5-104935-8  |
| 7       | .695                     | .620          | .500          | 5  | 6          | 5-104935-7  |
| 7       | .595                     | .520          | .400          | 4  | 5          | 5-104935-6  |
| 7       | 7.49 [.295]              | 5.59 [.220]   | 2.54 [.100]   | 1  | 2          | 5-104935-5  |
| 7       | 32.89 [1.295]            | 30.99 [1.220] | 27.94 [1.100] | 11 | 12         | 5-104935-4  |
| 7       | 10.03 [.395]             | 8.13 [.320]   | 5.08 [.200]   | 2  | 3          | 5-104935-3  |
| 7       | 22.73 [.895]             | 20.83 [.820]  | 17.78 [.700]  | 7  | 8          | 5-104935-2  |
| 7       | 12.57 [.495]             | 10.67 [.420]  | 7.62 [.300]   | 3  | 4          | 5-104935-1  |
| 1       | 7.49 [.295]              | 5.59 [.220]   | 2.54 [.100]   | 1  | 2          | 104935-5    |
| 1       | 32.89 [1.295]            | 30.99 [1.220] | 27.94 [1.100] | 11 | 12         | 104935-4    |
| 1       | 10.03 [.395]             | 8.13 [.320]   | 5.08 [.200]   | 2  | 3          | 104935-3    |
| 1       | 22.73 [.895]             | 20.83 [.820]  | 17.78 [.700]  | 7  | 8          | 104935-2    |
| 1       | 12.57 [.495]             | 10.67 [.420]  | 7.62 [.300]   | 3  | 4          | 104935-1    |
| 8       | SUPERSEDED BY 5-104935-1 |               |               |    |            |             |

THIS DRAWING IS A CONTROLLED DOCUMENT.

DIN E. BRANDBERG 27-JUL-95  
CHK: J. GESFORD 27-JUL-95  
APPV: D. DUPLER 27-JUL-95

STE TE Connectivity

NAME: HEADER ASSY, AMPMODU MTE, RIGHT ANGLE, SINGLE ROW, .100CL, .025 SQ POSTS, WITH LATCH

PRODUCT SPEC: APPLICATION SPEC

SIZE: A1 CASE CODE: 00779 DRAWING NO: 104935

WEIGHT: RESTRICTED TO: CUSTOMER DRAWING SCALE: 4:1 SHEET 1 OF 1 REV G

# Mouser Electronics

Authorized Distributor

Click to View Pricing, Inventory, Delivery & Lifecycle Information:

[TE Connectivity:](#)

[5-104935-1](#)