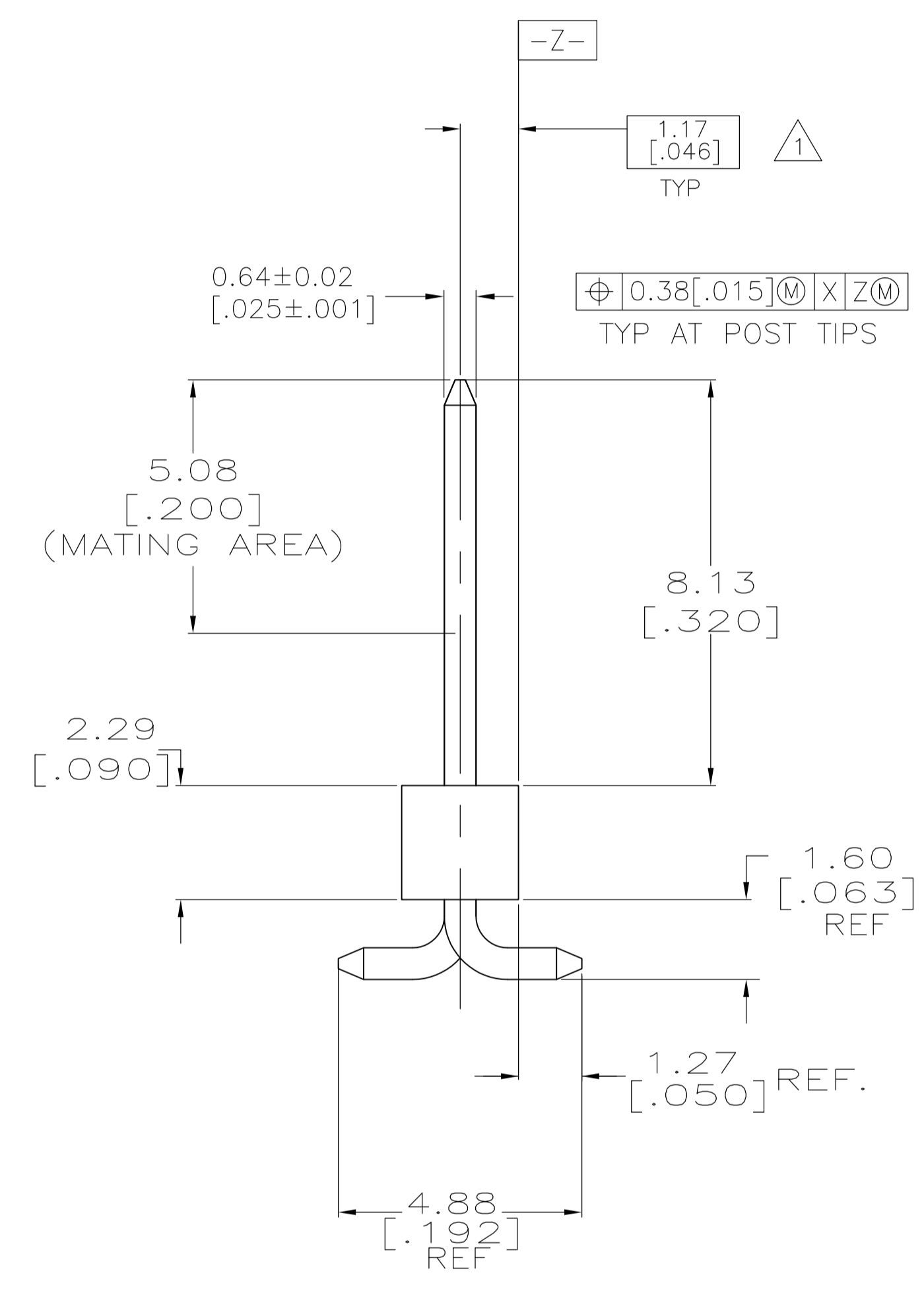


RECOMMENDED PCB LAYOUT FOR USE WITH .008 THICK STENCIL

- △1 THE NOTED DIMENSIONS APPLY AT THE INTERSECTION OF THE POST AND THE HOUSING.
- △2 0.00254[.000100]-0.00508[.000200] MATTE TIN-LEAD OVER
0.00127[.000050] NICKEL ENTIRE POST.
- △3 HOUSING: LCP, COLOR-BLACK.
POSTS: PHOSPHOR BRONZE.
- △4 0.00254[.000100]-0.00508[.000200] MATTE TIN OVER
0.00127[.000050] NICKEL ENTIRE POST.
- △5 PRELIMINARY PART - NOT RELEASED FOR PRODUCTION.
- △6 OBSOLETE PARTS: OBSOLETE CIS STREAMLINING PER D.RENAUD/D.SINISI



REV	DATE	BY	CHKD	DESCRIPTION	PART NO
△4	35.56 [1.400]	14	35.69 [1.484]	15	6-146133-3
△4	33.02 [1.300]	13	33.15 [1.384]	14	6-146133-2
△4	30.48 [1.200]	12	30.61 [1.284]	13	6-146133-1
△4	27.94 [1.100]	11	28.07 [1.184]	12	6-146133-0
△4	25.40 [1.000]	10	27.53 [1.084]	11	5-146133-9
△4	22.86 [0.900]	9	24.99 [0.984]	10	5-146133-8
△4	20.32 [0.800]	8	22.45 [0.884]	9	5-146133-7
△4	17.78 [0.700]	7	19.91 [0.784]	8	5-146133-6
△4	15.24 [0.600]	6	17.37 [0.684]	7	5-146133-5
△4	12.70 [0.500]	5	14.83 [0.584]	6	5-146133-4
△4	10.16 [0.400]	4	12.29 [0.484]	5	5-146133-3
△4	7.62 [0.300]	3	9.75 [0.384]	4	5-146133-2
△4	5.08 [0.200]	2	7.21 [0.284]	3	5-146133-1
△5	17.78 [0.700]	7	19.91 [0.784]	8	1-146133-5
OBSOLETE	35.56 [1.400]	14	35.69 [1.484]	15	1-146133-3
OBSOLETE	33.02 [1.300]	13	33.15 [1.384]	14	1-146133-2
△6	30.48 [1.200]	12	30.61 [1.284]	13	1-146133-1
OBSOLETE	27.94 [1.100]	11	28.07 [1.184]	12	1-146133-0
OBSOLETE	25.40 [1.000]	10	27.53 [1.084]	11	146133-9
OBSOLETE	22.86 [0.900]	9	24.99 [0.984]	10	146133-8
OBSOLETE	20.32 [0.800]	8	22.45 [0.884]	9	146133-7
OBSOLETE	17.78 [0.700]	7	19.91 [0.784]	8	146133-6
OBSOLETE	15.24 [0.600]	6	17.37 [0.684]	7	146133-5
OBSOLETE	12.70 [0.500]	5	14.83 [0.584]	6	146133-4
△6	10.16 [0.400]	4	12.29 [0.484]	5	146133-3
OBSOLETE	7.62 [0.300]	3	9.75 [0.384]	4	146133-2
OBSOLETE	5.08 [0.200]	2	7.21 [0.284]	3	146133-1
PLATING	C	B	A	NO OF POSN	PART NUMBER

THIS DRAWING IS A CONTROLLED DOCUMENT.

DIMENSIONS: mm [INCHES]

TOLERANCES UNLESS OTHERWISE SPECIFIED:

0	PLC	±	-
1	PLC	±	-
2	PLC	±	-
3	PLC	±	.127(.005)
4	PLC	±	-
5	PLC	±	-
6	PLC	±	-

FINISH: SEE TABLE

APPROVED: J. KNAUB, G. DUBNICZKI, G. DUBNICZKI

DATE: 30SEP94

PRODUCT SPEC: SURFACE MOUNT HEADER ASSEMBLY, MOD II, BREAKAWAY, VERTICAL, SINGLE ROW, .100 X.100 C/L, .025 SQ. POST

APPLICATION SPEC: A1

SIZE: A1

WEIGHT: 1.00779g

CUSTOMER DRAWING: 146133

SCALE: 1:1

SHEET: 1 of 1

REV: L3

Mouser Electronics

Authorized Distributor

Click to View Pricing, Inventory, Delivery & Lifecycle Information:

[TE Connectivity:](#)

[146133-4](#)