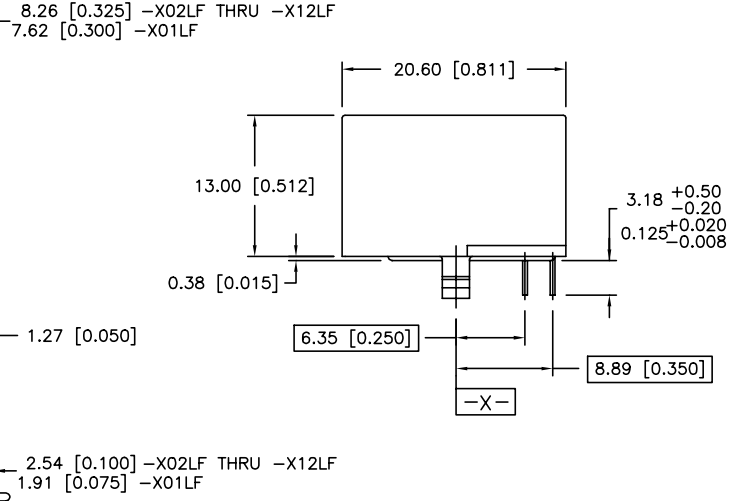
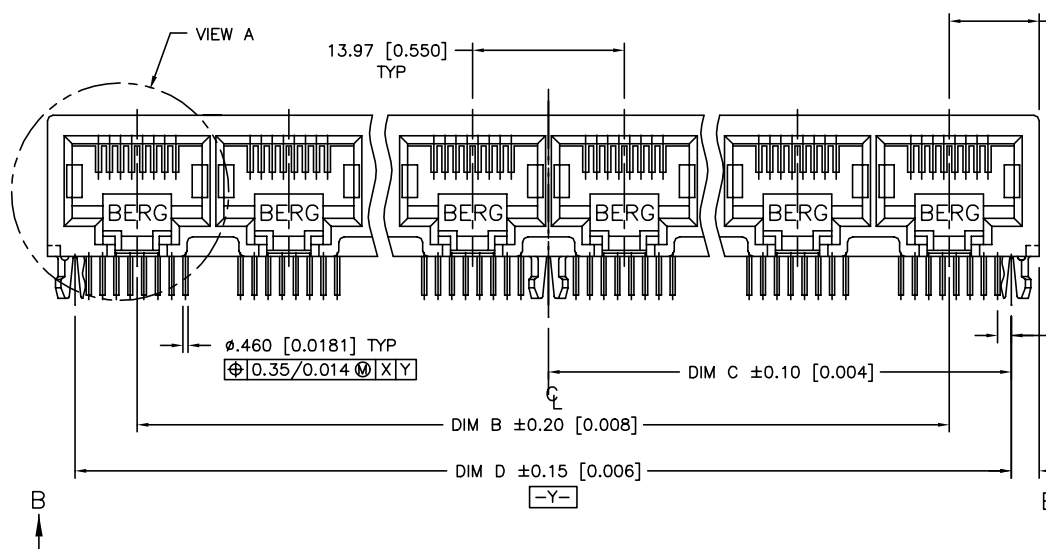
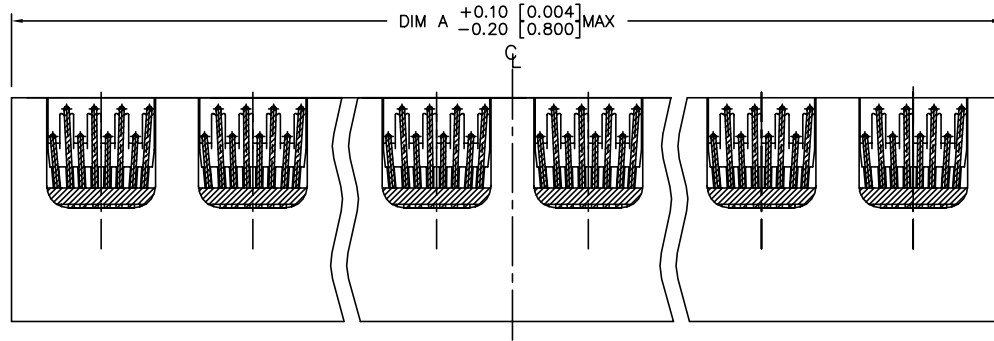
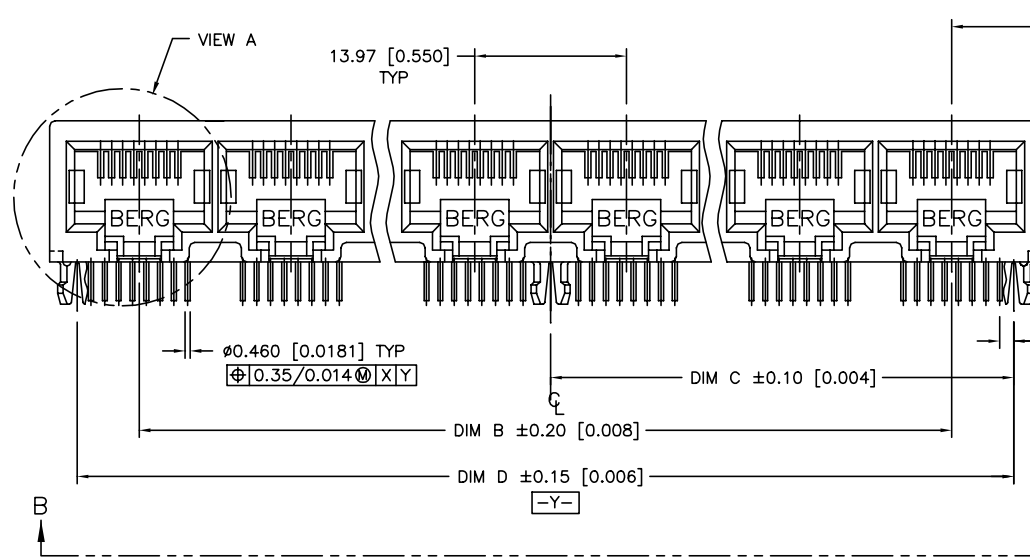
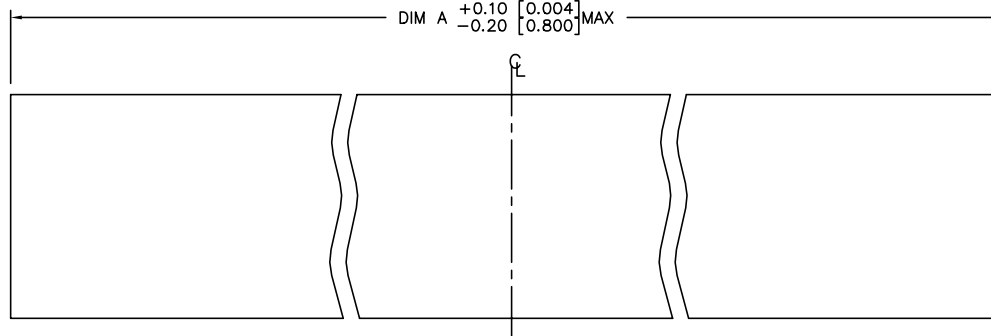


PRODUCT NO.
94911-XXXLF
94911-XXXHLF

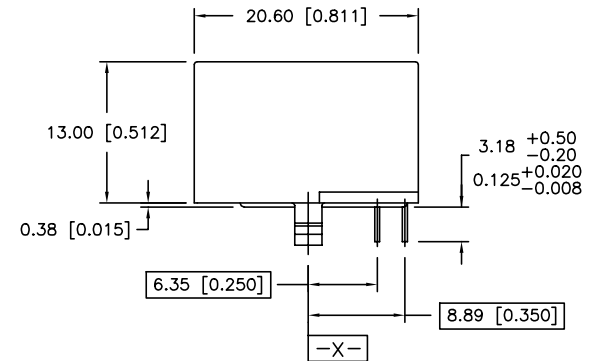


mat'l. code	surface ISO1302 ✓	tolerance ISO1101 ISO406	projection ⊕	product family MOD JACK
l trechn nodr	date	tolerances unless otherwise specified	mm	R/A. 8 POS GANG JACK ASSY. UNSHIELDED, SNAP PEG
J V81304 RGD 7/13/98	angle	0.X±0.3	scale 1.0	dwg no 94911 sheet 1 of 6 size A4
K N04-0119 MHT 12/9/04	0°±2'	0.XX±0.15		type Product Customer Drawing
L N08-0100 SH 09/25/08	dr KCHOU	0.XXX±0.05		
M N08-0273 SH 12/25/08	enr TC			
N ELX-N-011000 SH MNO 3/14/12	chr J.TSAO			
	appd J.TSAO			
sheet index	revision	N N N N N N		
	sheet	1 2 3 4 5 6		

PRODUCT NO.
94911-XXXMLF
94911-XXXMHLF



8.26 [0.325] -X02MLF THRU -X12MLF
7.62 [0.300] -X01MLF

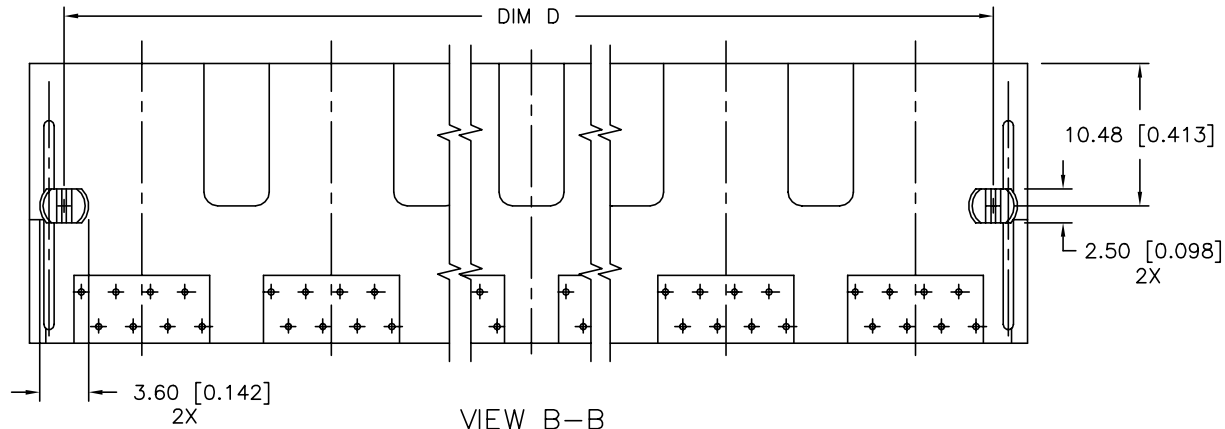


2.54 [0.100] -X02MLF THRU -X12MLF
1.91 [0.075] -X01MLF

mat'l. code		surface ISO1302 ✓		tolerance ISO1101 ISO406		projection mm		product family MOD JACK	
l	tr	ec	n	no	dr	date	tolerances unless otherwise specified	title	
J	V81304	RGD				7/13/98	0.X±0.3	R/A. 8 POS GANG JACK ASSY.	
K	N04-0119	MHT				12/9/04	0.XX±0.15	UNSHIELDED, SNAP PEG	
L	N08-0100	SH				09/25/08	0.XXX±0.05	scale 1.0	
M	N08-0273	SH			dr	12/25/08	KCHOU	5/5/94	dwg no
N	ELX-N-011000	SH	MMO		en	3/14/12	TC	5/5/94	sheet 2 of 6
					chr		J.TSAO	5/5/94	size
					appd		J.TSAO	5/5/94	A4
sheet index		revision sheet						type Product Customer Drawing	

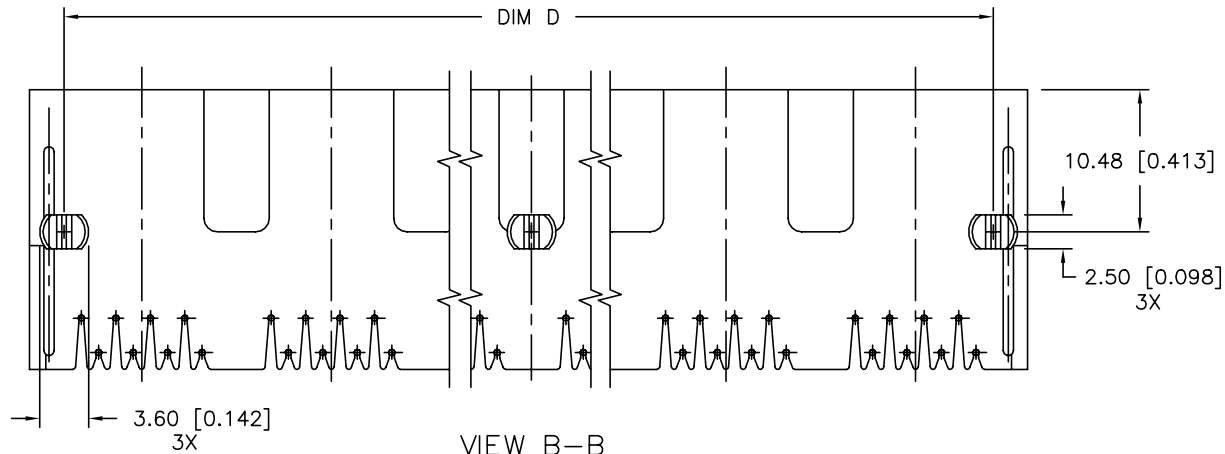


PRODUCT NO.
SEE TABLE



VIEW B-B

-XXXLF PRODUCT ONLY (WITHOUT CENTER PEG - SEE NOTE 4)



VIEW B-B

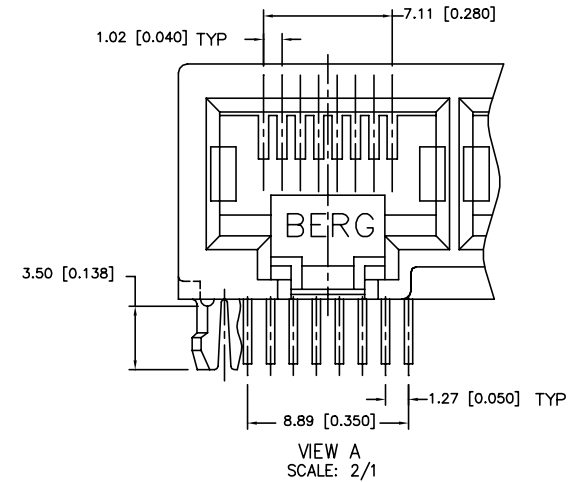
-XXXMLF PRODUCT ONLY (WITH CENTER PEG - SEE NOTE 3)

mat'l. code		surface		tolerance		projection		product family	
		ISO1302		ISO1101 ISO406				MOD JACK	
l trechn nodr		date		tolerances unless otherwise specified		mm		R/A. 8 POS GANG JACK ASSY.	
J	V81304 RGD	7/13/98		0.X±0.3		← mm →		UNSHIELDED, SNAP PEG	
K	N04-0119 MHT	12/9/04		0.XX±0.15		scale 1.0			
L	N08-0100 SH	09/25/08		0.XXX±0.05					
M	N08-0273 SH	12/25/08		dr KCHOU		5/5/94		dwg no sheet3of6 size	
N	ELX-N-011000SH MMD	3/14/12		engr TC		5/5/94		94911 A4	
				chr J.TSAO		5/5/94		type Product Customer Drawing	
				appd J.TSAO		5/5/94			
sheet	revision								
index	sheet								



PRODUCT No.	NO OF PORTS	DIM A $+0.10$ [0.004] -0.20 [0.008]	DIM B	DIM C ± 0.10 [0.004]	DIM D ± 0.15 [0.006]
94911-X01MLF	1	15.24 [0.600]	-----	5.72 [0.225]	11.43 [0.450]
94911-X02MLF	2	30.48 [1.200]	13.97 [0.550]	12.70 [0.500]	25.40 [1.000]
94911-X03MLF	3	44.45 [1.750]	27.94 [1.100]	19.69 [0.775]	39.37 [1.550]
94911-X04MLF	4	58.42 [2.300]	41.91 [1.650]	26.67 [1.050]	53.34 [2.100]
94911-X05MLF	5	72.39 [2.850]	55.88 [2.200]	33.66 [1.325]	67.31 [2.650]
94911-X06MLF	6	86.36 [3.400]	69.85 [2.750]	40.64 [1.600]	81.28 [3.200]
94911-X07MLF	7	100.33 [3.950]	83.82 [3.300]	47.63 [1.875]	95.25 [3.750]
94911-X08MLF	8	114.30 [4.500]	97.79 [3.850]	54.61 [2.150]	109.22 [4.300]
94911-X08LLF	8	114.30 [4.500]	97.79 [3.850]	54.61 [2.150]	109.22 [4.300]
94911-X09MLF	9	128.27 [5.050]	111.76 [4.400]	61.60 [2.425]	123.19 [4.850]
94911-X10MLF	10	142.24 [5.600]	125.73 [4.950]	68.58 [2.700]	137.16 [5.400]
94911-X11MLF	11	156.21 [6.150]	139.70 [5.500]	75.57 [2.975]	151.13 [5.950]
94911-X12MLF	12	170.18 [6.700]	153.67 [6.050]	82.55 [3.250]	165.10 [6.500]

PRODUCT No.	NO OF PORTS	DIM A $+0.10$ [0.004] -0.20 [0.008]	DIM B	DIM C ± 0.10 [0.004]	DIM D ± 0.15 [0.006]
94911-X01LF	1	15.24 [0.600]	-----	5.72 [0.225]	11.43 [0.450]
94911-X02LF	2	30.48 [1.200]	13.97 [0.550]	12.70 [0.500]	25.40 [1.000]
94911-X03LF	3	44.45 [1.750]	27.94 [1.100]	19.69 [0.775]	39.37 [1.550]
94911-X04LF	4	58.42 [2.300]	41.91 [1.650]	26.67 [1.050]	53.34 [2.100]
94911-X05LF	5	72.39 [2.850]	55.88 [2.200]	33.66 [1.325]	67.31 [2.650]
94911-X06LF	6	86.36 [3.400]	69.85 [2.750]	40.64 [1.600]	81.28 [3.200]
94911-X07LF	7	100.33 [3.950]	83.82 [3.300]	47.63 [1.875]	95.25 [3.750]
94911-X08LF	8	114.30 [4.500]	97.79 [3.850]	54.61 [2.150]	109.22 [4.300]
94911-X09LF	9	128.27 [5.050]	111.76 [4.400]	61.60 [2.425]	123.19 [4.850]
94911-X10LF	10	142.24 [5.600]	125.73 [4.950]	68.58 [2.700]	137.16 [5.400]
94911-X11LF	11	156.21 [6.150]	139.70 [5.500]	75.57 [2.975]	151.13 [5.950]
94911-X12LF	12	170.18 [6.700]	153.67 [6.050]	82.55 [3.250]	165.10 [6.500]



NOTES

1. APPLICABLE PC BOARD THICKNESS: 1.60 [0.062].
2. CONTACTS: PHOSPHOR BRONZE ALLOY UNS-C51000, $\phi 460$ [0.0181] ROUND WIRE, SEE TABLE FOR PLATING.
3. CENTER PEG FOR 8 PORTS AND ABOVE, (-XXXMLF PRODUCT ONLY).
4. NO CENTER PEG FOR P/N 94911-008LLF, AND -XXXLF PRODUCT.
5. PART NUMBERS WITH LF IN THE END ARE LEAD FREE.
6. THIS PRODUCT MEETS EUROPEAN UNION DIRECTIVES AND OTHER COUNTRY REGULATION AS DESCRIBED IN GS-22-008.
7. THE HOUSING WITHSTAND EXPOSURE TO 260° PEAK TEMPERATURE FOR 15 SECONDS IN A CONVENTION INFRA-RED OR VAPOR PHASE REFLOW OVEN.
8. EQUIVALENT THICKNESS Au AND GXT PLATING HAVE SAME FUNCTION AND THEY ARE ALTERNATIVE BY THE CUSTOEMR .

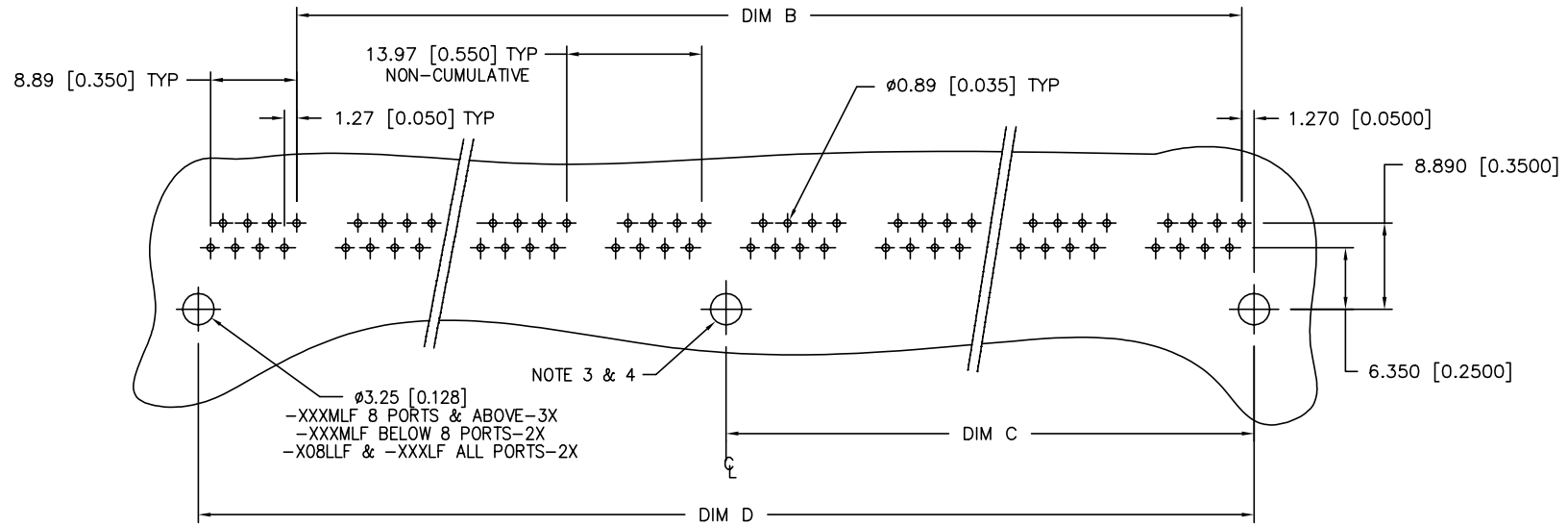
(B)

PLATING CODE X	PLATING
0	5u" Au + high performance lubricant
1	.38uM/15u" GOLD
3	5u" Au + high performance lubricant
5	1.27uM/50u" GOLD

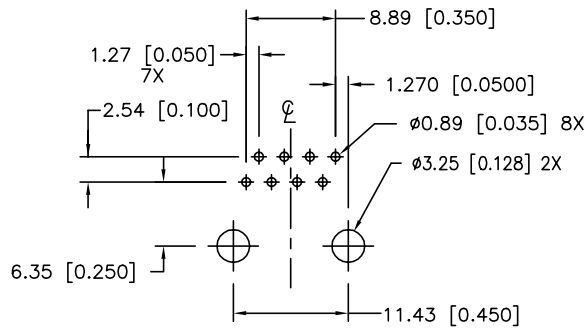
mat'l. code	surface ISO1302 ✓	tolerance ISO1101 ISO406	projection ④	product family MOD JACK
ltr ecn nodr	date	tolerances unless otherwise specified	mm	R/A. 8 POS GANG JACK ASSY. UNSHIELDED, SNAP PEG
J V81304 RGD	7/13/98	0.X±0.3	scale 1.0	
K N04-0119 MHT	12/9/04	0.XX±0.15		
L N08-0100 SH	09/25/08	0.XXX±0.05		
M N08-0273 SH	12/25/08	dr KCHOU	5/5/94	dwg no
N ELX-N-011000 SH MHO	3/14/12	engr TC	5/5/94	sheet 4 of 6
		chr J.TSAO	5/5/94	size A4
		appd J.TSAO	5/5/94	type Product Customer Drawing
sheet index	revision sheet			

PRODUCT NO

SEE TABLE



RECOMMENDED PC BOARD LAYOUT
(2 THRU 12 PORTS)



RECOMMENDED PC BOARD LAYOUT
(1 PORT)

mat'l. code		surface ISO1302 ✓		tolerance ISO1101 ISO406		projection mm		product family MOD JACK		
l trechn nodr		date		tolerances unless otherwise specified		scale 1.0		R/A. 8 POS GANG JACK ASSY. UNSHIELDED, SNAP PEG		
J	V81304	RGD	7/13/98	angle	0.X±0.3			dwg no		
K	N04-0119	MHT	12/9/04	0°±2'	0.XX±0.15			sheet 5 of 6		
L	N08-0100	SH	09/25/08	0°±2'	0.XXX±0.05			size		
M	N08-0273	SH	12/25/08	dr	KCHOU	5/5/94			94911	
N	ELX-N-011000	SH MMD	3/14/12	enr	TC	5/5/94			A4	
				chr	J.TSAO	5/5/94			type	
sheet index		revision sheet		appd		J.TSAO		Product Customer Drawing		

PRODUCT No.	NO OF PORTS	DIM A $+0.10$ [0.004] -0.20 [0.008]	DIM B	DIM C ± 0.10 [0.004]	DIM D ± 0.15 [0.006]
94911-X01MHLF	1	15.24 [0.600]	-----	5.72 [0.225]	11.43 [0.450]
94911-X02MHLF	2	30.48 [1.200]	13.97 [0.550]	12.70 [0.500]	25.40 [1.000]
94911-X03MHLF	3	44.45 [1.750]	27.94 [1.100]	19.69 [0.775]	39.37 [1.550]
94911-X04MHLF	4	58.42 [2.300]	41.91 [1.650]	26.67 [1.050]	53.34 [2.100]
94911-X05MHLF	5	72.39 [2.850]	55.88 [2.200]	33.66 [1.325]	67.31 [2.650]
94911-X06MHLF	6	86.36 [3.400]	69.85 [2.750]	40.64 [1.600]	81.28 [3.200]
94911-X07MHLF	7	100.33 [3.950]	83.82 [3.300]	47.63 [1.875]	95.25 [3.750]
94911-X08MHLF	8	114.30 [4.500]	97.79 [3.850]	54.61 [2.150]	109.22 [4.300]
94911-X08LHLF	8	114.30 [4.500]	97.79 [3.850]	54.61 [2.150]	109.22 [4.300]
94911-X09MHLF	9	128.27 [5.050]	111.76 [4.400]	61.60 [2.425]	123.19 [4.850]
94911-X10MHLF	10	142.24 [5.600]	125.73 [4.950]	68.58 [2.700]	137.16 [5.400]
94911-X11MHLF	11	156.21 [6.150]	139.70 [5.500]	75.57 [2.975]	151.13 [5.950]
94911-X12MHLF	12	170.18 [6.700]	153.67 [6.050]	82.55 [3.250]	165.10 [6.500]

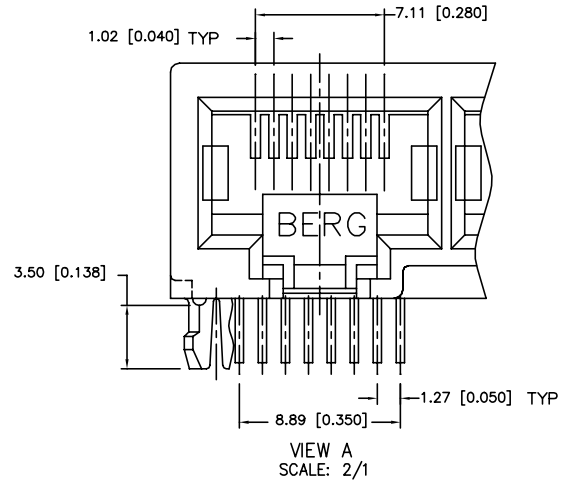
MEETS PIP PROCESS PRODUCT NO.

PRODUCT No.	NO OF PORTS	DIM A $+0.10$ [0.004] -0.20 [0.008]	DIM B	DIM C ± 0.10 [0.004]	DIM D ± 0.15 [0.006]
94911-X01HLF	1	15.24 [0.600]	-----	5.72 [0.225]	11.43 [0.450]
94911-X02HLF	2	30.48 [1.200]	13.97 [0.550]	12.70 [0.500]	25.40 [1.000]
94911-X03HLF	3	44.45 [1.750]	27.94 [1.100]	19.69 [0.775]	39.37 [1.550]
94911-X04HLF	4	58.42 [2.300]	41.91 [1.650]	26.67 [1.050]	53.34 [2.100]
94911-X05HLF	5	72.39 [2.850]	55.88 [2.200]	33.66 [1.325]	67.31 [2.650]
94911-X06HLF	6	86.36 [3.400]	69.85 [2.750]	40.64 [1.600]	81.28 [3.200]
94911-X07HLF	7	100.33 [3.950]	83.82 [3.300]	47.63 [1.875]	95.25 [3.750]
94911-X08HLF	8	114.30 [4.500]	97.79 [3.850]	54.61 [2.150]	109.22 [4.300]
94911-X09HLF	9	128.27 [5.050]	111.76 [4.400]	61.60 [2.425]	123.19 [4.850]
94911-X10HLF	10	142.24 [5.600]	125.73 [4.950]	68.58 [2.700]	137.16 [5.400]
94911-X11HLF	11	156.21 [6.150]	139.70 [5.500]	75.57 [2.975]	151.13 [5.950]
94911-X12HLF	12	170.18 [6.700]	153.67 [6.050]	82.55 [3.250]	165.10 [6.500]

MEETS PIP PROCESS PRODUCT NO.

⑧

PLATING CODE X	PLATING
0	5u" Au + high performance lubricant
1	.38uM/15u" GOLD
3	5u" Au + high performance lubricant
5	1.27uM/50u" GOLD



NOTES

1. APPLICABLE PC BOARD THICKNESS: 1.60 [0.062].
2. CONTACTS: PHOSPHOR BRONZE ALLOY UNS-C51000, ϕ .460 [0.0181] ROUND WIRE, SEE TABLE FOR PLATING.
- ③ CENTER PEG FOR 8 PORTS AND ABOVE, (-XXXMLF PRODUCT ONLY).
- ④ NO CENTER PEG FOR P/N 94911-008LLF, AND -XXXLF PRODUCT.
5. PART NUMBERS WITH LF IN THE END ARE LEAD FREE.
6. THIS PRODUCT MEETS EUROPEAN UNION DIRECTIVES AND OTHER COUNTRY REGULATION AS DESCRIBED IN GS-22-008.
7. THE HOUSING WITHSTAND EXPOSURE TO 260° PEAK TEMPERATURE FOR 15 SECONDS IN A CONVENTION INFRA-RED OR VAPOR PHASE REFLOW OVEN.
- ⑧ EQUIVALENT THICKNESS Au AND GXT PLATING HAVE SAME FUNCTION AND THEY ARE ALTERNATIVE BY THE CUSTOEMR .

mat'l. code		surface <input checked="" type="checkbox"/> ISO1302 <input type="checkbox"/> tolerance <input checked="" type="checkbox"/> ISO1101 <input type="checkbox"/> ISO406		projection	product family
ltr ecn nodr		date		tolerances unless otherwise specified	MOD JACK
J	V81304	RGD	7/13/98	mm	R/A. 8 POS GANG JACK ASSY. UNSHIELDED, SNAP PEG
K	N04-0119	MHT	12/9/04	scale 1.0	
L	N08-0100	SH	09/25/08		dwg no sheet 6 of 6 size
M	N08-0273	SH	12/25/08		
N	ELX-N-011000	SH MMD	3/14/12		94911
sheet index		revision sheet		type Product Customer Drawing	

Mouser Electronics

Authorized Distributor

Click to View Pricing, Inventory, Delivery & Lifecycle Information:

[FCI / Amphenol:](#)

[94911-004MLF](#) [94911-502LF](#) [94911-002MLF](#) [94911-004LF](#) [94911-008MLF](#) [94911-504MLF](#) [94911-508MLF](#)
[94911-302](#) [94911-308](#) [94911-308MLF](#)