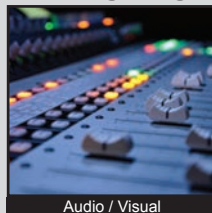


TL6100 SERIES TACT SWITCH

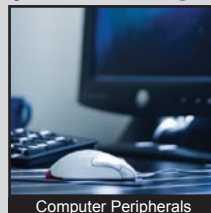
ANTI-VANDAL SWITCHES
 DETECTOR SWITCHES
 DIP SWITCHES
 KEYLOCK SWITCHES
 NAVIGATION SWITCHES
 PUSHBUTTON SWITCHES
 ROCKER SWITCHES
 ROTARY SWITCHES
 SLIDE SWITCHES
 SNAP ACTION SWITCHES
TACTILE SWITCHES
 TOGGLE SWITCHES
 CAP OPTIONS



APPLICATIONS / MARKETS



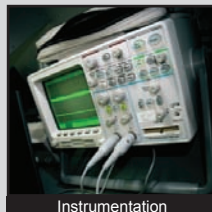
Audio / Visual



Computer Peripherals



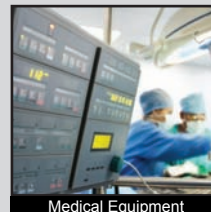
Consumer Electronics



Instrumentation



Telecommunication



Medical Equipment

RoHS

SPECIFICATIONS

Electrical Rating: 50mA @ 12VDC
Life Expectancy: per chart
Contact Resistance: 100mΩ Max. Initial
Insulation Resistance: 100 MΩ Min. at 100VAC
Dielectric Strength: 250VAC for 1 min.
Operating Temperature: -40°C to 85°C
Storage Temperature: -40°C to 85°C
Operating Force: 130 gf, 160 gf, 300 gf, 500 gf
Travel: 0.50mm
Contact Arrangement: SPST

FEATURES & BENEFITS

- Tube packaging
- Multiple operating forces
- Gold or silver contact option
- Multiple actuator lengths
- Process sealed

PART NUMBER CONFIGURATOR

Series	Actuator Options	Operating Force	Contact Plating	Termination
<input type="text" value="TL"/> <input type="text" value="6"/> <input type="text" value="1"/> <input type="text" value="0"/> <input type="text" value="0"/> <input type="text" value="0"/>	<input type="text" value="A"/> <input type="text" value="B"/> <input type="text" value="C"/> <input type="text" value="D"/>	<input type="text" value="F"/> <input type="text" value="1"/> <input type="text" value="3"/> <input type="text" value="0"/> <input type="text" value="0"/>	<input type="text" value="Q"/> <input type="text" value="R"/>	<input type="text" value="P"/>
TL6100	A - 4.70mm B - 5.20mm C - 6.90mm D - 10.0mm	F130 - 130 gf F160 - 160 gf F300 - 300 gf F500 - 500 gf	Q - Silver R - Gold	P - PCB Pins

Actuation Force	Life Cycles
130 gf	1,000,000
160 gf	1,000,000
300 gf	500,000
500 gf	200,000

Specifications subject to change without notice



E-SWITCH®

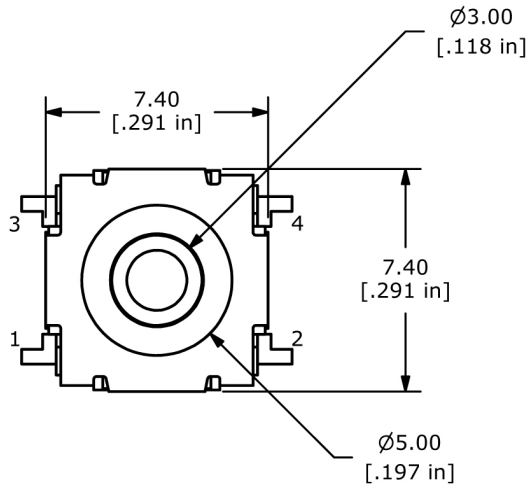
www.e-switch.com

800.867.2717

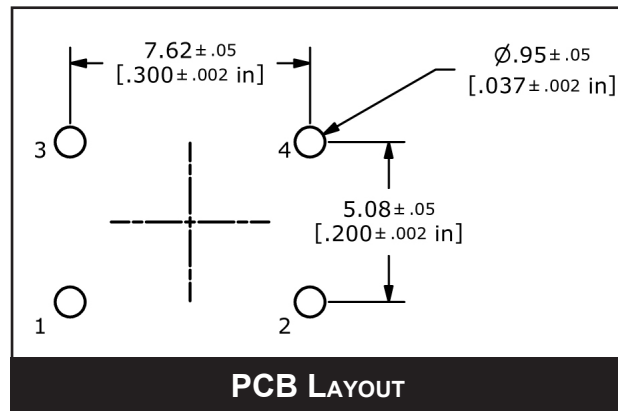
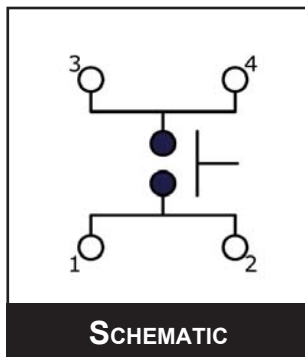
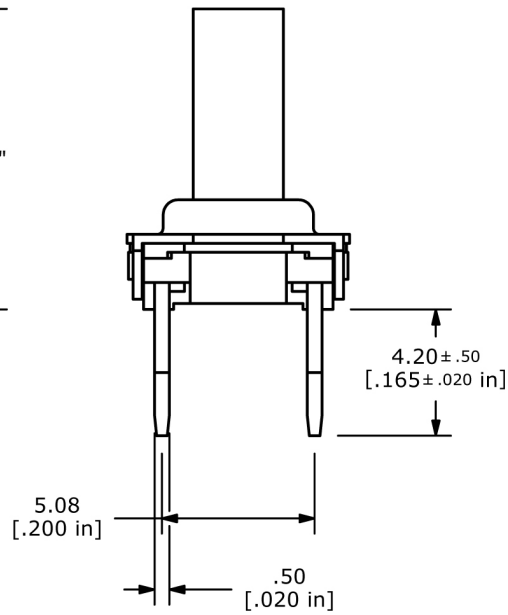
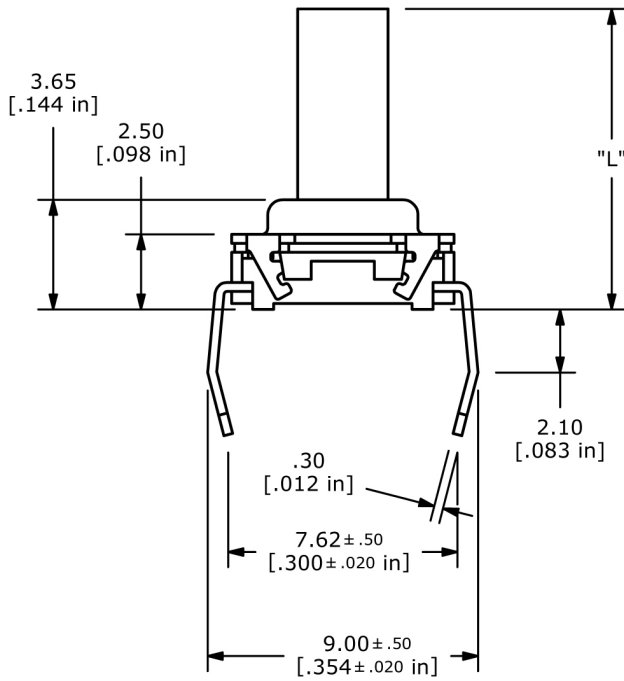
2

TL6100 SERIES TACT SWITCH

BODY DIMENSIONS



Actuator	"L" Dimension
A	4.70
B	5.20
C	6.90
D	10.00



Mouser Electronics

Authorized Distributor

Click to View Pricing, Inventory, Delivery & Lifecycle Information:

E-Switch:

[TL6100AF130QP](#) [TL6100AF160QP](#) [TL6100AF300QP](#) [TL6100BF130QP](#) [TL6100BF160QP](#) [TL6100BF300QP](#)
[TL6100BF300RP](#) [TL6100CF130QP](#) [TL6100CF160QP](#) [TL6100CF300QP](#) [TL6100DF130QP](#) [TL6100DF160QP](#)
[TL6100DF300QP](#)