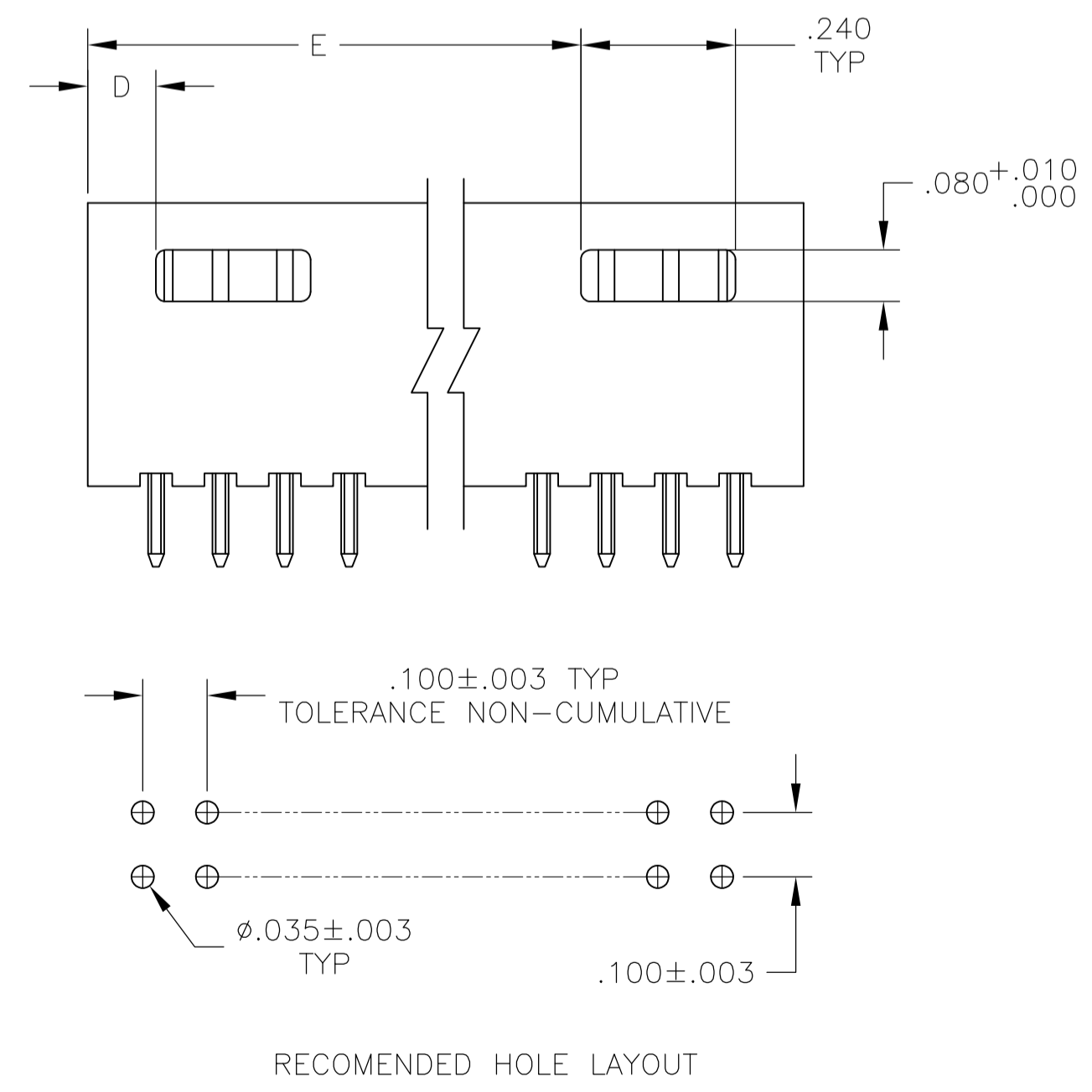
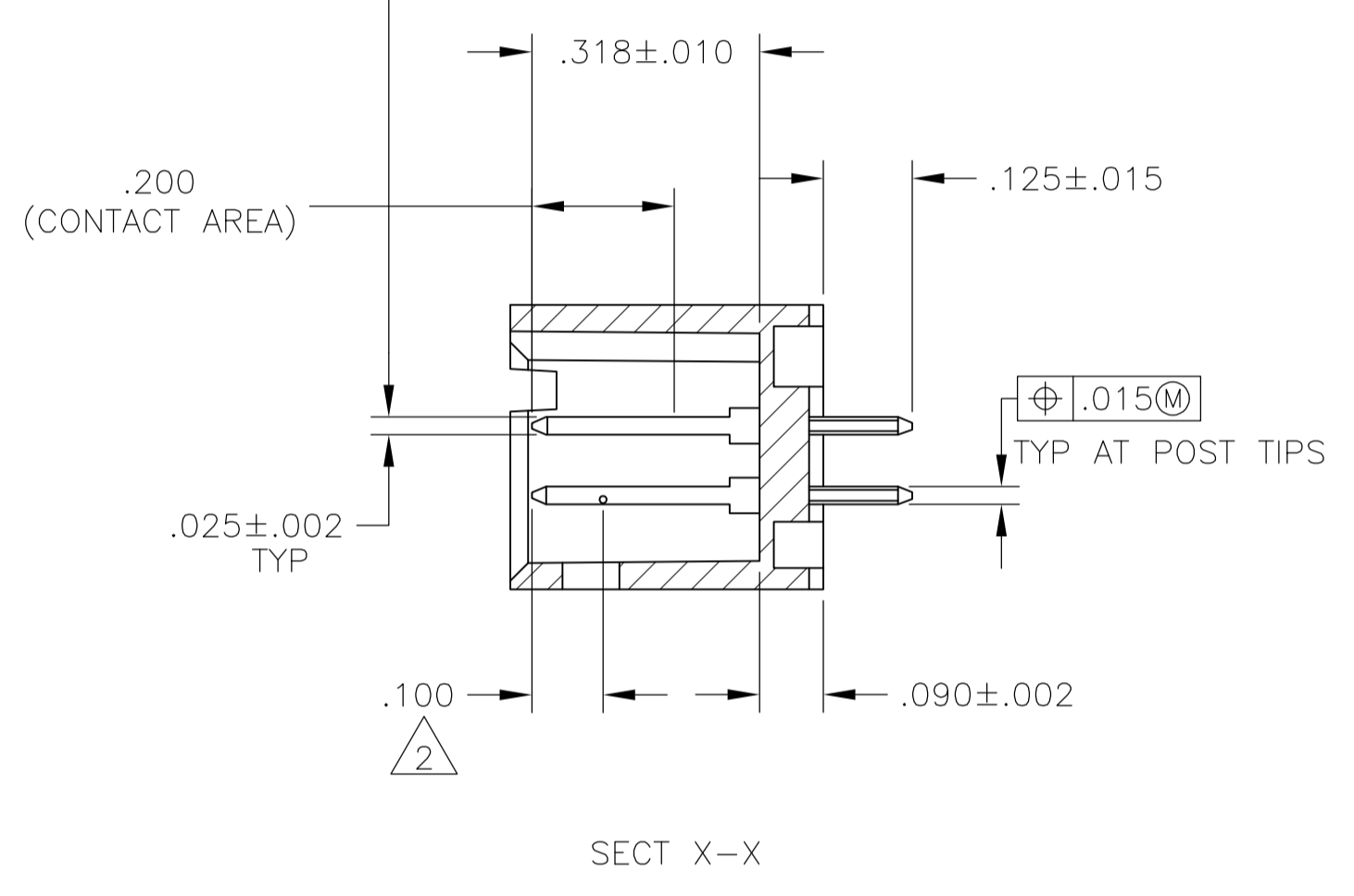
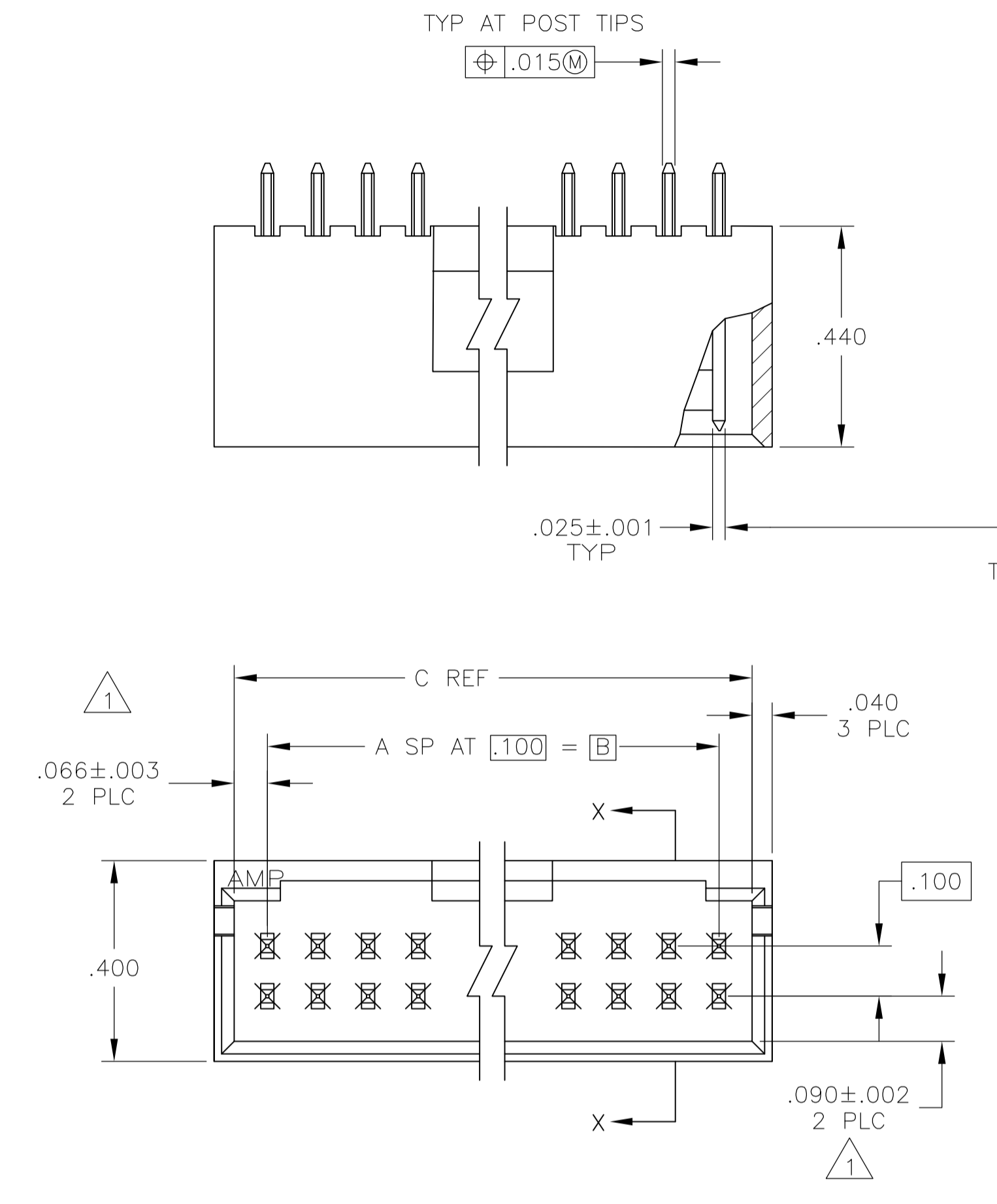


LOC		DIST		REVISIONS				
AD	00	F	LTR	DESCRIPTION	DATE	OWN	APVD	
L2	REVISED	PER	ECO-11-004587		11MAR11	RK	HMR	

- 1 THE NOTED DIMENSIONS APPLY AT THE INTERSECTION OF THE POST AND HOUSING
- 2 POINT OF MEASUREMENT FOR PLATING THICKNESS
- 3 FINISH: POSTS: .000015 GOLD IN CONTACT AREA, .000100-.000200 MATTE TIN-LEAD ON SOLDER TAIL, ALL OVER .000050 NICKEL
- 4 FINISH: POSTS: .000015 GOLD IN CONTACT AREA, .000100-.000200 MATTE TIN ON SOLDER TAIL, ALL OVER .000050 NICKEL
- 5 MATERIALS: HOUSING- FLAME RETARDANT THERMOPLASTIC, COLOR-BLACK POSTS- PHOS BRONZE
- 6 OBSOLETE PARTS: OBSOLETE CIS STREAMLINING PER D.RENAUD/D.SINISI



REV	QTY	DESCRIPTION	DATE	OWN	APVD	NO. OF POSN		ASSEMBLY PART NUMBER
						E	D	
8	5	8-102618-5				36	74	8-102618-5
8	4	8-102618-4				35	72	8-102618-4
8	3	8-102618-3				34	70	8-102618-3
8	2	8-102618-2				33	68	8-102618-2
8	1	8-102618-1				32	66	8-102618-1
8	0	8-102618-0				31	64	8-102618-0
7	9	7-102618-9				30	62	7-102618-9
7	8	7-102618-8				29	60	7-102618-8
7	7	7-102618-7				28	58	7-102618-7
7	6	7-102618-6				27	56	7-102618-6
7	5	7-102618-5				26	54	7-102618-5
7	4	7-102618-4				25	52	7-102618-4
7	3	7-102618-3				24	50	7-102618-3
7	2	7-102618-2				23	48	7-102618-2
7	1	7-102618-1				22	46	7-102618-1
7	0	7-102618-0				21	44	7-102618-0
6	9	6-102618-9				20	42	6-102618-9
6	8	6-102618-8				19	40	6-102618-8
6	7	6-102618-7				18	38	6-102618-7
6	6	6-102618-6				17	36	6-102618-6
6	5	6-102618-5				16	34	6-102618-5
6	4	6-102618-4				15	32	6-102618-4
6	3	6-102618-3				14	30	6-102618-3
6	2	6-102618-2				13	28	6-102618-2
6	1	6-102618-1				12	26	6-102618-1
6	0	6-102618-0				11	24	6-102618-0
5	9	5-102618-9				10	22	5-102618-9
5	8	5-102618-8				9	20	5-102618-8
5	7	5-102618-7				8	18	5-102618-7
5	6	5-102618-6				7	16	5-102618-6
5	5	5-102618-5				6	14	5-102618-5
5	4	5-102618-4				5	12	5-102618-4
5	3	5-102618-3				4	10	5-102618-3
5	2	5-102618-2				3	8	5-102618-2
5	1	5-102618-1				2	6	5-102618-1
3	5	3-102618-5				36	74	3-102618-5
3	4	3-102618-4				35	72	3-102618-4
3	3	3-102618-3				34	70	3-102618-3
3	2	3-102618-2				33	68	3-102618-2
3	1	3-102618-1				32	66	3-102618-1
3	0	3-102618-0				31	64	3-102618-0
2	9	2-102618-9				30	62	2-102618-9
2	8	2-102618-8				29	60	2-102618-8
2	7	2-102618-7				28	58	2-102618-7
2	6	2-102618-6				27	56	2-102618-6
2	5	2-102618-5				26	54	2-102618-5
2	4	2-102618-4				25	52	2-102618-4
2	3	2-102618-3				24	50	2-102618-3
2	2	2-102618-2				23	48	2-102618-2
2	1	2-102618-1				22	46	2-102618-1
2	0	2-102618-0				21	44	2-102618-0
1	9	1-102618-9				20	42	1-102618-9
1	8	1-102618-8				19	40	1-102618-8
1	7	1-102618-7				18	38	1-102618-7
1	6	1-102618-6				17	36	1-102618-6
1	5	1-102618-5				16	34	1-102618-5
1	4	1-102618-4				15	32	1-102618-4
1	3	1-102618-3				14	30	1-102618-3
1	2	1-102618-2				13	28	1-102618-2
1	1	1-102618-1				12	26	1-102618-1
1	0	1-102618-0				11	24	1-102618-0
5	9	5-102618-9				10	22	5-102618-9
5	8	5-102618-8				9	20	5-102618-8
5	7	5-102618-7				8	18	5-102618-7
5	6	5-102618-6				7	16	5-102618-6
5	5	5-102618-5				6	14	5-102618-5
5	4	5-102618-4				5	12	5-102618-4
5	3	5-102618-3				4	10	5-102618-3
5	2	5-102618-2				3	8	5-102618-2
5	1	5-102618-1				2	6	5-102618-1
PLATING	E	D	C	B	A	NO. OF POSN	ASSEMBLY PART NUMBER	

△ SUP BY 5-102618-9

THIS DRAWING IS A CONTROLLED DOCUMENT.

DIMENSIONS IN INCHES

TOLERANCES UNLESS OTHERWISE SPECIFIED:

0 PLC	± .005
1 PLC	± .005
2 PLC	± .005
3 PLC	± .005
4 PLC	± .005
ANGLES	± .005

MATERIAL: 5 SEE TABLE

APPROVED: LA MAYER 4-9-87

DATE: 4-9-87

NAME: R. FEIDT

APPLICATION SPEC

SIZE: A1

WEIGHT: 00779

RESTRICTED CUSTOMER

SCALE: 4:1

SHEET 1 OF 1

REV L2

STE TE Connectivity

HDR ASSY, MOD II, SHROUDED, 4 SIDES, DBL ROW, VERTICAL, .100X.100 C/L, WITH .025 SQ POSTS

Mouser Electronics

Authorized Distributor

Click to View Pricing, Inventory, Delivery & Lifecycle Information:

[TE Connectivity:](#)

[5-102618-1](#)