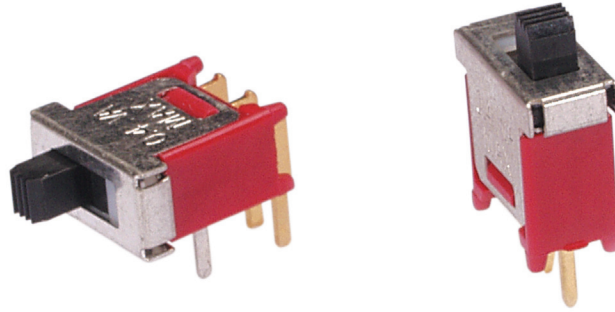


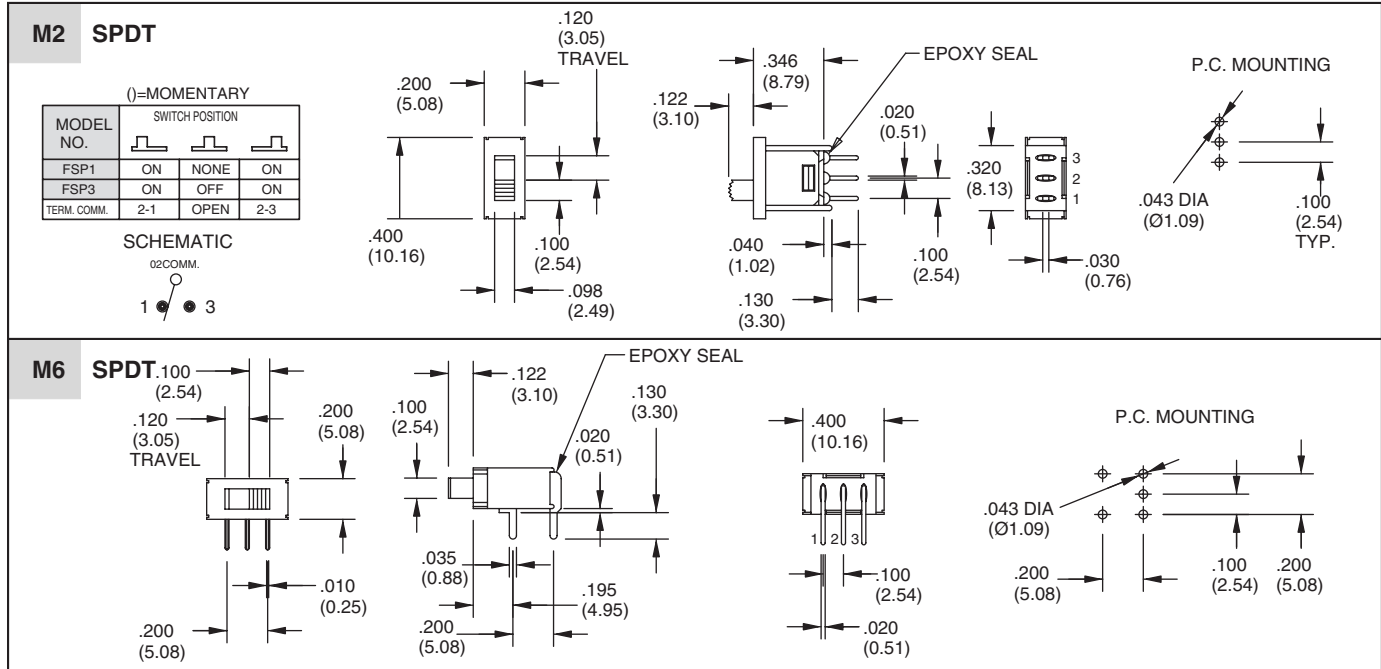
SERIES 48B Sub-Miniature Slide Switches

FEATURES

- Save Space and Weight
- SPDT Circuitry
- Choice of Terminations



MODEL AND TERMINATION OPTIONS in inches (and millimeters)



SPECIFICATIONS

RATINGS

Contact Rating: Q option - 3A with resistive load @ 125 VAC or 28 VDC; 1.5A with resistive load @ 250 VAC. R option - 0.4 VA max @ 20 Vmax (AC or DC)

Electrical Life: 30,000 make-and-break cycles at full load

Contact Resistance: 10 milliohms max. initial @ 2-4 VDC, 100 mA

Insulation Resistance: 1,000 megaohms min

Dielectric Strength: 1,000 V RMS @ sea level

Operating Temperature: -30°C to 85°C

MATERIALS

Case: Diallyl phthalate (DAP) (UL94V-0)

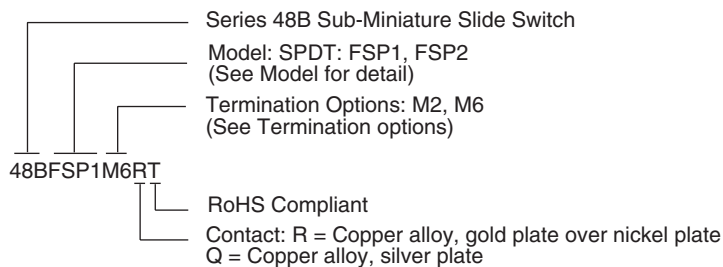
Housing: Stainless steel

Switch Handle: Nylon

Terminal/Contacts: Copper alloy with gold or silver plate

Terminal Seal: Epoxy

ORDERING INFORMATION



Available from your local Grayhill Component Distributor. For prices and discounts, contact a local Sales Office, an authorized local Distributor or Grayhill.

Mouser Electronics

Authorized Distributor

Click to View Pricing, Inventory, Delivery & Lifecycle Information:

Grayhill:

[48BFSP1M6QT](#) [48BFSP1M6RT](#) [48BFSP1M2RT](#) [48BFSP1M2QT](#) [48BFSP3M2QT](#)