

TLV320AIC1103/1110EVM-K

This user's guide describes the characteristics, operation, and use of evaluation modules TLV320AIC1103/1110EVM-K. A complete circuit description, schematic diagram and bill of materials are also included.

Throughout this document, TLV320AIC11xxEVM refers to TLV320AIC1103/1110EVM-K.

Related documents are available through the Texas Instruments web site at www.ti.com.

Contents

1	EVM Overview	3
2	Analog Interface	3
3	Digital Interface	4
4	Power Supplies	6
5	EVM Operation	6
6	Kit Operation	7
7	EVM Bill of Materials	24
Appendix A	TLV320AIC11xxEVM Schematic	27
Appendix B	USB-MODEVM Schematic	28

List of Figures

1	TLV320AIC11xxEVM-K Block Diagram	8
2	Device Selection Window	10
3	Default Software Screen.....	11
4	Information Tab	12
5	Sounds and Audio Devices Properties	13
6	Preset Configurations	14
7	Device Controls Tab	15
8	Command Line Interface Tab	16
9	File Menu	17
10	Help	17

List of Tables

1	Analog Interface Pinout	3
2	Alternate Analog Connectors	4
3	Digital Interface Pinout	4
4	Power Supply Pinout	6
5	List of Jumpers	7
6	USB-MODEVM SW2 Settings.....	9
7	USB Control Endpoint HIDSETREPORT Request.....	17
8	Data Packet Configuration	19
9	GPIO Pin Assignments	21

SMARTDM is a trademark of Texas Instruments.
 I²C is a trademark of Koninklijke Philips Electronics N.V.
 Windows is a registered trademark of Microsoft Corporation.
 LabView is a trademark of National Instruments.

10	TLV320AIC11xxEVM Bill of Materials	24
11	USB-MODEVM Bill of Materials	25

1 EVM Overview

1.1 Features

- Full-featured evaluation board for the TLV320AIC11xx audio codec
- TLV320AIC11xxEVM-K features USB connectivity for quick and easy setup.
- Intuitive evaluation software
- Easy interfacing to multiple analog sources
- Analog output signals from the TLV320AIC11xx are available on top and bottom connectors.
- External microphone jack and electric microphone are included
- Digital control signals can be applied directly to top and bottom connectors.

1.2 Introduction

The TLV320AIC11xxEVM-K is a complete evaluation/demonstration kit, which includes a USB-based motherboard called the USB-MODEVM Interface board and evaluation software for use with a personal computer running Microsoft Windows® XP operating systems only. Provisions are made for connecting all audio inputs and outputs either from the modular connectors or with on-board terminals and external microphone jack. An on-board electret microphone is also provided.

2 Analog Interface

For maximum flexibility, the TLV320AIC11xxEVM is designed for easy interfacing to multiple analog sources. Samtec part numbers SSW-110-22-F-D-VS-K and TSM-110-01-T-DV-P provide a convenient 10-pin dual row header/socket combination. These headers/sockets provide access to the analog input and output pins of the device. Consult Samtec at www.samtec.com or call 1-800-SAMTEC-9 for a variety of mating connector options. [Table 1](#) summarizes the analog interface pinout for the TLV320AIC11xxEVM.

Table 1. Analog Interface Pinout

PIN NUMBER	SIGNAL	DESCRIPTION
1.01	EAR1ON	DAC Inverting output
1.02	EAR1OP	DAC Noninverting output
1.03	NC	Not Connected
1.04	EAR2O	DAC Single-Ended Output
1.05	NC	Not Connected
1.06	NC	Not Connected
1.07	NC	Not Connected
1.08	NC	Not Connected
1.09	AGND	Analog Ground
1.10	NC	Not Connected
1.11	AGND	Analog Ground
1.12	NC	Not Connected
1.13	AGND	Analog Ground
1.14	NC	Not Connected
1.15	NC	Not Connected
1.16	NC	Not Connected
1.17	AGND	Analog Ground
1.18	NC	Not Connected
1.19	AGND	Analog Ground
1.20	NC	Not Connected
2.01	MIC2N	ADC Inverting Input
2.02	MIC2P	ADC Noninverting Input
2.03	NC	Not Connected

Table 1. Analog Interface Pinout (continued)

PIN NUMBER	SIGNAL	DESCRIPTION
2.04	NC	Not Connected
2.05	NC	Not Connected
2.06	NC	Not Connected
2.07	MIC1N	ADC Inverting Input
2.08	MIC1P	ADC Noninverting Input
2.09	AGND	Analog Ground
2.10	NC	Not Connected
2.11	AGND	Analog Ground
2.12	NC	Not Connected
2.13	AGND	Analog Ground
2.14	NC	Not Connected
2.15	NC	Not Connected
2.16	NC	Not Connected
2.17	AGND	Analog Ground
2.18	NC	Not Connected
2.19	AGND	Analog Ground
2.20	NC	Not Connected

In addition to the analog headers, the analog inputs and outputs may also be accessed through alternate connectors, either screw terminals or audio jacks. The microphone input is tied to J9. [Table 2](#) summarizes the screw terminals available on the TLV320AIC11xxEVM.

Table 2. Alternate Analog Connectors

DESIGNATOR	PIN 1	PIN 2
J6	EAR1ON	EAR1OP
J7	EAR2O	AGND
J9	MIC1N	MIC1P
J10	MIC2N	MIC2P

3 Digital Interface

The TLV320AIC11xxEVM is designed to easily interface with multiple control platforms. Samtec part numbers SSW-110-22-F-D-VS-K and TSM-110-01-T-DV-P provide a convenient 10-pin dual row header/socket combination. These headers/sockets provide access to the digital control and serial data pins of the device. Consult Samtec at www.samtec.com or call 1-800-SAMTEC-9 for a variety of mating connector options. [Table 3](#) summarizes the digital interface pinout for the TLV320AIC11xxEVM.

Table 3. Digital Interface Pinout

PIN NUMBER	SIGNAL	DESCRIPTION
J4.1	NC	Not Connected
J4.2	NC	Not Connected
J4.3	NC	Not Connected
J4.4	DGND	Digital Ground
J4.5	NC	Not Connected
J4.6	NC	Not Connected
J4.7	NC	Not Connected
J4.8	RESET	Reset signal input
J4.9	NC	Not Connected
J4.10	DGND	Digital Ground

Table 3. Digital Interface Pinout (continued)

PIN NUMBER	SIGNAL	DESCRIPTION
J4.11	NC	Not Connected
J4.12	NC	Not Connected
J4.13	NC	Not Connected
J4.14	RESET	Reset signal input
J4.15	NC	Not Connected
J4.16	NC	Not Connected
J4.17	NC	Not Connected
J4.18	DGND	Digital Ground
J4.19	NC	Not Connected
J4.20	NC	Not Connected
J5.1	NC	Not Connected
J5.2	NC	Not Connected
J5.3	SCLK	Audio Serial Data Shift Clock (Input/Output)
J5.4	DGND	Digital Ground
J5.5	NC	Not Connected
J5.6	NC	Not Connected
J5.7	FS_1	Audio Serial Data Bus Frame Sync (Input/Output)
J5.8	NC	Not Connected
J5.9	NC	Not Connected
J5.10	DGND	Digital Ground
J5.11	DIN	Audio Serial Data Bus Data Input (Input)
J5.12	NC	Not Connected
J5.13	DOUT	Audio Serial Data Bus Data Output (Output)
J5.14	NC	Not Connected
J5.15	NC	Not Connected
J5.16	SCL	I ² C Serial Clock
J5.17	MCLK	Master Clock Input
J5.18	DGND	Digital Ground
J5.19	NC	Not Connected
J5.20	SDA	I ² C Serial Data Input/Output

Note that J5 comprises the signals needed for a SMARTDM™ serial digital audio interface and I²C™ signals. The reset and power down (RESET and PWRDN) signals are routed to J4. I²C™ is actually routed from the USB-MODEVM to both connectors; however, the codec and EEPROM are only connected to J5.

4 Power Supplies

J3 provides connection to the common power bus for the TLV320AIC11xxEVM. Power is supplied on the pins listed in [Table 4](#).

Table 4. Power Supply Pinout

SIGNAL	PIN NUMBER		SIGNAL
NC	J3.1	J3.2	NC
+5VA	J3.3	J3.4	NC
DGND	J3.5	J3.6	AGND
NC	J3.7	J3.8	NC
IOVDD (3.3V)	J3.9	J3.10	NC

The TLV320AIC11xxEVM-K motherboard (the USB-MODEVM Interface board) supplies power to J3 of the TLV320AIC11xxEVM. Power for the motherboard is supplied either through its USB connection or via terminal blocks on that board.

4.1 Stand-Alone Operation

When used as a stand-alone EVM, power can be applied to J3 directly. The user must be sure to reference the supplies to the appropriate grounds on that connector.

CAUTION

Verify that all power supplies are within the safe operating limits shown on the product datasheet before applying power to the EVM.

4.2 USB-MODEVM Interface Power

The USB-MODEVM Interface board can be powered from several different sources:

- USB
- 6VDC–10VDC AC/DC external wall supply (not included)
- Lab power supply

When powered from the USB connection, JMP6 should have a shunt from pins 1–2 (this is the default factory configuration). When powered from 6V-10VDC, either through the J8 terminal block or the J9 barrel jack, JMP6 should have a shunt installed on pins 2-3. If power is applied in any of these ways, onboard regulators generate the required supply voltages and no further power supplies are necessary.

If lab supplies are used to provide the individual voltages required by the USB-MODEVM Interface, JMP6 should have no shunt installed. Voltages are then applied to J2 (+5VA), J3 (+5VD), J4 (+1.8VD), and J5 (+3.3VD). The +1.8VD and +3.3VD can also be generated on the board by the onboard regulators from the +5VD supply; to enable this configuration, the switches on SW1 need to be set to enable the regulators by placing them in the ON position (lower position, looking at the board with text reading right-side up). If +1.8VD and +3.3VD are supplied externally, disable the onboard regulators by placing SW1 switches in the OFF position.

Each power supply voltage has an LED (D1-D7) that lights when the power supplies are active.

5 EVM Operation

This section provides information on the analog input and output, digital control, and general operating conditions for the TLV320AIC11xxEVM.

5.1 Analog Input

The analog input sources can be applied directly to J2 (top or bottom side). The analog inputs may also be accessed through J8 and screw terminals J9 and J10.

5.2 Analog Output

The analog outputs from the TLV320AIC11xx are available on J1 (top or bottom). They also may be accessed through J6 or J7.

5.3 Digital Control

The digital control signals can be applied directly to J4 and J5 (top or bottom side). The modular TLV320AIC11xxEVM can also be connected directly to the USB-MODEVM Interface board included as part of the TLV320AIC11xxEVM-K.

5.4 Default Jumper Locations

Table 5 lists the jumpers found on the EVM and their respective factory default conditions.

Table 5. List of Jumpers

JUMPER	DEFAULT POSITION	JUMPER DESCRIPTION
W1	Not Installed	Coupling for EAR1. Either directly or via capacitor
W2	Not Installed	Coupling for EAR2. Either directly or via capacitor
W3	Installed	Provides a means of measuring AVDD and EARVDD current
W4	Installed	Connects MIC1N to MBIAS through a resistor
W5	Installed	Connects MIC2N to MBIAS through a resistor
W6	Installed	Connects on-board microphone to circuit
W7	Installed	Connects J9 to circuit
W8	Installed	Connects external mic source to ground through a resistor
W9	Installed	Selects on-board EEPROM as firmware source (required)
W10	Installed	Provides a means of measuring DVDD current
W11	Installed	Provides a means of measuring PLLVDD current
W12	1-2	Sets PWRUPSEL mode
W13	Installed	When installed, allows the USB-MODEVM to hardware reset the device under user control

6 Kit Operation

This section provides information on using the TLV320AIC11xxEVM-K, including set up, program installation, and program usage.

6.1 TLV320AIC11xxEVM-K Block Diagram

A block diagram of the TLV320AIC11xxEVM-K is shown in Figure 1. The evaluation kit consists of two circuit boards connected together. The motherboard is designated as the USB-MODEVM Interface board, while the daughtercard is the TLV320AIC11xxEVM described previously in this manual.

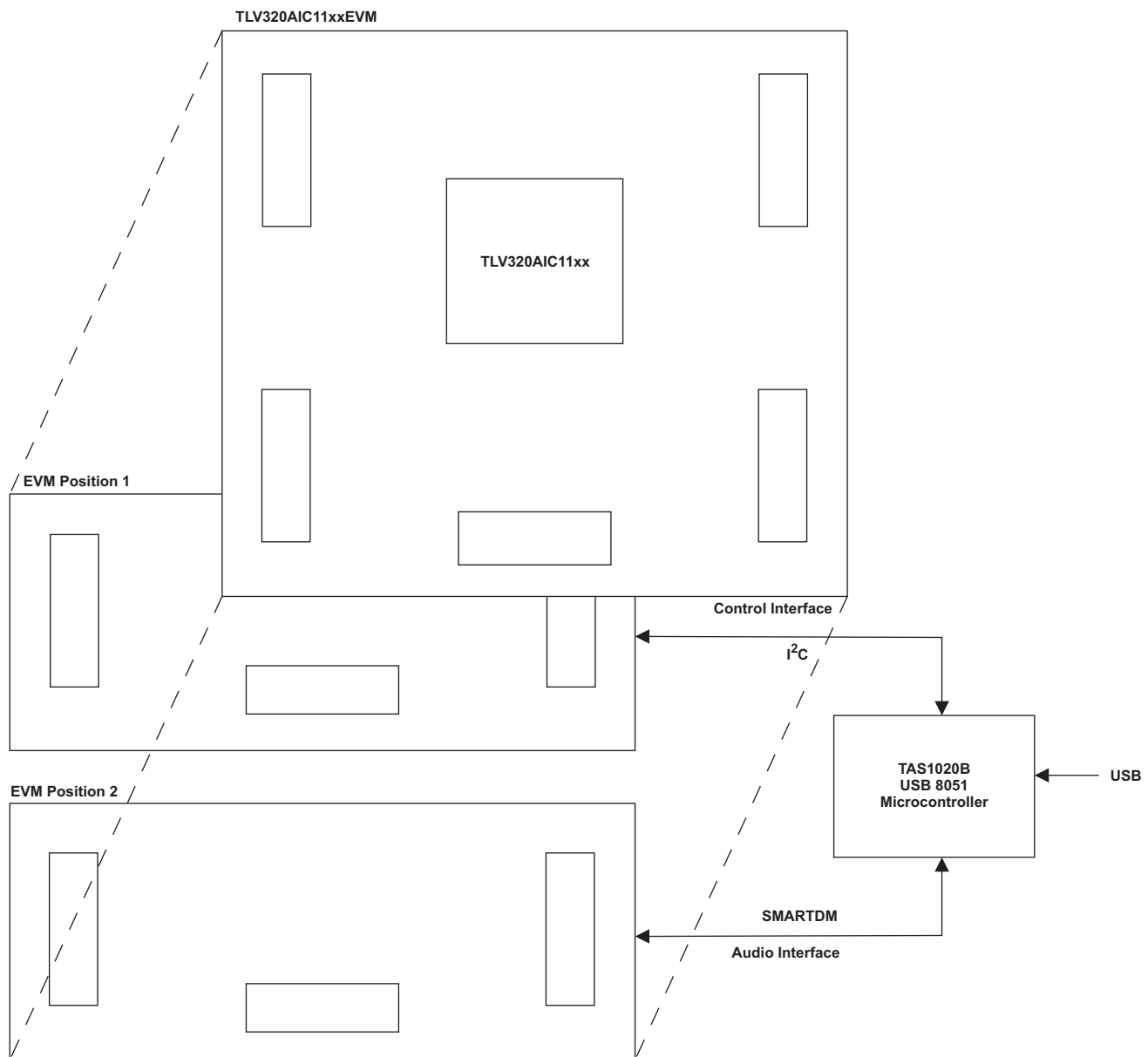


Figure 1. TLV320AIC11xxEVM-K Block Diagram

The USB-MODEVM Interface board is intended to be used in USB mode, where control of the installed EVM is accomplished using the onboard USB controller device. Provision is made, however, for driving all the data buses (I²C, PCM/ SMARTDM™) externally. The source of these signals is controlled by SW2 on the USB-MODEVM. Refer to [Table 6](#) for details on the switch settings.

Additionally, SW3 on the USB-MODEVM (IOVDD SELECT) must be set up to 3.3V (SW3 position 1 on, SW3 positions 2-8 off).

Table 6. USB-MODEVM SW2 Settings

SW-2 SWITCH NUMBER	LABEL	SWITCH DESCRIPTION
1	A0	USB-MODEVM EEPROM I ² C Address A0 ON: A0 = 0 OFF: A0 = 1
2	A1	USB-MODEVM EEPROM I ² C Address A1 ON: A1 = 0 OFF: A1 = 1
3	A2	USB-MODEVM EEPROM I ² C Address A2 ON: A2 = 0 OFF: A2 = 1
4	USB I ² S	Digital Audio Bus Source Selection ON: Digital Audio Bus connects to TAS1020 OFF: Digital Audio Bus connects to USB-MODEVM J14
5	USB MCK	Digital Audio Bus MCLK Source Selection ON: MCLK connects to TAS1020 OFF: MCLK connects to USB-MODEVM J14
6	USB SPI	SPI Bus Source Selection ON: SPI Bus connects to TAS1020 OFF: SPI Bus connects to USB-MODEVM J15
7	USB RST	RST Source Selection ON: EVM Reset Signal comes from TAS1020 OFF: EVM Reset Signal comes from USB-MODEVM J15
8	EXT MCK	External MCLK Selection ON: MCLK Signal is provided from USB-MODEVM J10 OFF: MCLK Signal comes from either selection of SW2-5

For use with the TLV320AIC11xxEVM, SW-2 positions 1, 3, 4, 5 and 6 should be set to ON, while SW-2 positions 2, 7 and 8 should be set to OFF.

6.2 Installation

Ensure that the TLV320AIC11xxEVM is installed on the USB-MODEVM Interface board, aligning J1, J2, J3, J4, J5 with the corresponding connectors on the USB-MODEVM.

Go to www.ti.com and type AIC11xx (where xx corresponds to the device under evaluation) on the "Search by Part Number" field. Locate the "EVM-K" product folder and download the software. Once downloaded, unzip and locate the Setup program, and start it. The Setup program will install the TLV320AIC11xx Evaluation Tool software on your PC.

The NI-VISA Runtime installer is embedded to the TLV320AIC11xx Evaluation Tool installer. This software allows the program to communicate with the USB-MODEVM.

When the installation completes, click *Finish* on the TLV320AIC11xx Evaluation Tool installer window. You may be prompted to restart your computer.

When installation is complete, attach a USB cable from your PC to the USB-MODEVM Interface board. As configured at the factory, the board will be powered from the USB interface, so the power indicator LEDs and the 'USB ACTIVE' LED on the USB-MODEVM should light.

The **Found New Hardware Wizard** will show up on the screen. Select the '**No, not this time**' radio button and click '**Next >**'. Select '**Install the software automatically (Recommended)**' and click '**Next >**'. If the driver installs correctly the message: '**The wizard has finished installing the software for: USB-MODEVM**' should appear. Click '**Finish**'. The USB-MODEVM driver should now be installed. The device should now appear on the Device Manager as '**NI-VISA USB Devices>USB-MODEVM**' and as '**Sound, video and game controllers>USB Audio Device**'.

Once the device drivers are installed launch the TLV320AIC11xx Evaluation Tool software on your PC, located on the computer's desktop or in 'Start>Programs>Texas Instruments'.

The software should automatically find the TLV320AIC11xx, and a screen similar to the one in [Figure 2](#) should appear. Select the appropriate device in this screen.

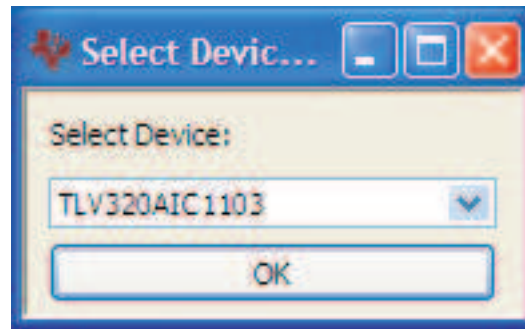


Figure 2. Device Selection Window

6.3 USB-MODEVM Interface Board

The simple diagram shown in [Figure 1](#) shows only the basic features of the USB-MODEVM Interface board. The board is built around a TAS1020B streaming audio USB controller with an 8051-based core. The board features two positions for modular EVMs, or one double-wide serial modular EVM may be installed.

Since the TLV320AIC11xxEVM is a double-wide modular EVM, it is installed with connections to both EVM positions, which connects the TLV320AIC11xx digital control interface to the I²C port realized using the TAS1020B, as well as the TAS1020B digital audio interface.

In the factory configuration, the board is ready to use with the TLV320AIC11xxEVM. To view all the functions and configuration options available on the USB-MODEVM board, see the USB-MODEVM Interface Board schematic in [Appendix B](#).

6.4 Program Description

After the TLV320AIC11xxEVM software installation (described in [Section 6.2](#)) is complete, evaluation and development with the TLV320AIC11xx can begin.

6.5 Indicators and Main Screen Controls

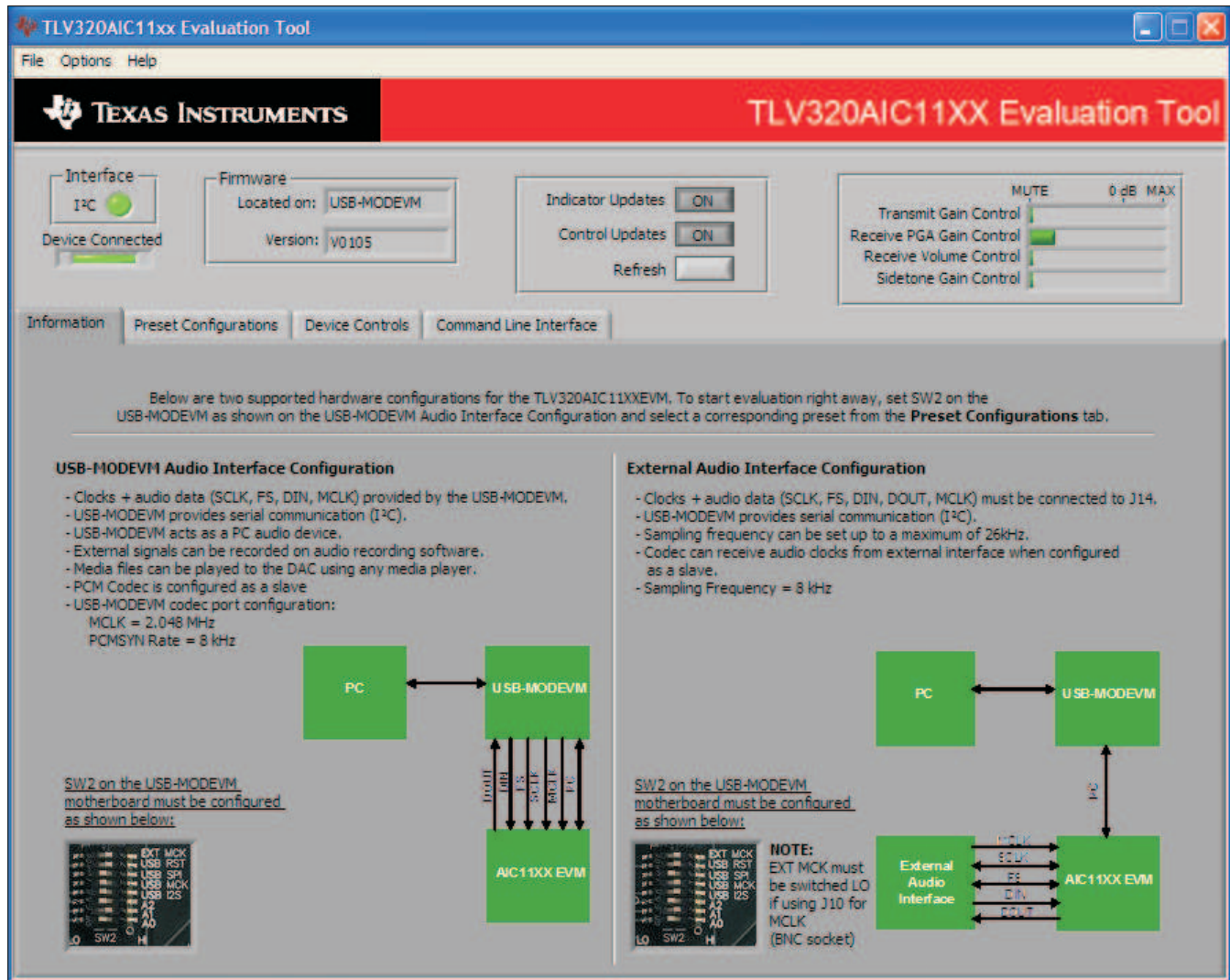


Figure 3. Default Software Screen

Figure 3 illustrates the indicators and the main screen controls near the top of the software screen display, and a large tabbed interface below. This section discusses the controls above this tabbed section.

At the top left of the screen is an **Interface** indicator. The TLV320AIC11xx has an I²C interface. The indicator is lit after the program begins. Below the Interface indicator is the **Device Connected** indicator. The TLV320AIC11xx Evaluation Tool detects whether or not the TLV320AIC11xxEVM-K is present. If the device is unplugged from the USB port or if the device driver is not installed properly, the **Device Connected** indicator will turn red. Otherwise, it will turn green.

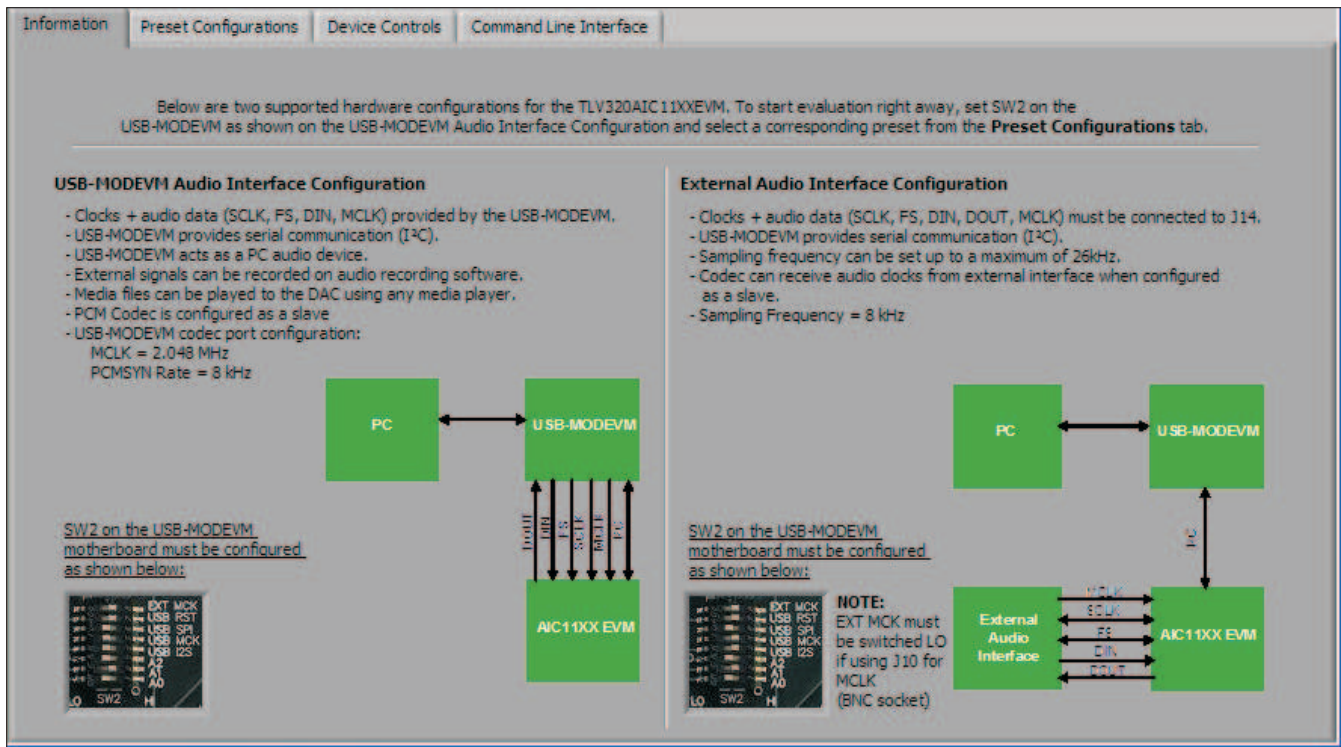
To the right of the **Interface** indicator is a group box called **Firmware**. This box indicates the product identification of the USB device, so *USB-MODEVM* should be displayed in the box labeled **Located On:**. The version of the firmware appears in the **Version** box below this.

Indicators on this panel, update only when writing or reading registers, or by pushing the **Refresh** button. The **Indicator Updates** and **Control Updates** buttons enable/disable updates of indicators and controls, respectively.

6.6 Information Tab

The information tab (Figure 4) shows information for two TLV320AIC11xxEVM-K hardware configurations.

The **USB-MODEVM Audio Interface Configuration** allows audio data and I²C communication between the host computer and the TLV320AIC11xx. SW2 on the USB-MODEVM must be configured as shown in the left section of [Figure 4](#).




Information | Preset Configurations | Device Controls | Command Line Interface

Below are two supported hardware configurations for the TLV320AIC11XXEVM. To start evaluation right away, set SW2 on the USB-MODEVM as shown on the USB-MODEVM Audio Interface Configuration and select a corresponding preset from the **Preset Configurations** tab.

USB-MODEVM Audio Interface Configuration

- Clocks + audio data (SCLK, FS, DIN, MCLK) provided by the USB-MODEVM.
- USB-MODEVM provides serial communication (I²C).
- USB-MODEVM acts as a PC audio device.
- External signals can be recorded on audio recording software.
- Media files can be played to the DAC using any media player.
- PCM Codec is configured as a slave
- USB-MODEVM codec port configuration:
MCLK = 2.048 MHz
PCMSYN Rate = 8 kHz

SW2 on the USB-MODEVM motherboard must be configured as shown below:



External Audio Interface Configuration

- Clocks + audio data (SCLK, FS, DIN, DOUT, MCLK) must be connected to J14.
- USB-MODEVM provides serial communication (I²C).
- Sampling frequency can be set up to a maximum of 26kHz.
- Codec can receive audio clocks from external interface when configured as a slave.
- Sampling Frequency = 8 kHz

SW2 on the USB-MODEVM motherboard must be configured as shown below:

NOTE:
EXT MCK must be switched LO if using J10 for MCLK (BNC socket)




Figure 4. Information Tab

Additionally, the operating system's audio device must be configured as USB-MODEVM (see [Figure 5](#)).

The **External Audio Interface Configuration** only allows I²C communication between the host computer and the TLV320AIC11xx. In this configuration, the TLV320AIC11xx can transmit and receive audio data to/from an external PCM device or DSP. SW2 on the USB-MODEVM must be configured as shown in the right section of [Figure 4](#).

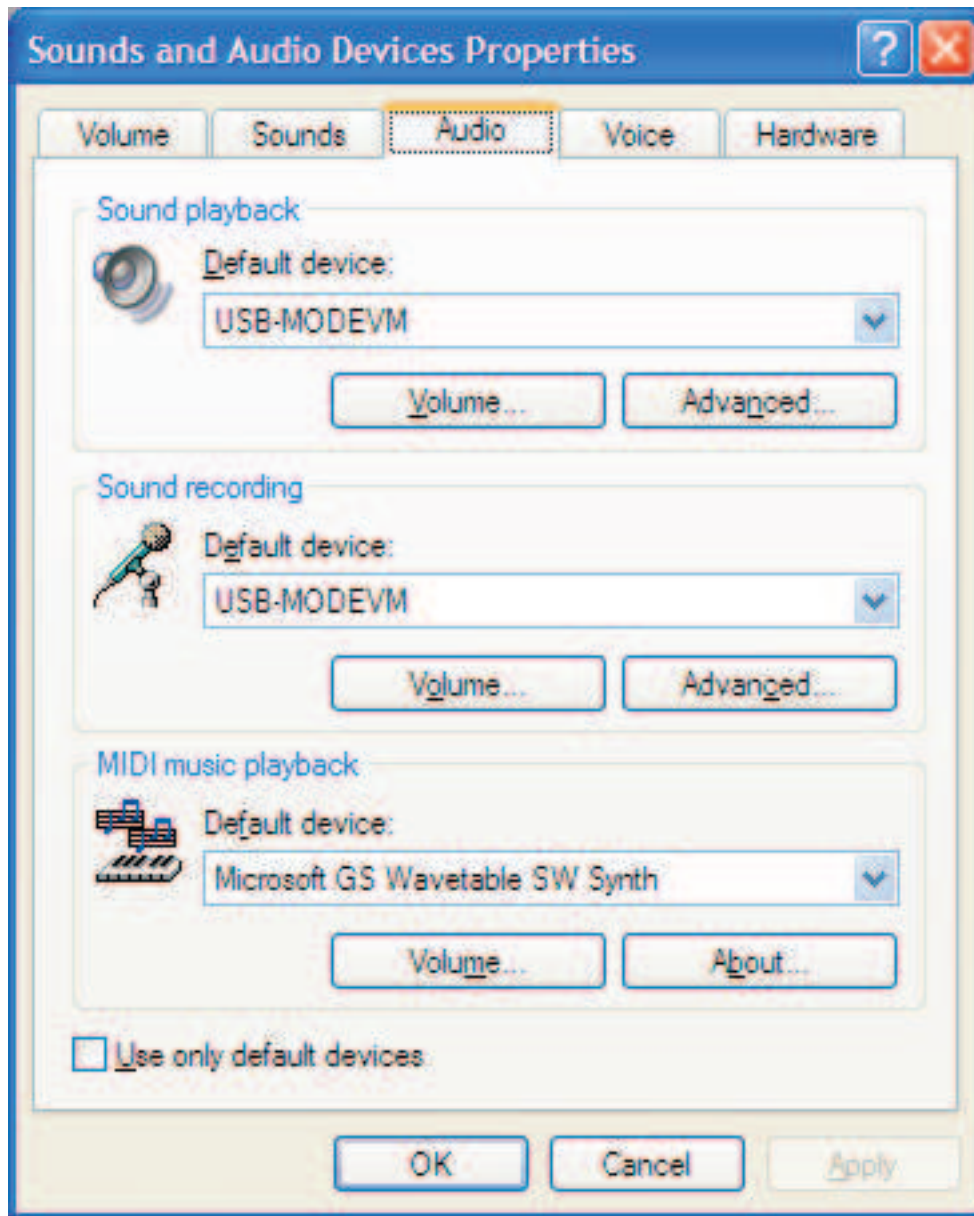


Figure 5. Sounds and Audio Devices Properties

6.7 Preset Configurations Tab

The **Preset Configurations** tab (Figure 6) provides several presets for both the **USB-MODEVM Audio Interface Configuration**. Also, there is a **TLV320AIC11xx Defaults** preset which programs the codec's default register settings. When a radio button is selected, a detailed description of the preset will appear on the **Preset Configuration Description** box. To load a preset to the codec, select the desired preset by selecting the corresponding radio button and pushing the **Load** button. At the same time, this will show the preset's executed commands on the **Command Buffer** of the **Command Line Interface** tab (see Figure 8).

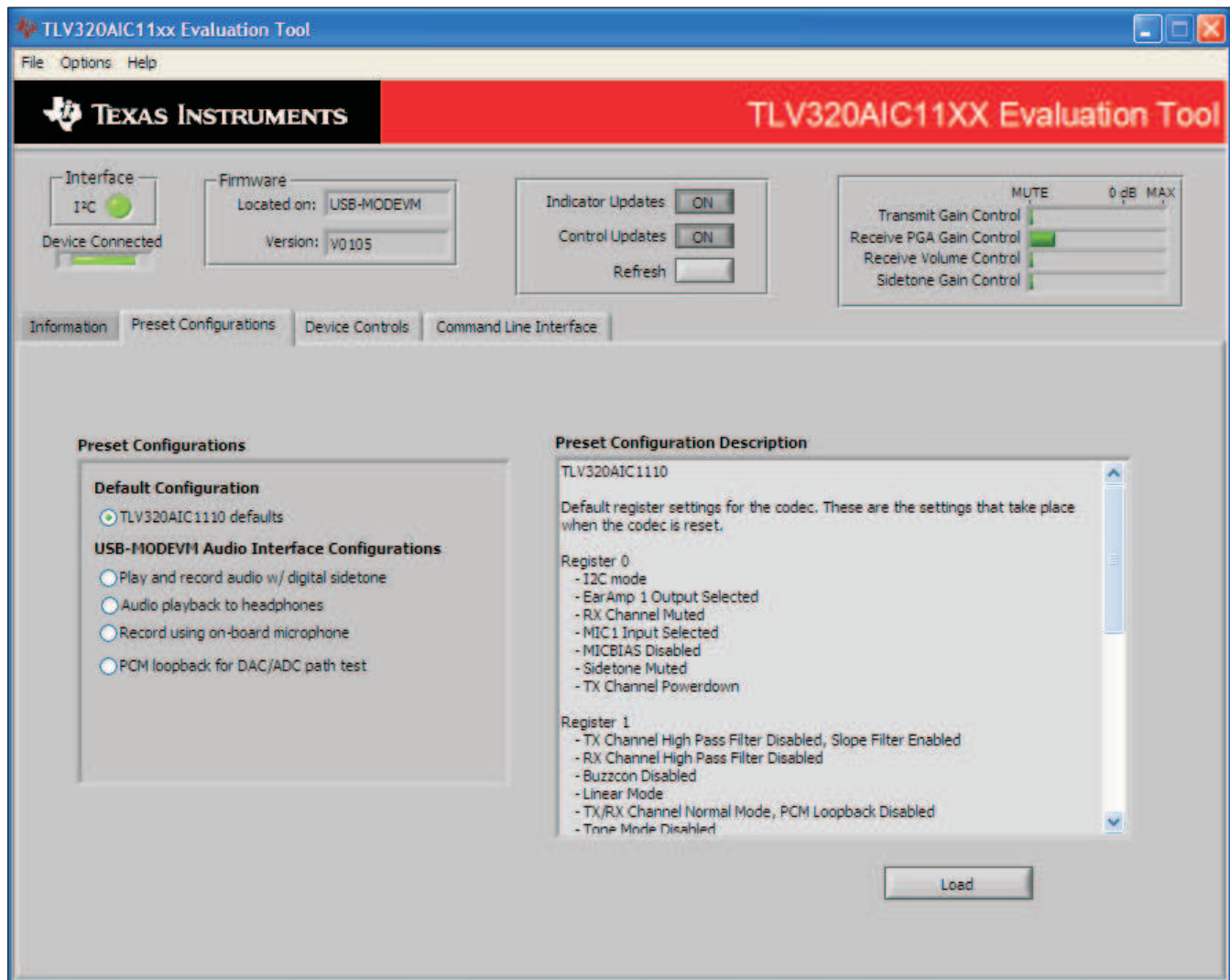


Figure 6. Preset Configurations

6.8 Device Controls Tab

The **Device Controls Tab** (Figure 7) contains seven enumerated **Control Registers** sub tabs with controls for all registers of the TLV320AIC11xx, a register table at the bottom of the tab, several controls and an indicator at the right of the tab. The **8-bit I²C Address** indicator shows the current I²C address. The **Program Device** button, when pushed, programs the register corresponding *only* to the selected **Control Registers** sub tab. The register table holds the current register values in hexadecimal and binary format. The **Register Dump to File** button dumps the current register values to a spreadsheet. Please refer to the respective datasheet for further details on control register content.

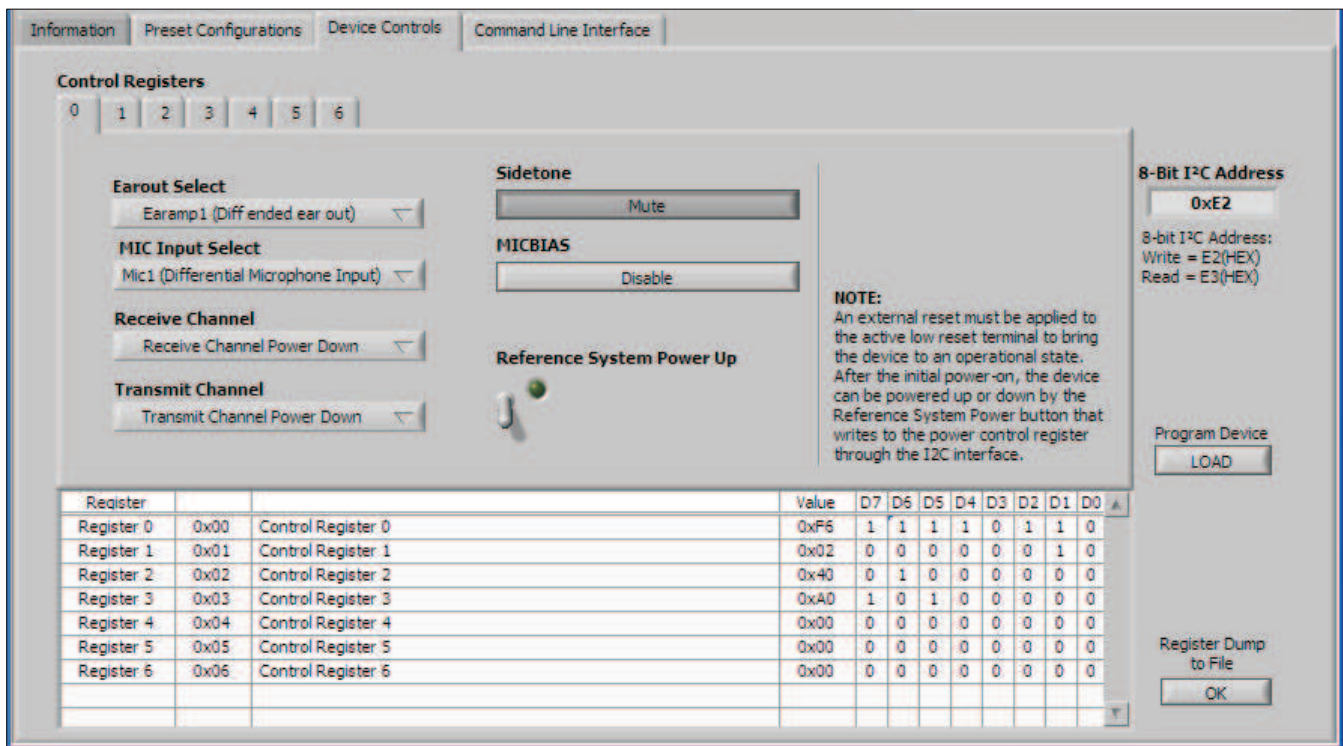


Figure 7. Device Controls Tab

6.9 Command Line Interface Tab

A simple scripting language controls the TAS1020 on the USB-MODEVM from the LabView™-based PC software. The main program controls, described previously, do nothing more than write a script which is then handed off to an interpreter that sends the appropriate data to the correct USB endpoint. Because this system is script-based, provision is made in this tab for the user to view the scripting commands that are created as the controls are manipulated, as well as load and execute other scripts that have been written and saved (see Figure 8). This design allows the software to be used as a quick test tool or to help provide troubleshooting information in the rare event that the user encounters a problem with this EVM.

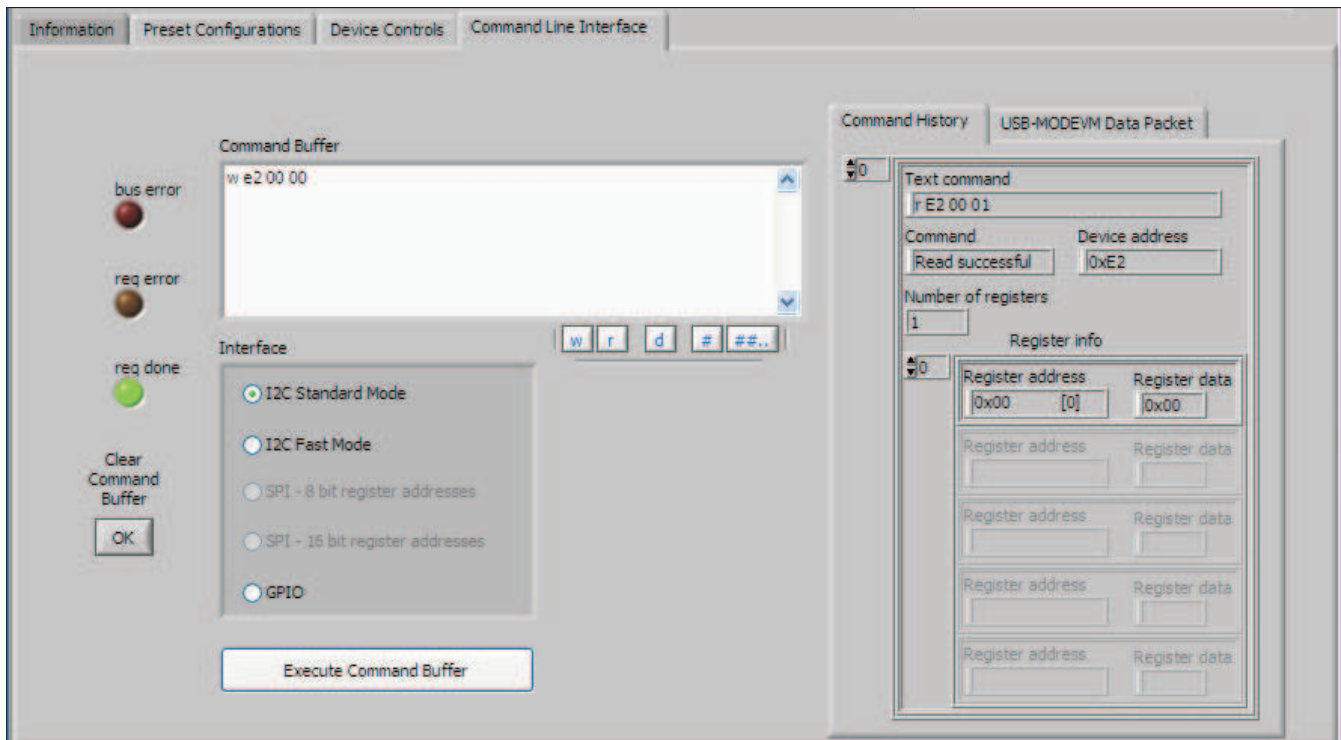


Figure 8. Command Line Interface Tab

A script is loaded into the command buffer, either by operating the controls on the other tabs or by loading a script file or preset.

When executed, either by loading commands from other tabs, loading a preset or pushing the Execute Command Buffer button, an array containing executed commands will be displayed on the **Command History** tab. Additionally, the return packet of data which results from the last command executed will be displayed in the **USB-MODEVM Data Packet** tab. The logging function, described below, can be used to see the results after every executed command.

The File menu ([Figure 9](#)) provides some options for working with scripts. The first option, *Open Command File...*, loads a command file script into the command buffer. This script can then be executed by pressing the **Execute Command Buffer** button.

The second option, *Save Command File...*, saves the contents of the command buffer into a file.

The third option is *Log Script and Results...*, which opens a file save dialog box. The user can choose a location for a log file to be written using the file save dialog. When the Execute Command Buffer button is pressed, the script will run and the script, along with resulting data read back during the script, will be saved to the file specified. The log file is a standard text file which can be opened with any text editor, and looks much like the source script file, but with the additional information of the result of each script command executed.

The third menu item is a submenu of *Recently Opened Files*. This list is simply a list of script files that have previously been opened, allowing fast access to commonly-used script files. The final menu item is *Exit*, which terminates the TLV320AIC11xx Evaluation Tool software.

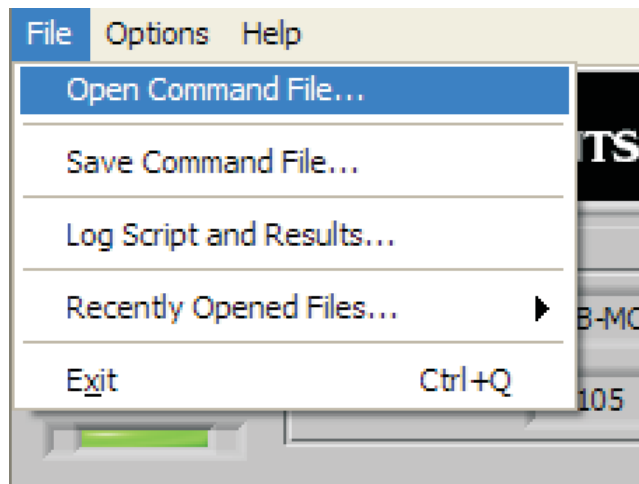


Figure 9. File Menu

The Options menu provides two settings suitable for command line interface users and for troubleshooting. These settings allows the user to evaluate the device in its most basic form.

Under the Help menu is an *About...* menu item (Figure 10) which displays information about the TLV320AIC11xxEVM software.

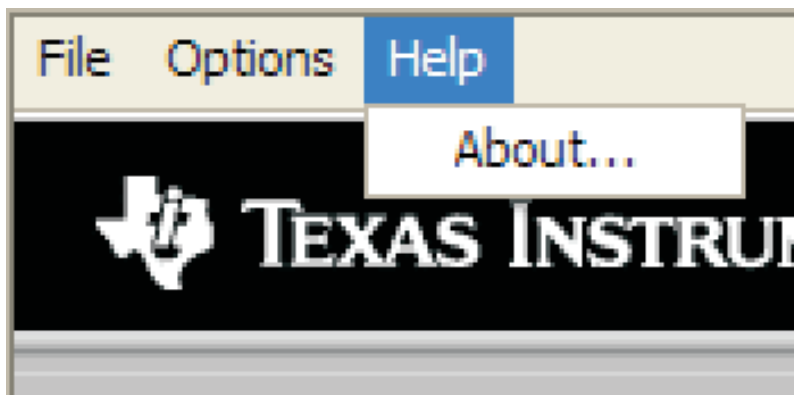


Figure 10. Help

The actual USB protocol used as well as instructions on writing scripts are detailed in the following subsections. While it is not necessary to understand or use either the protocol or the scripts directly, understanding them may be helpful to some users.

6.9.1 USB-MODEVM Protocol

The USB-MODEVM is defined to be a Vendor-Specific class, and is identified on the PC system as an NI-VISA device. Because the TAS1020 has several routines in its ROM which are designed for use with HID-class devices, HID-like structures are used, even though the USB-MODEVM is not an HID-class device. Data passes from the PC to the TAS1020 using the control endpoint.

Data is sent in an HIDSETREPORT (see Table 7):

Table 7. USB Control Endpoint HIDSETREPORT Request

PART	VALUE	DESCRIPTION
bmRequestType	0x21	00100001
bRequest	0x09	SET_REPORT

Table 7. USB Control Endpoint HIDSETREPORT Request (continued)

PART	VALUE	DESCRIPTION
wValue	0x00	don't care
wIndex	0x03	HID interface is index 3
wLength	calculated by host	
Data		Data packet as described below

The data packet consists of the following bytes, shown in [Table 8](#):

Table 8. Data Packet Configuration

BYTE NUMBER	TYPE	DESCRIPTION
0	Interface	Specifies serial interface and operation. The two values are logically OR'd. Operation: READ 0x00 WRITE 0x10 Interface: GPIO 0x08 SPI_16 0x04 I2C_FAST 0x02 I2C_STD 0x01 SPI_8 0x00
1	I ² C Slave Address	Slave address of I ² C device or MSB of 16-bit reg addr for SPI
2	Length	Length of data to write/read (number of bytes)
3	Register address	Address of register for I ² C or 8-bit SPI; LSB of 16-bit address for SPI
4..64	Data	Up to 60 data bytes could be written at a time. EP0 maximum length is 64. The return packet is limited to 42 bytes, so advise only sending 32 bytes at any one time.

Example usage:

Write two bytes (45, A0) to device starting at register 1 of an I²C device with address 80:

```
[0] 0x11
[1] 0x80
[2] 0x02
[3] 0x01
[4] 0x45
[5] 0xA0
```

Do the same with a fast mode I²C device:

```
[0] 0x12
[1] 0x80
[2] 0x02
[3] 0x01
[4] 0x45
[5] 0xA0
```

In each case, the TAS1020 will return, in an HID interrupt packet, the following:

```
[0]     interface byte | status
      status:
          REQ_ERROR 0x80
          INTF_ERROR 0x40
          REQ_DONE  0x20
[1]     for I2C interfaces, the I2C address as sent
          for SPI interfaces, the read back data from SPI line for transmission of the corresponding byte
[2]     length as sent
[3]     for I2C interfaces, the reg address as sent
          for SPI interfaces, the read back data from SPI line for transmission of the corresponding byte
[4..60] echo of data packet sent
```

If the command is sent with no problem, the returning byte [0] should be the same as the sent one logically or'd with 0x20 - in the second example above (fast mode), the returning packet should be:

```
[0] 0x32
[1] 0x80
[2] 0x02
[3] 0x01
[4] 0x45
[5] 0xA0
```

If for some reason the interface fails (for example, the I²C device does not acknowledge), it would come back as:

```
[0] 0x52 --> interface | INTF_ERROR
[1] 0x80
[2] 0x02
[3] 0x01
[4] 0x45
[5] 0xA0
```

If the request is malformed, that is, the interface byte (byte [0]) takes on a value which is not described above, the return packet would be:

```
[0] 0x93 --> 0x13 was sent, which is not valid, so 0x93 is returned
[1] 0x80
[2] 0x02
[3] 0x01
[4] 0x45
[5] 0xA0
```

Examples above used writes. Reading is similar:

Read two bytes from device starting at register 1 of an I²C device with address A0:

```
[0] 0x01
[1] 0x80
[2] 0x02
[3] 0x01
```

The return packet should be

```
[0] 0x21
[1] 0x80
[2] 0x02
[3] 0x01
[4] 0x45
[5] 0xA0
```

assuming that the values we wrote above starting at Register 5 were actually written to the device.

6.9.1.1 GPIO Capability

The USB-MODEVM has seven GPIO lines. The user can access them by specifying the interface to be 0x08, and then using the standard format for packets—but addresses are unnecessary. The GPIO lines are mapped into one byte (see [Table 9](#)):

Table 9. GPIO Pin Assignments

7	6	5	4	3	2	1	0
x	P3.5	P3.4	P3.3	P1.3	P1.2	P1.1	P1.0

Example: write P3.5 to a 0, all others to 1:

```
[0] 0x18 --> write, GPIO
[1] 0x00 --> this value is ignored
[2] 0x01 --> length - ALWAYS a 1
[3] 0x00 --> this value is ignored
[4] 0x3F --> 00111111
```

The user may also read back from the GPIO to see the state of the pins. Suppose the port pins were written as in the previous example.

Example: read the GPIO

```
[0] 0x08 --> read, GPIO
[1] 0x00 --> this value is ignored
[2] 0x01 --> length - ALWAYS a 1
[3] 0x00 --> this value is ignored
```

The return packet should be:

```
[0] 0x28
[1] 0x00
[2] 0x01
[3] 0x00
[4] 0x3F
```

6.9.2 Writing Scripts

A script is simply a text file that contains data to send to the serial control buses. The scripting language is quite simple, as is the parser for the language. Therefore, the program is not very forgiving about mistakes made in the source script file, but the formatting of the file is simple. Consequently, mistakes should be rare.

Each line in a script file is one command. There is no provision for extending lines beyond one line. A line is terminated by a carriage return.

The first character of a line is the command. Commands are:

```

l = = = = = Set interface bus to use
r = = = = = Read from the serial control bus
w = = = = = Write to the serial control bus
# = = = = = Comment
b = = = = = Break
d = = = = = Delay

```

The first command, **l**, sets the interface to use for the commands to follow. This command must be followed by one of the following parameters:

```

i2cstd      Standard mode I2C Bus
i2cfast     Fast mode I2C bus
spi8        SPI bus with 8-bit register addressing
spi16       SPI bus with 16-bit register addressing
gpio        Use the USB-MODEVM GPIO capability

```

For example, if a fast mode I²C bus is to be used, the script would begin with:

l i2cfast

No data follows the break command. Anything following a comment command is ignored by the parser, provided that it is on the same line. The delay command allows the user to specify a time, in milliseconds, that the script will pause before proceeding.

NOTE: UNLIKE ALL OTHER NUMBERS USED IN THE SCRIPT COMMANDS, THE DELAY TIME IS ENTERED IN A DECIMAL FORMAT. Also, note that because of latency in the USB bus as well as the time it takes the processor on the USB-MODEVM to handle requests, the delay time may not be precise.

A series of byte values follows either a read or write command. Each byte value is expressed in hexadecimal, and each byte must be separated by a space. Commands are interpreted and sent to the TAS1020 by the program using the protocol described in [Section 6.9.1](#).

The first byte following a read or write command is the I²C slave address of the device (if I²C is used) or the first data byte to write (if SPI is used—note that SPI interfaces are not standardized on protocols, so the meaning of this byte will vary with the device being addressed on the SPI bus). The second byte is the starting register address that data will be written to (again, with I²C; SPI varies—see [Section 6.9.1](#) for additional information about what variations may be necessary for a particular SPI mode). Following these two bytes are data, if writing; if reading, the third byte value is the number of bytes to read, (expressed in hexadecimal).

For example, to write the values 0x45 0xA0 to an I²C device with a slave address of 0x80, starting at a register address of 0x01, one would write:

```
#example script
I i2cfast
w 80 01 45 A0
r 80 01 02
```

This script begins with a comment, specifies that a fast I²C bus will be used, then writes 0x45 0xA0 to the I²C slave device at address 0x80, writing the values into registers 0x01 and 0x02. The script then reads back two bytes from the same device starting at register address 0x01. Note that the slave device value does not change. **It is not necessary to set the R/W bit for I²C devices in the script;** the read or write commands will do that for the user.

Any text editor may be used to write these scripts; Jedit is an editor that is highly recommended for general usage. For more information, go to: <http://www.jedit.org>.

Once the script is written, it can be used in the command window by running the program, and then selecting *Open Command File...* from the File menu. Locate the script and open it. The script will then be displayed in the command buffer. The user may also edit the script once it is in the buffer and save it as specified in [Section 6.9](#).

Once the script is in the command buffer, it may be executed by pressing the *Execute Command Buffer* button. If the user has placed breakpoints in the script, it will execute to that point, and a dialog box will show up with a continue button to continue executing the script.

Please refer to sections 3.1 (Power Down and Reset) and section 3.2 (AIC12 Control Register Programming Procedures) on the [TLV320AIC12/13/14/15 Codec Operating In Stand-Alone Slave Mode](#) application note for important details on programming the codec.

Special care must be taken when writing subregisters (4A-4B and 5A-5D).

Example: w 80 01 45 A0 01 20 B8 00

The previous command writes registers 1, 2, 3, 4A, 5C and 6. **It will not increment from 3 to 4A and then to 4B.** The subregister to be written will depend on the data.

7 EVM Bill of Materials

Table 10 and Table 11 contain a complete bill of materials for the modular TLV320AIC11xxEVM and the USB-MODEVM Interface Board.

Table 10. TLV320AIC11xxEVM Bill of Materials

REFERENCE DESIGNATOR	DESCRIPTION	MANUFACTURER	MFG PART NUMBER
R9	RES ZERO OHM 1/10W 5% 0603 SMD	Panasonic	ERJ-3GEY0R00V
R5, R6, R7, R10	RES 10K OHM 1/10W 5% 0603 SMD	Panasonic	ERJ-3GEYJ103V
R8	RES 47K OHM 1/10W 5% 0603 SMD	Panasonic	ERJ-6GEYJ473V
R2	RES 100K OHM 1/10W 5% 0603 SMD	Panasonic	ERJ-3GEYJ104V
R1, R3, R4	RES 2K OHM 1/10W 5% 0603 SMD	Panasonic	ERJ-3GEYJ202V
C4, C9, C11	CAP CER .10 μ F 6.3V X5R 10% 0402	TDK Corporation	C1005X5R0J104K
C1, C2, C13, C14, C15, C17	CAP CER .1 μ F 25V X7R 0603	TDK Corporation	C1608X7R1E104K
C3, C10, C12	CAP CERAMIC 10 μ F 6.3V X5R 0603	Panasonic	ECJ-1VB0J106M
C16, C18	CAP CER 10 μ F 16V X5R 20% 1206	TDK Corporation	C3216X5R0J106M
C5, C6, C7, C8	CAP CER 47 μ F 10V X5R 1210	Murata	GRM32ER61A476KE20L
U1	Audio Codec 3.3V	Texas Instruments	TLV320AIC1110
U2	LDO Voltage Regulator	Texas Instruments	REG1117-3.3
U3	64K I2C EEPROM	MicroChip	24AA64-I/SN
U4	D-Type Flip-Flop	Texas Instruments	SN74AUP1G74
J6, J7, J8, J10	Screw Terminal Block, 2 Position	On Shore Technology	ED555/2DS
J9	3.5mm Audio Jack, T-R-S, SMD	CUI Inc. / KobiConn	SJ1-3515-SMT / 161-3335-E
J1A, J2A, J4A, J5A	20 Pin SMT Plug	Samtec	TSM-110-01-L-DV-P
J1B, J2B, J4B, J5B	20 pin SMT Socket	Samtec	SSW-110-22-F-D-VS-K
J3A	10 Pin SMT Plug	Samtec	TSM-105-01-L-DV-P
J3B	10 pin SMT Socket	Samtec	SSW-105-22-F-D-VS-K
W1, W2, W4, W5, W6-W9, W13	2 Position Jumper , 0 .1" spacing	Samtec	TSW-102-07-L-S
W3, W10, W11	Bus Wire (18-22 Gauge)		
W12	3 Position Jumper , 0 .1" spacing	Samtec	TSW-103-07-L-S
MK1	Omnidirectional Microphone Cartridge or alternate	Knowles Acoustics / Knowles Acoustics	MD9745APZ-F / MD9745APA-1
SW1	SWITCH LT TOUCH 6X3.5 240GF SMD	Panasonic	EVQ-PJU04K
TP1 -TP17	TEST POINT PC MINI .040"D RED	Keystone Electronics	5000
TP18-TP21	TEST POINT PC MINI .040"D BLACK	Keystone Electronics	5001

Table 11. USB-MODEVM Bill of Materials

Designators	Description	Manufacturer	Mfg. Part Number
R4	10Ω 1/10W 5% chip resistor	Panasonic	ERJ-3GEYJ100V
R10, R11	27.4Ω 1/16W 1% chip resistor	Panasonic	ERJ-3EKF27R4V
R20	75Ω 1/4W 1% chip resistor	Panasonic	ERJ-14NF75R0U
R19	220Ω 1/10W 5% chip resistor	Panasonic	ERJ-3GEYJ221V
R14, R21, R22	390Ω 1/10W 5% chip resistor	Panasonic	ERJ-3GEYJ391V
R13	649Ω 1/16W 1% chip resistor	Panasonic	ERJ-3EKF6490V
R9	1.5kΩ 1/10W 5% chip resistor	Panasonic	ERJ-3GEYJ152V
R1, R2, R3, R5, R6, R7, R8	2.7kΩ 1/10W 5% chip resistor	Panasonic	ERJ-3GEYJ272V
R12	3.09kΩ 1/16W 1% chip resistor	Panasonic	ERJ-3EKF3091V
R15, R16	10kΩ 1/10W 5% chip resistor	Panasonic	ERJ-3GEYJ103V
R17, R18	100kΩ 1/10W 5% chip resistor	Panasonic	ERJ-3GEYJ104V
RA1	10kΩ 1/8W Octal isolated resistor array	CTS Corporation	742C163103JTR
C18, C19	33pF 50V ceramic chip capacitor, ±5%, NPO	TDK	C1608C0G1H330J
C13, C14	47pF 50V ceramic chip capacitor, ±5%, NPO	TDK	C1608C0G1H470J
C20	100pF 50V ceramic chip capacitor, ±5%, NPO	TDK	C1608C0G1H101J
C21	1000pF 50V ceramic chip capacitor, ±5%, NPO	TDK	C1608C0G1H102J
C15	0.1μF 16V ceramic chip capacitor, ±10%, X7R	TDK	C1608X7R1C104K
C16, C17	0.33μF 16V ceramic chip capacitor, ±20%, Y5V	TDK	C1608X5R1C334K
C9, C10, C11, C12, C22, C23, C24, C25, C26, C27, C28	1μF 6.3V ceramic chip capacitor, ±10%, X5R	TDK	C1608X5R0J105K
C1, C2, C3, C4, C5, C6, C7, C8	10μF 6.3V ceramic chip capacitor, ±10%, X5R	TDK	C3216X5R0J106K
D1	50V, 1A, Diode MELF SMD	Micro Commercial Components	DL4001
D2	Yellow Light Emitting Diode	Lumex	SML-LX0603YW-TR
D3, D4, D6, D7	Green Light Emitting Diode	Lumex	SML-LX0603GW-TR
D5	Red Light Emitting Diode	Lumex	SML-LX0603IW-TR
Q1, Q2	N-Channel MOSFET	Zetex	ZXMN6A07F
X1	6MHz Crystal SMD	Epson	MA-505 6.000M-C0
U8	USB streaming controller	Texas Instruments	TAS1020BPFB
U2	5V LDO regulator	Texas Instruments	REG1117-5
U9	3.3V/1.8V dual output LDO regulator	Texas Instruments	TPS767D318PWP
U3, U4	Quad, 3-state buffers	Texas Instruments	SN74LVC125APW
U5, U6, U7	Single IC buffer driver with open drain o/p	Texas Instruments	SN74LVC1G07DBVR
U10	Single 3-state buffer	Texas Instruments	SN74LVC1G125DBVR
U1	64K 2-Wire serial EEPROM I ² C	Microchip	24LC64I/SN
	USB-MODEVM PCB	Texas Instruments	6463995
TP1, TP2, TP3, TP4, TP5, TP6, TP9, TP10, TP11	Miniature test point terminal	Keystone Electronics	5000

Table 11. USB-MODEVM Bill of Materials (continued)

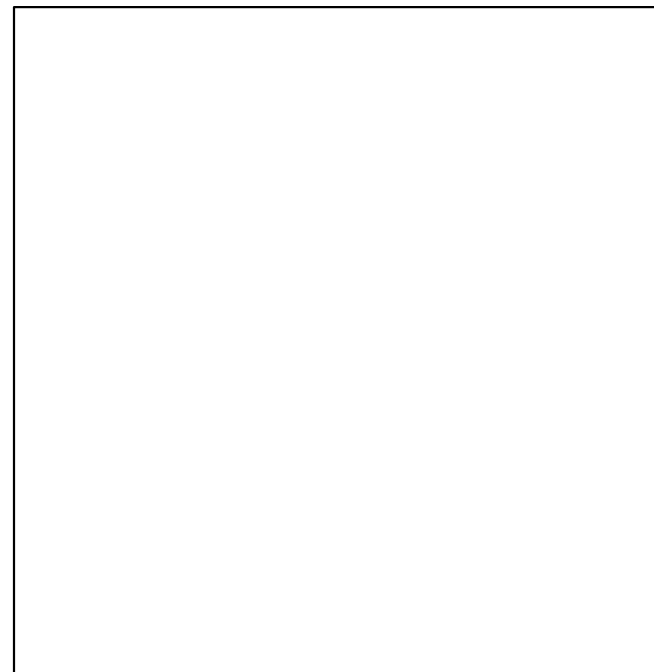
Designators	Description	Manufacturer	Mfg. Part Number
TP7, TP8	Multipurpose test point terminal	Keystone Electronics	5011
J7	USB type B slave connector thru-hole	Mill-Max	897-30-004-90-000000
J1, J2, J3, J4, J5, J8	2-position terminal block	On Shore Technology	ED555/2DS
J9	2.5mm power connector	CUI Stack	PJ-102B
J10	BNC connector, female, PC mount	AMP/Tyco	414305-1
J11A, J12A, J21A, J22A	20-pin SMT plug	Samtec	TSM-110-01-L-DV-P
J11B, J12B, J21B, J22B	20-pin SMT socket	Samtec	SSW-110-22-F-D-VS-K
J13A, J23A	10-pin SMT plug	Samtec	TSM-105-01-L-DV-P
J13B, J23B	10-pin SMT socket	Samtec	SSW-105-22-F-D-VS-K
J6	4-pin double row header (2x2) 0.1"	Samtec	TSW-102-07-L-D
J14, J15	12-pin double row header (2x6) 0.1"	Samtec	TSW-106-07-L-D
JMP1–JMP4	2-position jumper, 0.1" spacing	Samtec	TSW-102-07-L-S
JMP8–JMP14	2-position jumper, 0.1" spacing	Samtec	TSW-102-07-L-S
JMP5, JMP6	3-position jumper, 0.1" spacing	Samtec	TSW-103-07-L-S
JMP7	3-position dual row jumper, 0.1" spacing	Samtec	TSW-103-07-L-D
SW1	SMT, half-pitch 2-position switch	C&K Division, ITT	TDA02H0SK1
SW2	SMT, half-pitch 8-position switch	C&K Division, ITT	TDA08H0SK1
	Jumper plug	Samtec	SNT-100-BK-T

Appendix A TLV320AIC11xxEVM Schematic

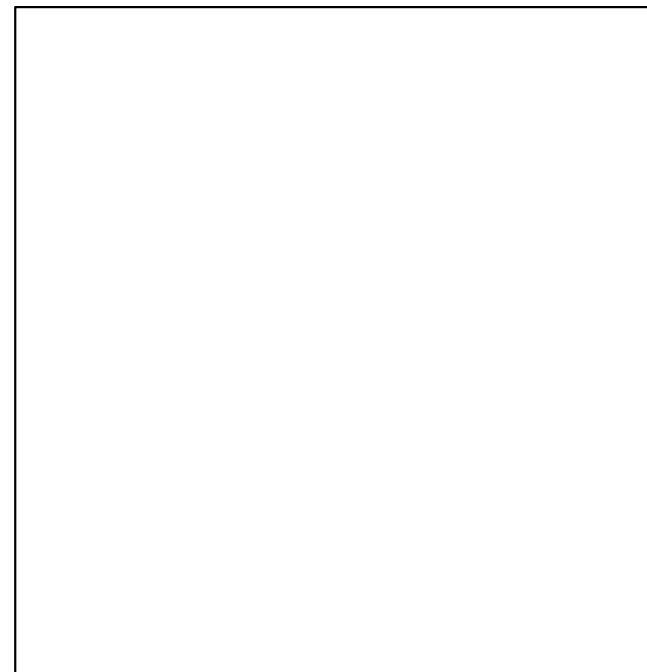
The schematic diagram is provided as a reference.


REV	REVISIONS		
A	ECR	XXXX	07/28/08, MPK

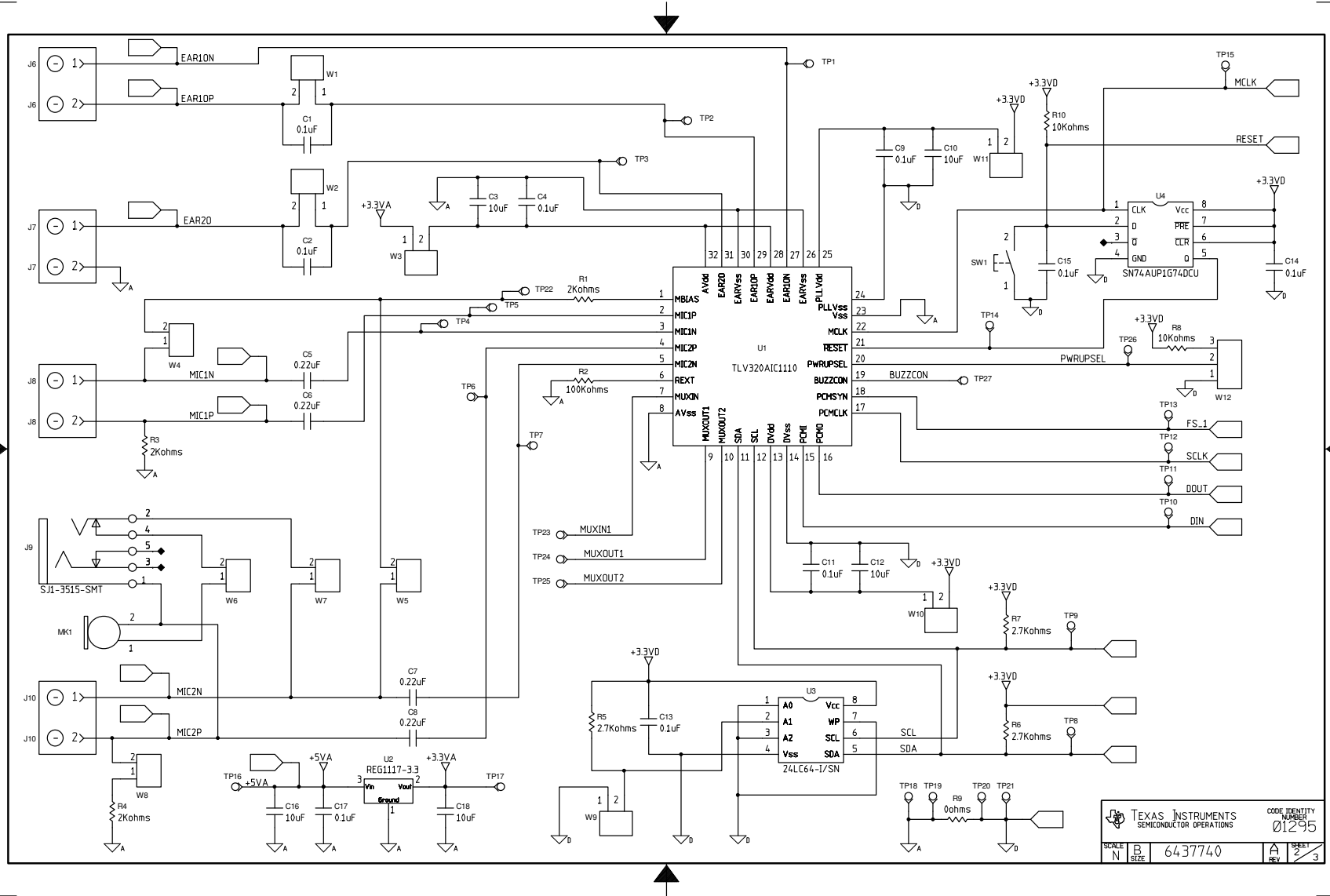
Daughtercard_sch
Daughtercard_sch.sch



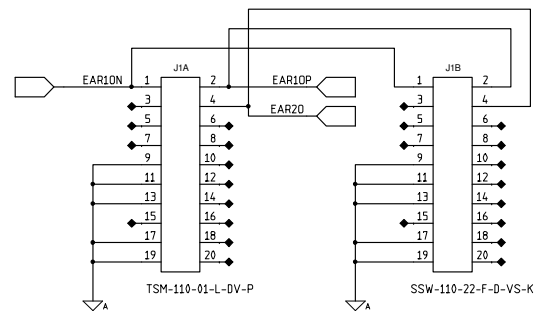
AIC12K_14K_sch
AIC12K_14K_sch.sch



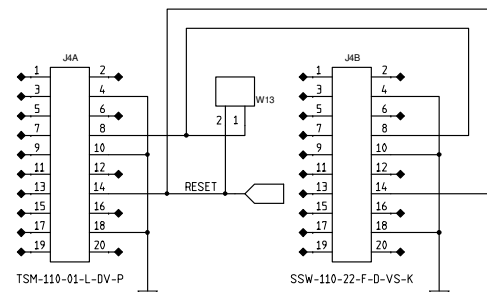
DRAFTSMAN: B Kinney	DATE 07/28/08	 TEXAS INSTRUMENTS SEMICONDUCTOR OPERATIONS	CODE IDENTITY NUMBER 01295					
DESIGNER: S Leggio	DATE 07/28/08		TITLE: SCHEMATIC, TLV320AIC1110/09/03_PBS_EVM					
CHECKER: S Leggio	DATE 07/28/08							
ENGINEER: F Shariff	DATE 07/28/08							
APPROVED: S Leggio	DATE 07/28/08							
RELEASED: S Leggio	DATE 07/28/08	SCALE N	<table border="1"> <tr> <td>B SIZE</td> <td>6437740</td> <td>A REV</td> <td>SHEET 01</td> <td>3</td> </tr> </table>	B SIZE	6437740	A REV	SHEET 01	3
B SIZE	6437740	A REV	SHEET 01	3				



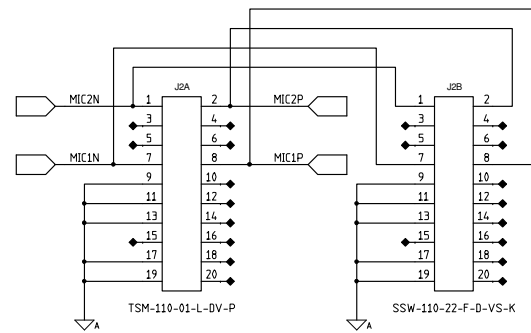

TEXAS INSTRUMENTS
 SEMICONDUCTOR OPERATIONS
 CODE IDENTIFY NUMBER
 01295
 SCALE: N B SIZE: 6437740 A REV: 2/3



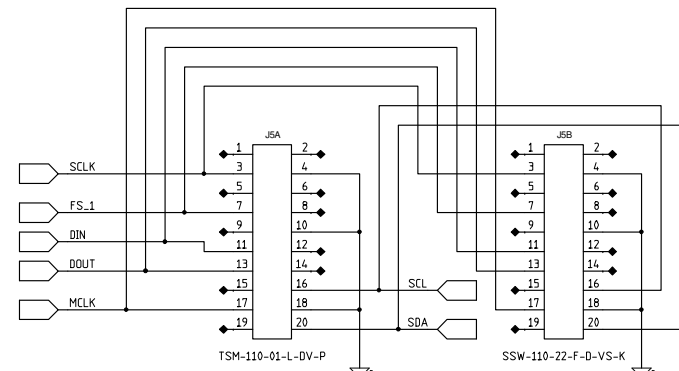
J1A (TOP) = SAMTEC - P/N: TSM-110-01-L-DV-P
 J1B (BOTTOM) = SAMTEC - P/N: SSW-110-22-F-D-VS



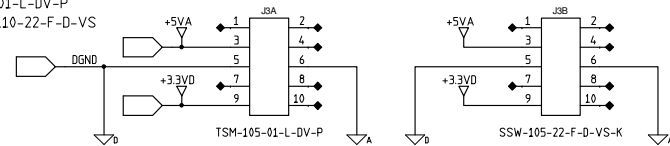
J4A (TOP) = SAMTEC - P/N: TSM-110-01-L-DV-P
 J4B (BOTTOM) = SAMTEC - P/N: SSW-110-22-F-D-VS



J2A (TOP) = SAMTEC - P/N: TSM-110-01-L-DV-P
 J2B (BOTTOM) = SAMTEC - P/N: SSW-110-22-F-D-VS



J5A (TOP) = SAMTEC - P/N: TSM-110-01-L-DV-P
 J5B (BOTTOM) = SAMTEC - P/N: SSW-110-22-F-D-VS



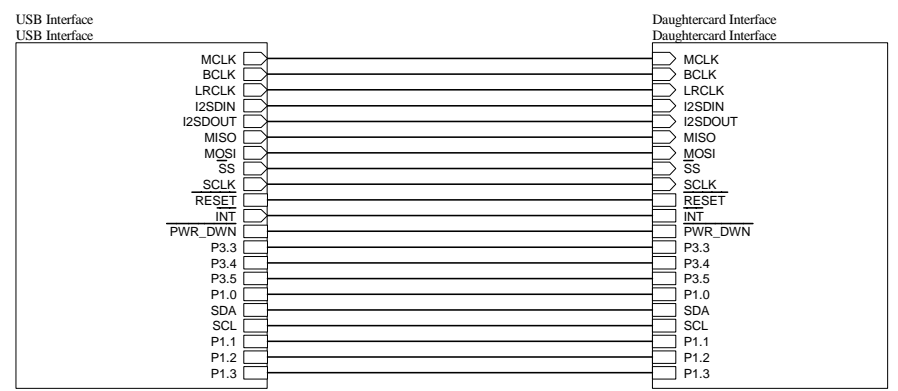
J3A (TOP) = SAMTEC - P/N: TSM-105-01-L-DV-P
 J3B (BOTTOM) = SAMTEC - P/N: SSW-105-22-F-D-VS

		CODE IDENTIFY NUMBER 01295
SCALE N	DATE 6437740	REV 03

Appendix B USB-MODEVM Schematic

The schematic diagram is provided as a reference.

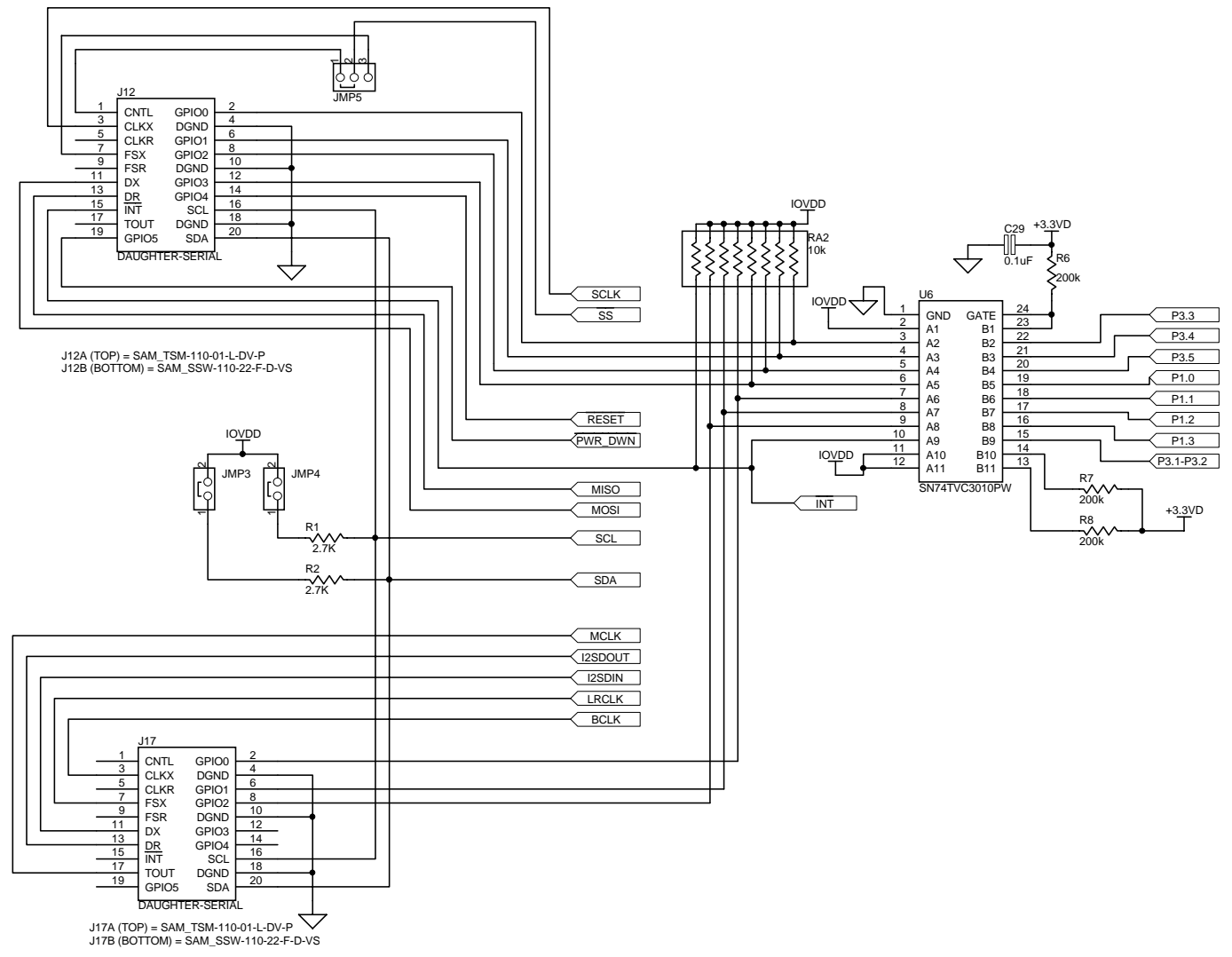
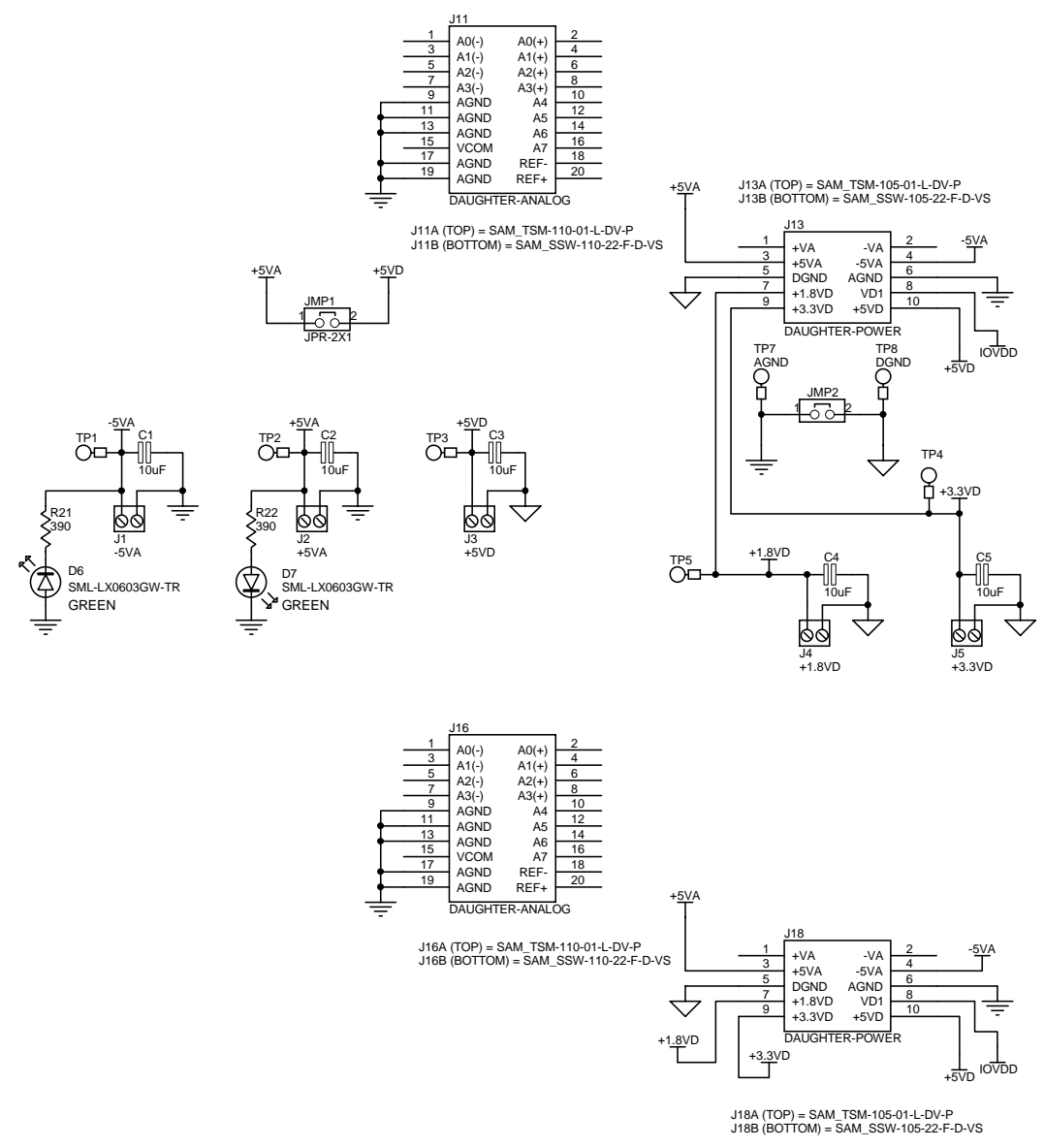
REVISION HISTORY		
REV	ENGINEERING CHANGE NUMBER	APPROVED



TEXAS INSTRUMENTS
 DATA ACQUISITION PRODUCTS
 HIGH-PERFORMANCE ANALOG DIVISION
 SEMICONDUCTOR GROUP
 6730 SOUTH TUCSON BLVD., TUCSON, AZ 85706 USA

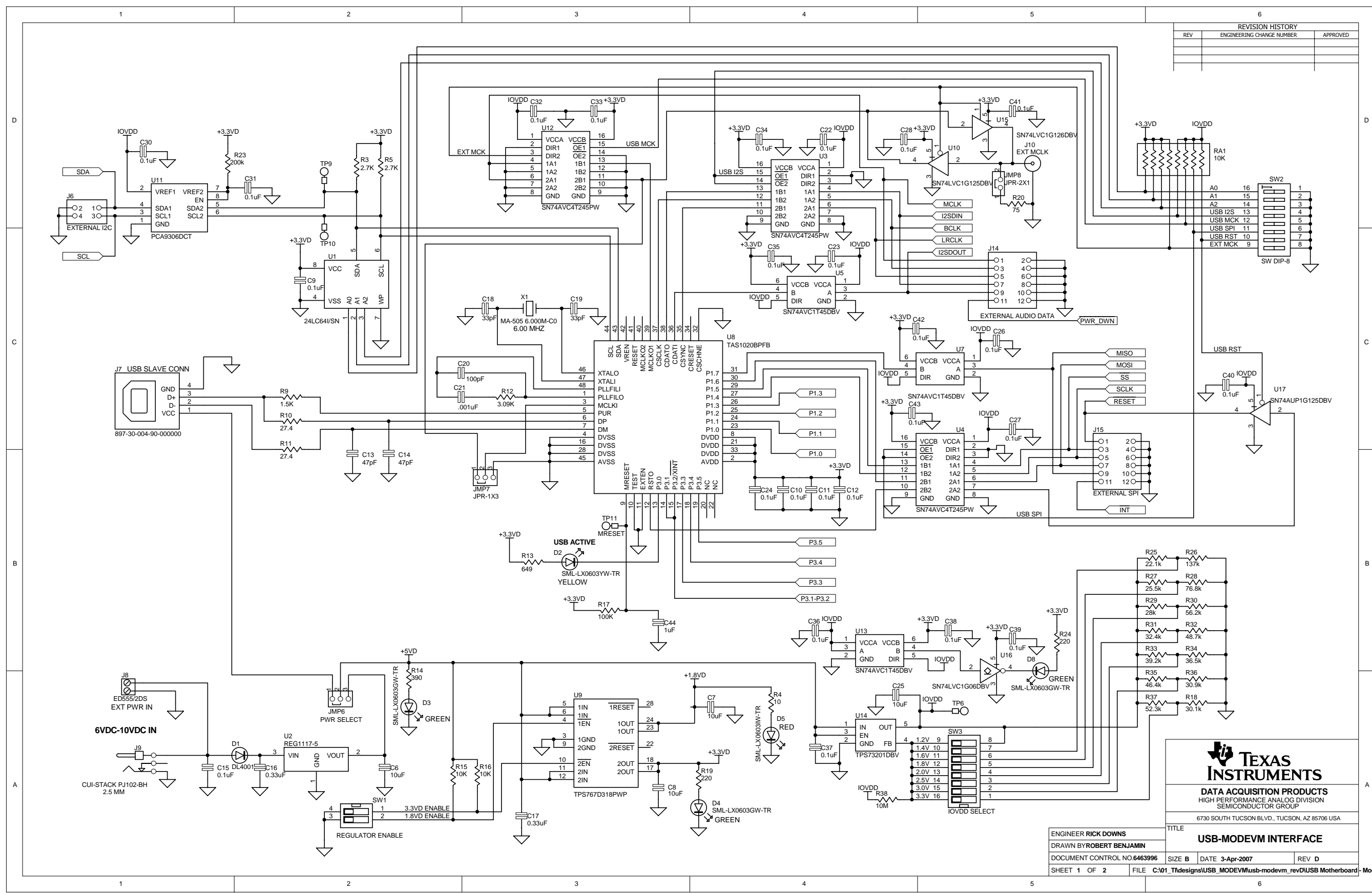
ENGINEER FRYE D. ZERKETS	TITLE	
DRAWN BY L. C. SPOTTS	untitled	
DOCUMENT CONTROL NO.1234567	SIZE B	DATE dd MMM yyyy
SHEET 1 OF 1	FILE ???	REV A

REVISION HISTORY		
REV	ENGINEERING CHANGE NUMBER	APPROVED



ENGINEER RICK DOWNS	TITLE	
DRAWN BY ROBERT BENJAMIN	USB-MODEVM INTERFACE	
DOCUMENT CONTROL NO.6463996	SIZE B	DATE 3-Apr-2007
SHEET 2 OF 2	FILE C:\01_Tfdesigns\USB_MODEVM\usb-modevm_revDU5B Motherboard - ModEvm.ddb - Documents\SCH\Daughtercard Interface	REV D

REVISION HISTORY		
REV	ENGINEERING CHANGE NUMBER	APPROVED



TEXAS INSTRUMENTS
DATA ACQUISITION PRODUCTS
 HIGH PERFORMANCE ANALOG DIVISION
 SEMICONDUCTOR GROUP
 6730 SOUTH TUCSON BLVD., TUCSON, AZ 85706 USA

ENGINEER RICK DOWNS		TITLE	
DRAWN BY ROBERT BENJAMIN		USB-MODEM INTERFACE	
DOCUMENT CONTROL NO. 6463996	SIZE B	DATE 3-Apr-2007	REV D
SHEET 1 OF 2	FILE C:\01_Ttdesigns\USB_MODEVM\usb-modevm_revD\USB Motherboard-ModEvm.ddb - Documents\SCHUSB Interface		

Evaluation Board/Kit Important Notice

Texas Instruments (TI) provides the enclosed product(s) under the following conditions:

This evaluation board/kit is intended for use for **ENGINEERING DEVELOPMENT, DEMONSTRATION, OR EVALUATION PURPOSES ONLY** and is not considered by TI to be a finished end-product fit for general consumer use. Persons handling the product(s) must have electronics training and observe good engineering practice standards. As such, the goods being provided are not intended to be complete in terms of required design-, marketing-, and/or manufacturing-related protective considerations, including product safety and environmental measures typically found in end products that incorporate such semiconductor components or circuit boards. This evaluation board/kit does not fall within the scope of the European Union directives regarding electromagnetic compatibility, restricted substances (RoHS), recycling (WEEE), FCC, CE or UL, and therefore may not meet the technical requirements of these directives or other related directives.

Should this evaluation board/kit not meet the specifications indicated in the User's Guide, the board/kit may be returned within 30 days from the date of delivery for a full refund. **THE FOREGOING WARRANTY IS THE EXCLUSIVE WARRANTY MADE BY SELLER TO BUYER AND IS IN LIEU OF ALL OTHER WARRANTIES, EXPRESSED, IMPLIED, OR STATUTORY, INCLUDING ANY WARRANTY OF MERCHANTABILITY OR FITNESS FOR ANY PARTICULAR PURPOSE.**

The user assumes all responsibility and liability for proper and safe handling of the goods. Further, the user indemnifies TI from all claims arising from the handling or use of the goods. Due to the open construction of the product, it is the user's responsibility to take any and all appropriate precautions with regard to electrostatic discharge.

EXCEPT TO THE EXTENT OF THE INDEMNITY SET FORTH ABOVE, NEITHER PARTY SHALL BE LIABLE TO THE OTHER FOR ANY INDIRECT, SPECIAL, INCIDENTAL, OR CONSEQUENTIAL DAMAGES.

TI currently deals with a variety of customers for products, and therefore our arrangement with the user **is not exclusive.**

TI assumes **no liability for applications assistance, customer product design, software performance, or infringement of patents or services described herein.**

Please read the User's Guide and, specifically, the Warnings and Restrictions notice in the User's Guide prior to handling the product. This notice contains important safety information about temperatures and voltages. For additional information on TI's environmental and/or safety programs, please contact the TI application engineer or visit www.ti.com/esh.

No license is granted under any patent right or other intellectual property right of TI covering or relating to any machine, process, or combination in which such TI products or services might be or are used.

FCC Warning

This evaluation board/kit is intended for use for **ENGINEERING DEVELOPMENT, DEMONSTRATION, OR EVALUATION PURPOSES ONLY** and is not considered by TI to be a finished end-product fit for general consumer use. It generates, uses, and can radiate radio frequency energy and has not been tested for compliance with the limits of computing devices pursuant to part 15 of FCC rules, which are designed to provide reasonable protection against radio frequency interference. Operation of this equipment in other environments may cause interference with radio communications, in which case the user at his own expense will be required to take whatever measures may be required to correct this interference.

EVM Warnings and Restrictions

It is important to operate this EVM within the input voltage range of 3.3 V to 5 V and the output voltage range of 0 V to 5 V and the EVM motherboard within the input voltage range of 6 VDC to 10 VDC when using an external AC/DC power supply. Refer to the USB-MODEVM Interface Power section of this manual when using lab power supplies..

Exceeding the specified input range may cause unexpected operation and/or irreversible damage to the EVM. If there are questions concerning the input range, please contact a TI field representative prior to connecting the input power.

Applying loads outside of the specified output range may result in unintended operation and/or possible permanent damage to the EVM. Please consult the EVM User's Guide prior to connecting any load to the EVM output. If there is uncertainty as to the load specification, please contact a TI field representative.

During normal operation, some circuit components may have case temperatures greater than 30°C. The EVM is designed to operate properly with certain components above 85°C as long as the input and output ranges are maintained. These components include but are not limited to linear regulators, switching transistors, pass transistors, and current sense resistors. These types of devices can be identified using the EVM schematic located in the EVM User's Guide. When placing measurement probes near these devices during operation, please be aware that these devices may be very warm to the touch.

Mailing Address: Texas Instruments, Post Office Box 655303, Dallas, Texas 75265
Copyright © 2011, Texas Instruments Incorporated

IMPORTANT NOTICE

Texas Instruments Incorporated and its subsidiaries (TI) reserve the right to make corrections, modifications, enhancements, improvements, and other changes to its products and services at any time and to discontinue any product or service without notice. Customers should obtain the latest relevant information before placing orders and should verify that such information is current and complete. All products are sold subject to TI's terms and conditions of sale supplied at the time of order acknowledgment.

TI warrants performance of its hardware products to the specifications applicable at the time of sale in accordance with TI's standard warranty. Testing and other quality control techniques are used to the extent TI deems necessary to support this warranty. Except where mandated by government requirements, testing of all parameters of each product is not necessarily performed.

TI assumes no liability for applications assistance or customer product design. Customers are responsible for their products and applications using TI components. To minimize the risks associated with customer products and applications, customers should provide adequate design and operating safeguards.

TI does not warrant or represent that any license, either express or implied, is granted under any TI patent right, copyright, mask work right, or other TI intellectual property right relating to any combination, machine, or process in which TI products or services are used. Information published by TI regarding third-party products or services does not constitute a license from TI to use such products or services or a warranty or endorsement thereof. Use of such information may require a license from a third party under the patents or other intellectual property of the third party, or a license from TI under the patents or other intellectual property of TI.

Reproduction of TI information in TI data books or data sheets is permissible only if reproduction is without alteration and is accompanied by all associated warranties, conditions, limitations, and notices. Reproduction of this information with alteration is an unfair and deceptive business practice. TI is not responsible or liable for such altered documentation. Information of third parties may be subject to additional restrictions.

Resale of TI products or services with statements different from or beyond the parameters stated by TI for that product or service voids all express and any implied warranties for the associated TI product or service and is an unfair and deceptive business practice. TI is not responsible or liable for any such statements.

TI products are not authorized for use in safety-critical applications (such as life support) where a failure of the TI product would reasonably be expected to cause severe personal injury or death, unless officers of the parties have executed an agreement specifically governing such use. Buyers represent that they have all necessary expertise in the safety and regulatory ramifications of their applications, and acknowledge and agree that they are solely responsible for all legal, regulatory and safety-related requirements concerning their products and any use of TI products in such safety-critical applications, notwithstanding any applications-related information or support that may be provided by TI. Further, Buyers must fully indemnify TI and its representatives against any damages arising out of the use of TI products in such safety-critical applications.

TI products are neither designed nor intended for use in military/aerospace applications or environments unless the TI products are specifically designated by TI as military-grade or "enhanced plastic." Only products designated by TI as military-grade meet military specifications. Buyers acknowledge and agree that any such use of TI products which TI has not designated as military-grade is solely at the Buyer's risk, and that they are solely responsible for compliance with all legal and regulatory requirements in connection with such use.

TI products are neither designed nor intended for use in automotive applications or environments unless the specific TI products are designated by TI as compliant with ISO/TS 16949 requirements. Buyers acknowledge and agree that, if they use any non-designated products in automotive applications, TI will not be responsible for any failure to meet such requirements.

Following are URLs where you can obtain information on other Texas Instruments products and application solutions:

Products

Audio	www.ti.com/audio
Amplifiers	amplifier.ti.com
Data Converters	dataconverter.ti.com
DLP® Products	www.dlp.com
DSP	dsp.ti.com
Clocks and Timers	www.ti.com/clocks
Interface	interface.ti.com
Logic	logic.ti.com
Power Mgmt	power.ti.com
Microcontrollers	microcontroller.ti.com
RFID	www.ti-rfid.com
RF/IF and ZigBee® Solutions	www.ti.com/lprf

Applications

Communications and Telecom	www.ti.com/communications
Computers and Peripherals	www.ti.com/computers
Consumer Electronics	www.ti.com/consumer-apps
Energy and Lighting	www.ti.com/energy
Industrial	www.ti.com/industrial
Medical	www.ti.com/medical
Security	www.ti.com/security
Space, Avionics and Defense	www.ti.com/space-avionics-defense
Transportation and Automotive	www.ti.com/automotive
Video and Imaging	www.ti.com/video
Wireless	www.ti.com/wireless-apps

TI E2E Community Home Page

e2e.ti.com

Mailing Address: Texas Instruments, Post Office Box 655303, Dallas, Texas 75265
Copyright © 2011, Texas Instruments Incorporated