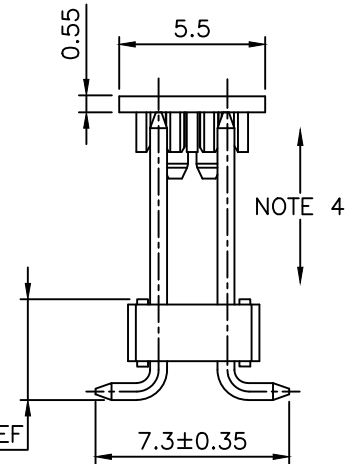
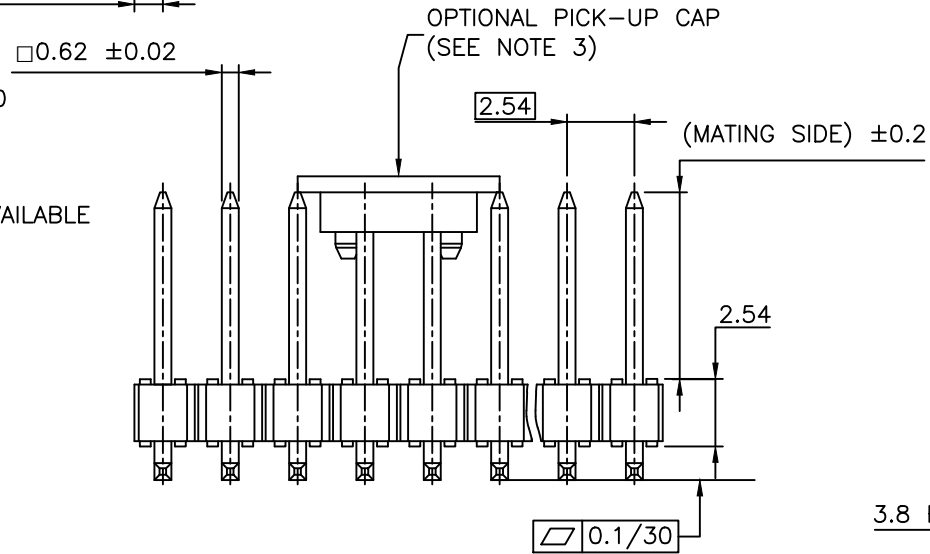
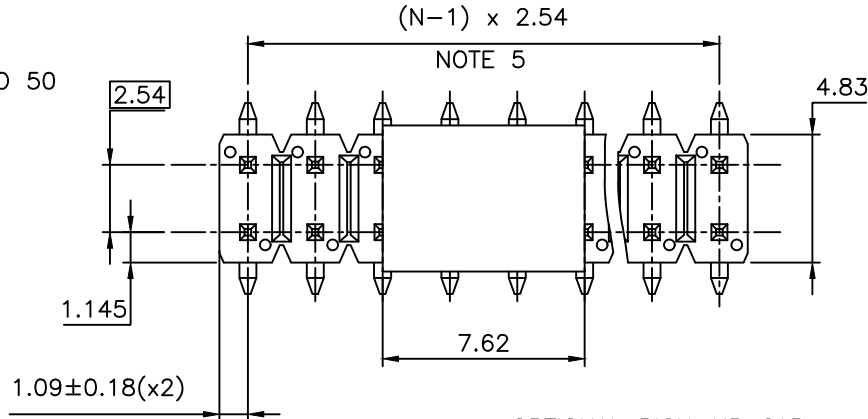


PRODUCT NUMBER
95278-YXX-XXLF

- RoHS COMPATIBLE, NOTE 6.
- TOTAL NB OF POSITIONS 04 TO 50
- PACKAGING OPTIONS, NOTE 3.
- PIN STYLE SEE SHEET 2
- PLATING SEE SHEET 2

NOTES:

1. HOUSING MAT'L : HIGH TEMPERATURE THERMOPLASTIC. UL94V-0 COLOR: BLACK
2. PIN MATERIAL : PHOSPHOR BRONZE
- 3 - PACKAGING OPTIONS:
 - = POLY BAGS
 - B = TUBE + CAP
 - A = TAPE & REEL WITH CAP, AS AVAILABLE
 - TR = CUSTOM TAPE & REEL WITH CAP, SEE TA840 ONLY FOR P/N 95278-102TR04LF AND P/N 95278-101TR10LF
 - T = TUBE WITHOUT PICK UP CAP
 - K = TAPE & REEL WITHOUT PICK UP CAP, AS AVAILABLE
4. 9N MIN RETENTION IN EITHER DIRECTION
5. TO DETERMINE DIMENSIONS :
N = NUMBER OF POSITIONS PER ROW
6. RoHS COMPATIBLE PRODUCT SPECIFICATIONS
 - a - PLATING:
 - "LF" MEANS THE PRODUCT IS LEAD-FREE, 2µm MINIMUM MATTE TIN OVER 1.27µm MINIMUM NICKEL UNDERPLATE.
 - b - MANUFACTURING PROCESS COMPATIBILITY
 - THE HOUSING WILL WITHSTAND EXPOSURE TO 260°C PEAK TEMPERATURE FOR 30 SECONDES IN A CONVECTION, INFRA-RED OR VAPOR PHASE REFLOW OVEN.
 - c - LABELING:
 - MEETS PACKAGING SPECS AS PER GS-14-920
 - d - LEGAL STATEMENT: SEE GS-47-0004



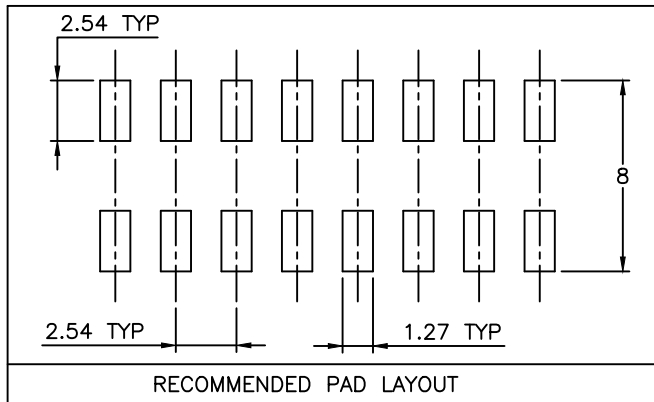
mat'l. code				surface		tolerance		projection		product family	
				ISO 1302		ISO 406 ISO 1101		mm		BERGSTIK	
ltr ecn no dr date				tolerances unless otherwise specified		angles		mm		title	
W F-22120 BVE 15.10.09				x.x ±0.3						UNSHR.HEADER	
X F-22217 BVE 15.10.19				x.xx ±0.13						DR SMT	
Y F-23055 AMA 16.01.15				x.xxx ±0.05				scale 5:1		dwg no sheet 1 of 2 size	
AA F-23246 AMA 16.02.12 dr D.LE 01.01.24										95278 A3	
AB F-23258 AMA 16.02.15 engr JM.C 01.01.24										type CUSTOMER Drawing	
AC F-23474 JJU 16.03.08 chr JM.C 01.01.24											
AD F-31155 DDE 18.09.05 appd JF.N 01.01.24											
sheet index		revision		AD U							
1		2									

PIN STYLE	MATING
01	5.9
02	8
03	9.9
04	11.4
05	9.2
06	10.4
07	5.3
09	17.00
10	8.10
11	8.50
12	3.05
13	14.35
14	4.00
15	6.60

PLATING

- 1 = 0.76µm GOLD/GXT ON CONTACT AREA, 2µm TIN MIN ON TAIL
- 4 = 2µm TIN MIN FULL PLATED
- 5 = 0.25µm GOLD/GXT ON CONTACT AREA, 2µm TIN MIN ON TAIL
- 8 = 0.38µm GOLD/GXT ON CONTACT AREA, 2µm TIN MIN ON TAIL

- 1.27µm NICKEL MIN UNDERLAYER FOR ALL PLATING VERSIONS



mat'l. code		surface		tolerance		projection		product family	
		ISO 1302 ✓		ISO 406 ISO 1101				BERGSTIK	
ltr	ecn no	dr	date	tolerances unless otherwise specified		mm		title	
N	F08-0253	LMU	08.12.10					UNSHR.HEADER	
P	B-18789	LMU	14.09.11	angles	linear	scale N/A		DR SMT	
R	B-18983	LMU	14.10.03					dwg no	
S	B-20276	LMU	15.02.16	dr	D.LE	01.01.24		sheet 2 of - size	
T	B-20561	AMA	15.03.26	enr	JM.C	01.01.24		95278 A3	
U	F-22120	BVE	15.10.09	chr	JM.C	01.01.24		type	
				appd	JF.N	01.01.24		CUSTOMER Drawing	
sheet index	revision sheet								

Mouser Electronics

Authorized Distributor

Click to View Pricing, Inventory, Delivery & Lifecycle Information:

[FCI / Amphenol:](#)

[95278-801-16LF](#) [95278-801-18LF](#) [95278-801-20LF](#) [95278-801-22LF](#) [95278-801-24LF](#) [95278-801-26LF](#) [95278-801-28LF](#) [95278-801-30LF](#) [95278-801-32LF](#) [95278-801-34LF](#) [95278-801-36LF](#) [95278-801-38LF](#) [95278-801-40LF](#) [95278-801A04LF](#) [95278-801A06LF](#) [95278-801A08LF](#) [95278-801A10LF](#) [95278-801A12LF](#) [95278-801A14LF](#) [95278-801A16LF](#) [95278-801A20LF](#) [95278-801A34LF](#) [95278-801B04LF](#) [95278-801B06LF](#) [95278-801B10LF](#) [95278-801B14LF](#) [95278-801B16LF](#) [95278-801B18LF](#) [95278-801B20LF](#) [95278-801B26LF](#) [95278-801B30LF](#) [95278-801B36LF](#) [95278-801B40LF](#) [95278-801B46LF](#) [95278-801B50LF](#) [95278-801T10LF](#) [95278-801T20LF](#) [95278-802-04LF](#) [95278-802-06LF](#) [95278-802-08LF](#) [95278-802-10LF](#) [95278-802-12LF](#) [95278-802-14LF](#) [95278-802-16LF](#) [95278-802-18LF](#) [95278-802-20LF](#) [95278-802-22LF](#) [95278-802-24LF](#) [95278-802-26LF](#) [95278-802-28LF](#) [95278-802-30LF](#) [95278-802-32LF](#) [95278-802-34LF](#) [95278-802-36LF](#) [95278-802-38LF](#) [95278-802-40LF](#) [95278-802A16LF](#) [95278-802B08LF](#) [95278-802B10LF](#) [95278-802B14LF](#) [95278-802B16LF](#) [95278-802B20LF](#) [95278-802B34LF](#) [95278-802T06LF](#) [95278-802T08LF](#) [95278-802T10LF](#) [95278-802T12LF](#) [95278-802T16LF](#) [95278-802T20LF](#) [95278-802T30LF](#) [95278-802T34LF](#) [95278-802T40LF](#) [95278-101-34LF](#) [95278-101-42LF](#) [95278-101-46LF](#) [95278-101-48LF](#) [95278-101A28LF](#) [95278-101A40LF](#) [95278-101A44LF](#) [95278-101B18LF](#) [95278-101B28LF](#) [95278-101B36LF](#) [95278-101B38LF](#) [95278-101B42LF](#) [95278-101B44LF](#) [95278-101B46LF](#) [95278-101B48LF](#) [95278-102-06LF](#) [95278-102-42LF](#) [95278-102-44LF](#) [95278-102-46LF](#) [95278-102-48LF](#) [95278-102A12LF](#) [95278-102A16LF](#) [95278-102A20LF](#) [95278-102A22LF](#) [95278-102B06LF](#) [95278-102B08LF](#) [95278-102B12LF](#) [95278-102B16LF](#)