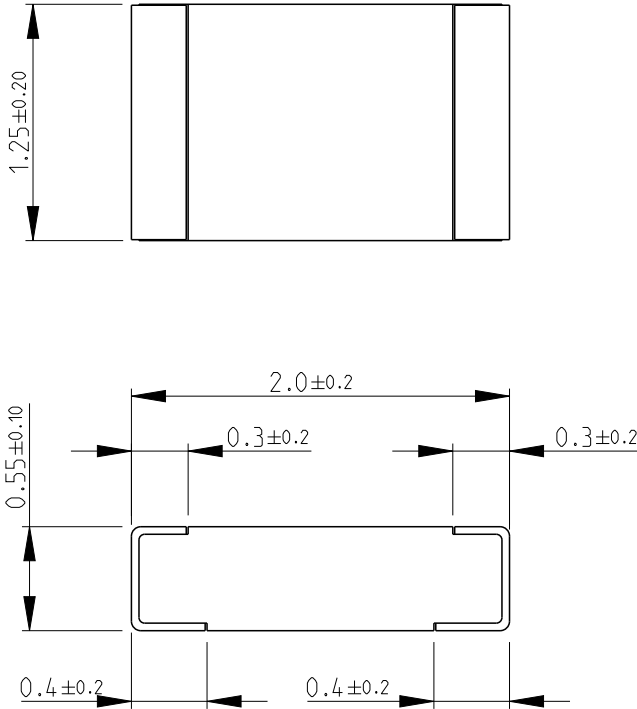
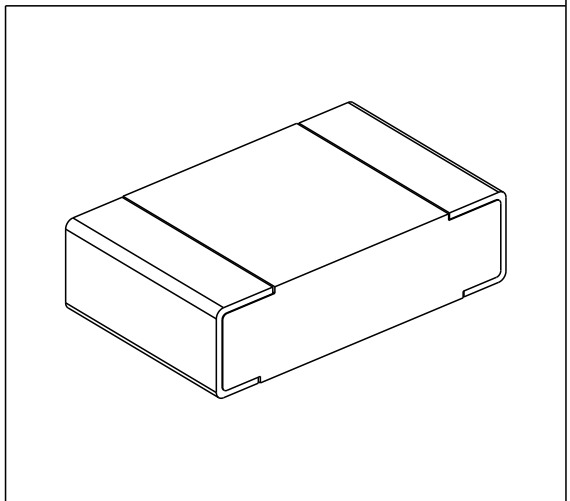


LOC	DIST	REVISIONS					
E	B	P	LTR	DESCRIPTION	DATE	DWN	APVD
		BA2		REVISED PER ECO-11-005150	29MAR2011	RK	HMR
		BA3		ECR-16-000106	05JAN2016	KR	TN

FOR FURTHER INFORMATION SEE DATA SHEET FOR CPF SERIES-THIN FILM PRECISION CHIP RESISTORS



RoHS Compliant




2008

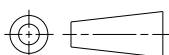
RELEASED FOR PUBLICATION

ALL RIGHTS RESERVED.

© COPYRIGHT 2008

THIS DRAWING IS UNPUBLISHED.

DIMENSIONS: mm	DWN	SUBHASH.M	22-Sep-08	MATERIAL	-	FINISH	-
	CHK	PRAKASH.S	22-Sep-08	 TE Connectivity			
TOLERANCES UNLESS OTHERWISE SPECIFIED:	APVD	STEPHEN.P	22-Sep-08				
	0 PLC	± 0.2	PRODUCT SPEC	SERIES CPF 0805			
1 PLC	± 0.1	-	APPLICATION SPEC	SIZE	A 4	CAGE CODE	00779
2 PLC	± -	-	-	DRAWING NO	C= 1614883		RESTRICTED TO
3 PLC	± -	-	-	SCALE	25:1	SHEET	1 OF 1
4 PLC	± -	-	-	REV	BA3		
ANGLES	± 5°	-	WEIGHT	CUSTOMER DRAWING			



Mouser Electronics

Authorized Distributor

Click to View Pricing, Inventory, Delivery & Lifecycle Information:

[TE Connectivity:](#)

[CPF0805B100KE1](#)