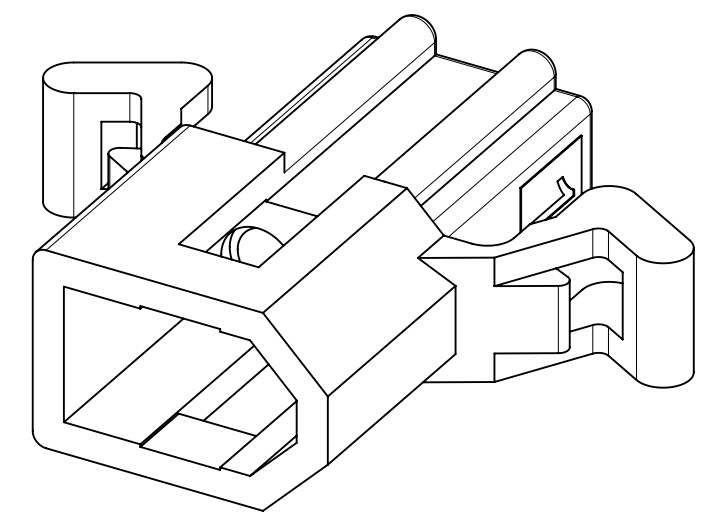
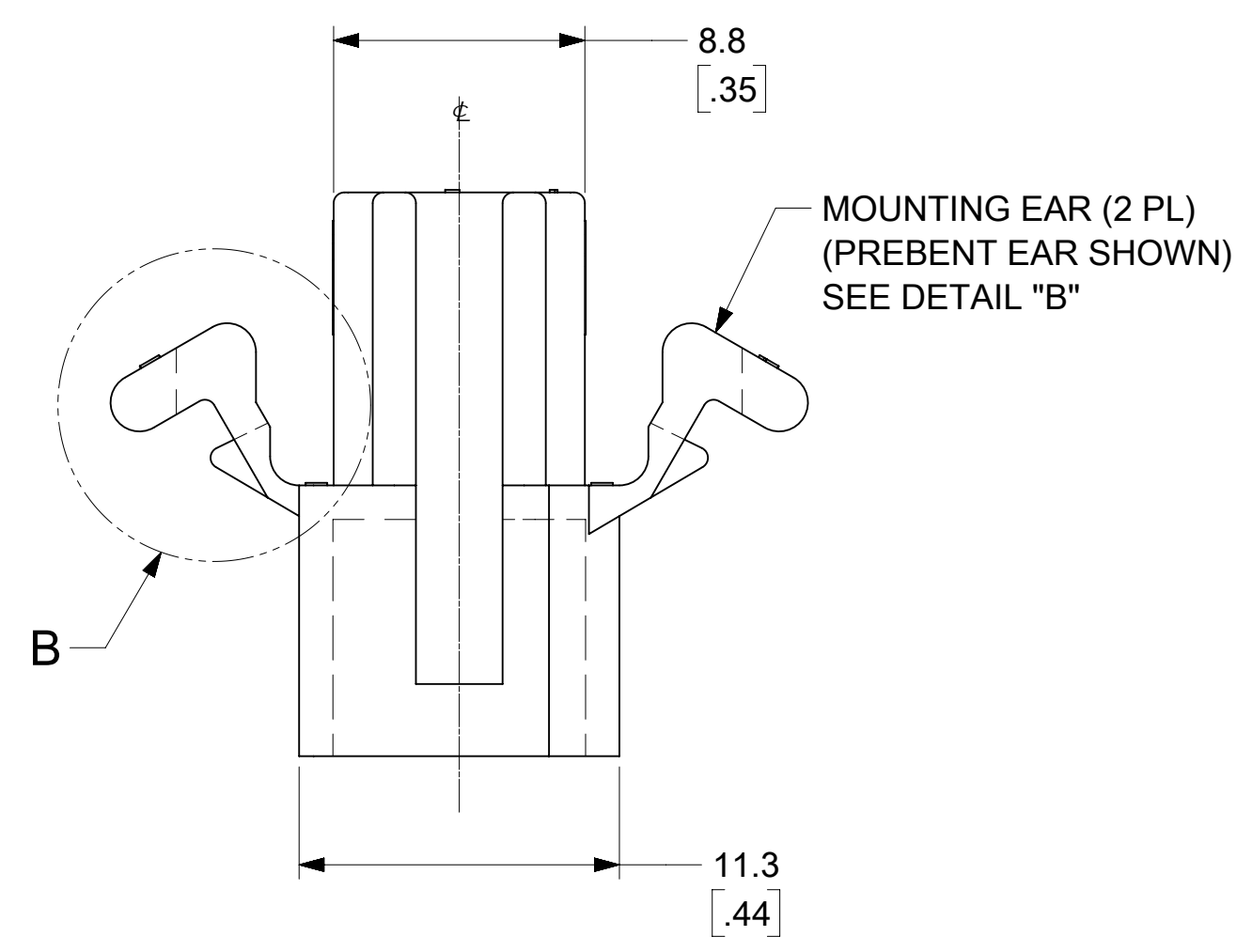
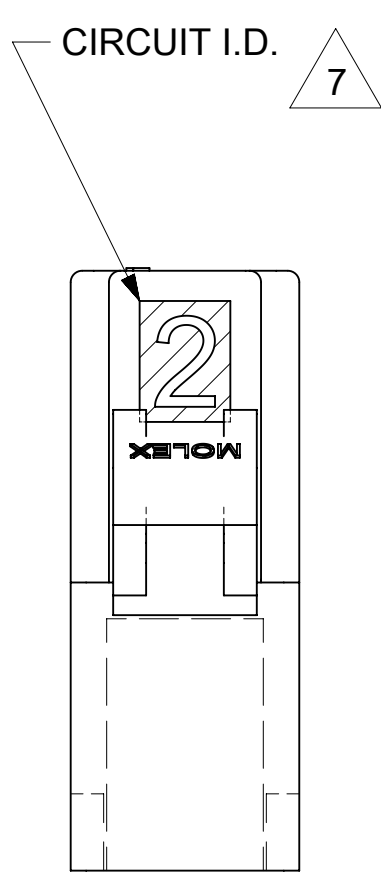


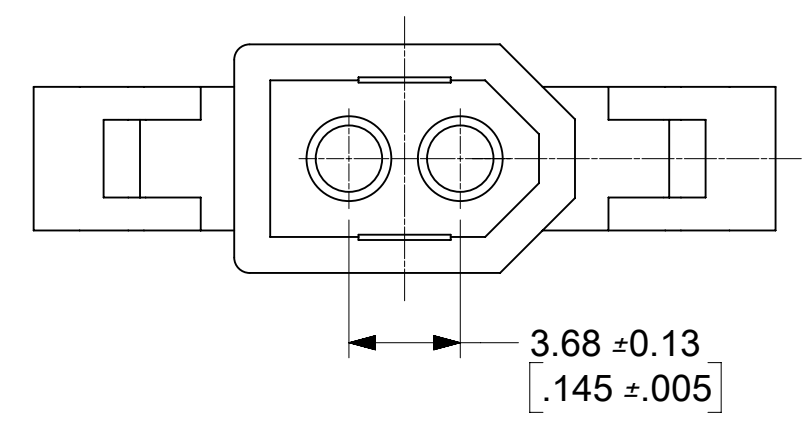
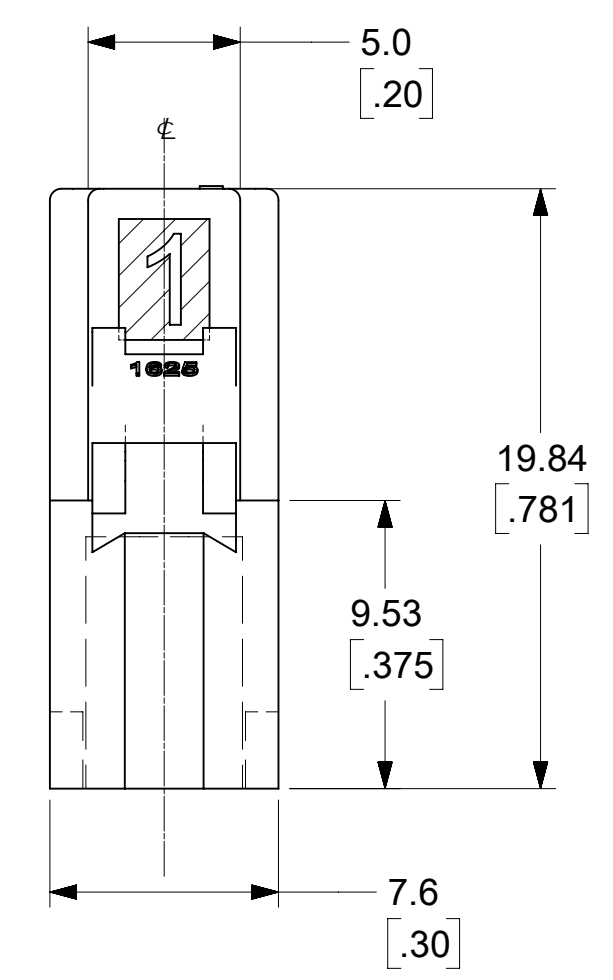
PLUG HOUSING WITH NO EARS



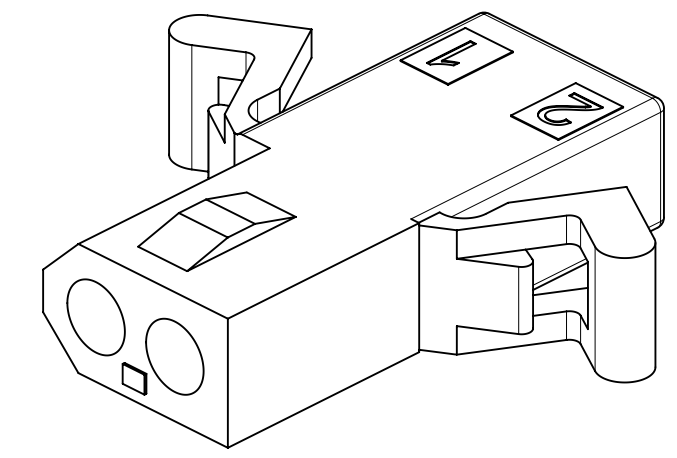
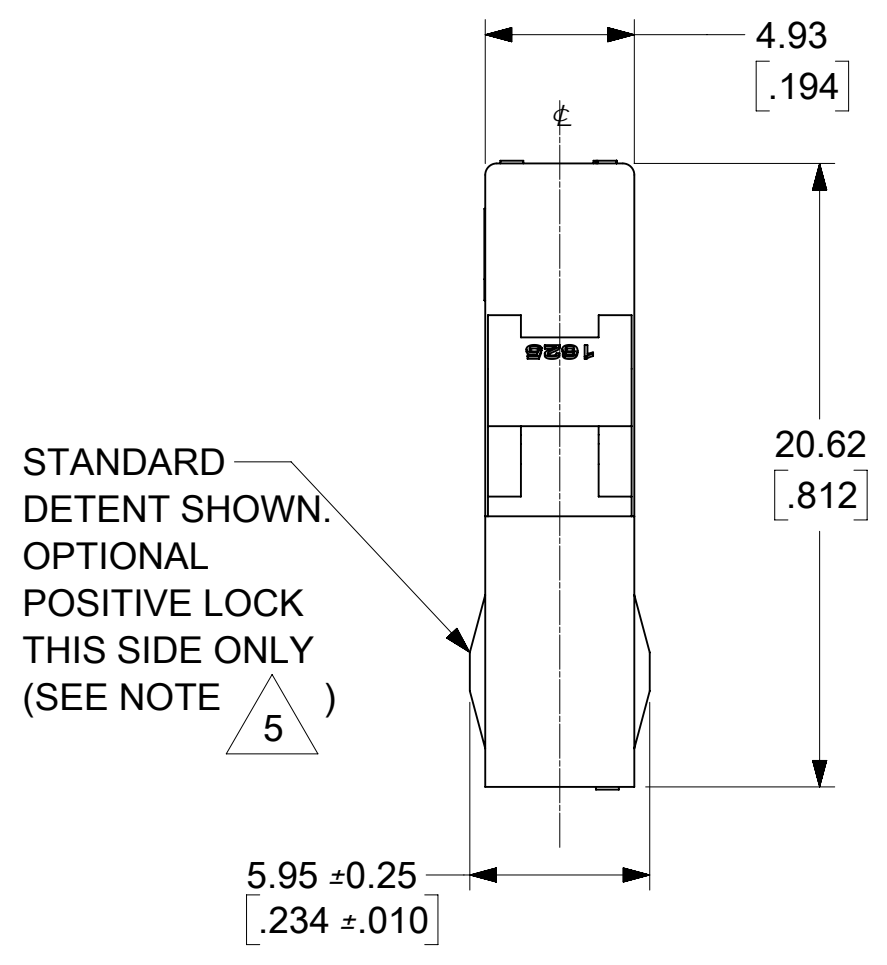
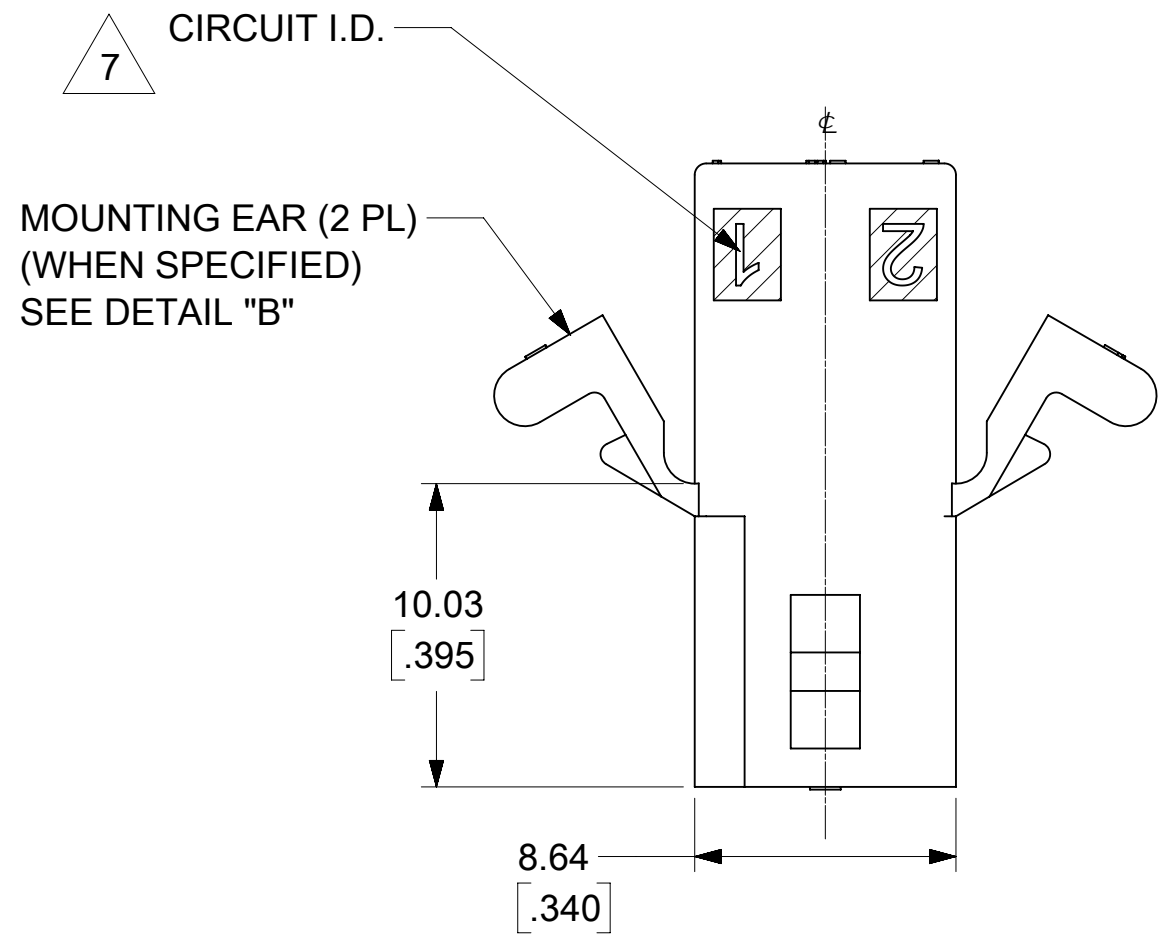
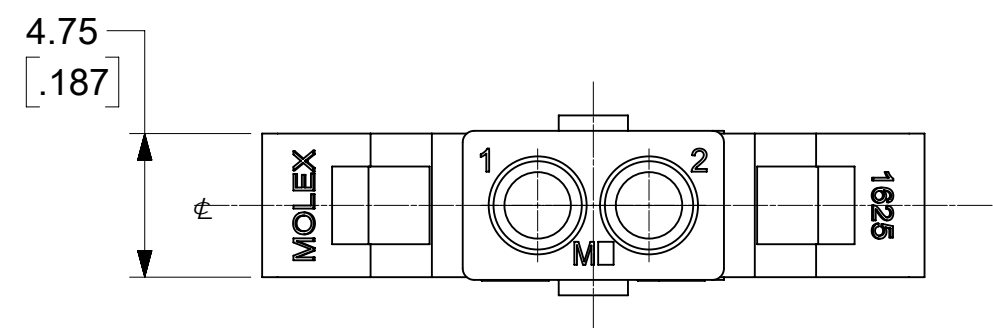
PLUG HOUSING WITH PREBENT EARS



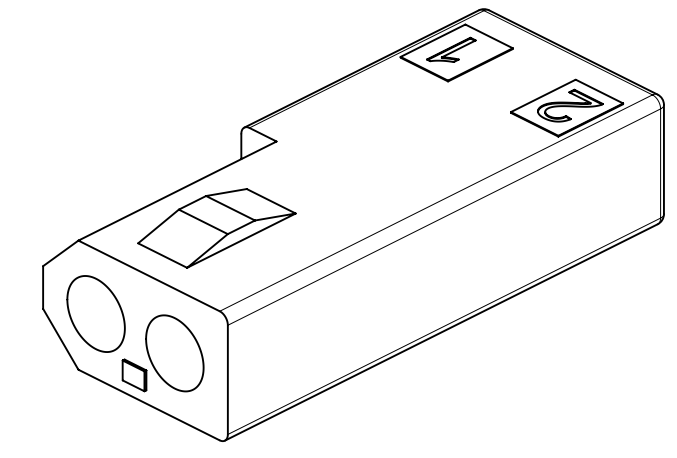
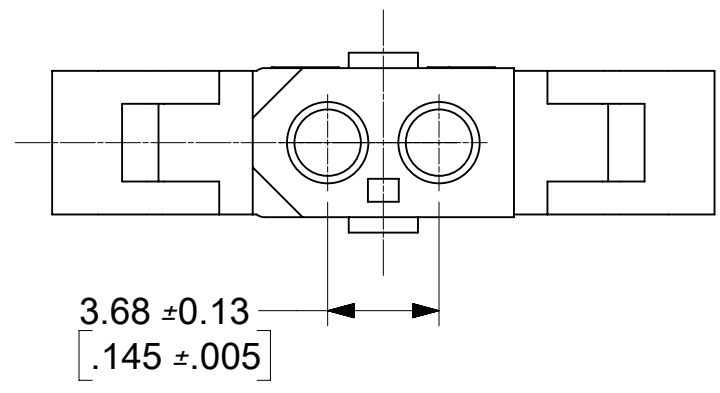
MOUNTING EAR (2 PL)
(PREBENT EAR SHOWN)
SEE DETAIL "B"



QUALITY SYMBOLS		THIS DRAWING CONTAINS INFORMATION THAT IS PROPRIETARY TO MOLEX ELECTRONIC TECHNOLOGIES, LLC AND SHOULD NOT BE USED WITHOUT WRITTEN PERMISSION																	
▽ = 0	REDRAWING IN NX EC NO: 120335 DRWN: MKIPPER CHKD: MKIPPER REV / APPR: FSMITH	GENERAL TOLERANCES (UNLESS SPECIFIED)				DIMENSION UNITS		SCALE											
▽ = 0						MM/IN		4:1											
▽ = 0						DRWN BY		DATE											
▽ = 0						4 PLACES ±		ZHARPER		2017/06/20		.062 2CKT PLUG AND RECEPTACLE HOUSING							
▽ = 0						3 PLACES ±		CHK'D BY		DATE									
▽ = 0						2 PLACES ± 0.18 ± 0.01		MKIPPER		2017/06/20		PRODUCT CUSTOMER DRAWING							
▽ = 0						1 PLACES ± 0.25 ±		APPR BY		DATE		SERIES		MATERIAL NUMBER		CUSTOMER			
▽ = 0						0 PLACES ±		FSMITH		2017/06/30		1625		SEE CHART					
▽ = 0						ANGULAR TOL = 1.0		DRAWING SIZE		THIRD ANGLE PROJECTION		DOCUMENT NUMBER		DOC TYPE		DOC PART		SHEET NUMBER	
▽ = 0						DRAFT WHERE APPLICABLE MUST REMAIN WITHIN DIMENSIONS		C				16250200-SD		PSD		000		1 OF 3	
▽ = 0																			



RECEPTACLE HOUSING
(1625-2R2 SHOWN)



RECEPTACLE HOUSING
(1625-2R3 SHOWN)

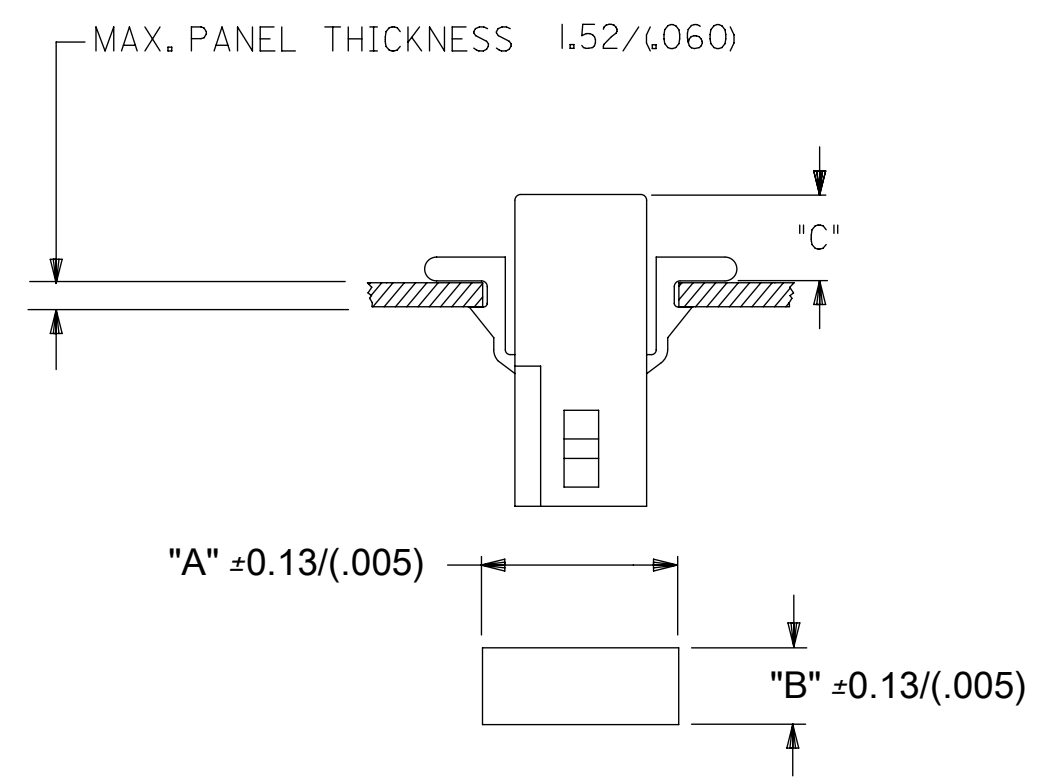
QUALITY SYMBOLS		THIS DRAWING CONTAINS INFORMATION THAT IS PROPRIETARY TO MOLEX ELECTRONIC TECHNOLOGIES, LLC AND SHOULD NOT BE USED WITHOUT WRITTEN PERMISSION										
▽ = 0	▽ = 0	REDRAWING IN NX EC NO: 120335 DRWN: MKIPPER CHKD: MKIPPER REV / APPR: FSMITH	GENERAL TOLERANCES (UNLESS SPECIFIED)				DIMENSION UNITS	SCALE	molex			
▽ = 0	▽ = 0		MM		INCH		MM/IN	4:1				
▽ = 0	▽ = 0		4 PLACES	±	±	DRWN BY	DATE	.062 2CKT PLUG AND RECEPTACLE HOUSING				
▽ = 0	▽ = 0		3 PLACES	±	± 0.007	ZHARPER	2017/06/20					
▽ = 0	▽ = 0		2 PLACES	± 0.18	± 0.01	CHK'D BY	DATE	PRODUCT CUSTOMER DRAWING				
▽ = 0	▽ = 0		1 PLACES	± 0.25	±	MKIPPER	2017/06/20					
▽ = 0	▽ = 0	0 PLACES	±	±	APPR BY	DATE	SERIES MATERIAL NUMBER CUSTOMER					
▽ = 0	▽ = 0	ANGULAR TOL = 1.0		DRAWING SIZE		THIRD ANGLE PROJECTION					1625	SEE CHART
▽ = 0	▽ = 0	DRAFT WHERE APPLICABLE MUST REMAIN WITHIN DIMENSIONS				C		DOCUMENT NUMBER		DOC TYPE	DOC PART	SHEET NUMBER
▽ = 0	▽ = 0	A		REV / APPR: FSMITH		C		16250200-SD		PSD	000	2 OF 3

PLUG	
PART NO.	ENG. NO.
03-06-7023	1625-2P1BK
03-06-2023	1625-2P1
03-06-2024	1625-2P2

PLUG LEGEND:
 1625-2P **
 CIRCUIT SIZE
 P = PLUG
 1 = WITHOUT MOUNTING EARS
 2 = WITH PREBENT MOUNTING EARS
 BLANK = NATURAL
 BK = BLACK

RECEPTACLE	
PART NO.	ENG. NO.
03-06-6023	1625-2R1BK
03-06-1023	1625-2R1
03-06-1022	1625-2R2

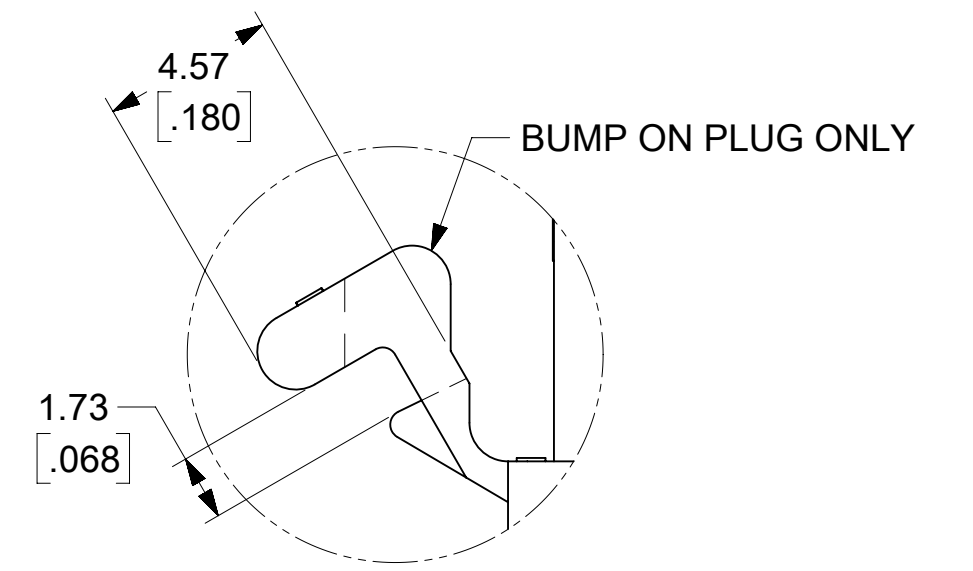
RECEPTACLE LEGEND:
 1625-2R **
 CIRCUIT SIZE
 R = RECEPTACLE
 1 = WITHOUT MOUNTING EARS; WITH DETENTS
 2 = WITH PREBENT MOUNTING EARS; WITH DETENTS
 BLANK = NATURAL
 BK = BLACK



"A" $\pm 0.13/(.005)$
 "B" $\pm 0.13/(.005)$

RECOMMENDED HOLE PATTERN
(NOT TO SCALE)

HOUSING	DIM. "A"	DIM. "B"	PREBENT EAR DIM. "C"	STD. EAR DIM. "C"
PLUG	15.47 [.609]	8.08 [.318]	6.0 [.24]	6.1 [.24]
RECEPTACLE	12.83 [.505]	6.73 [.265]	6.4 [.25]	6.4 [.25]

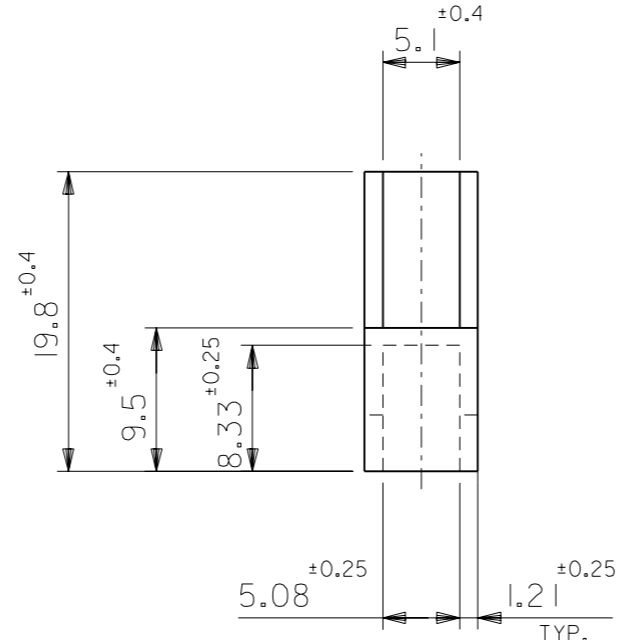
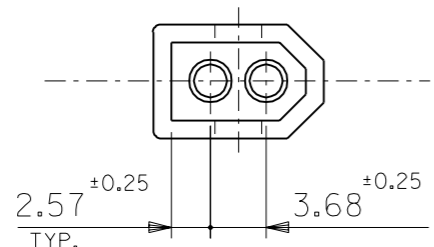
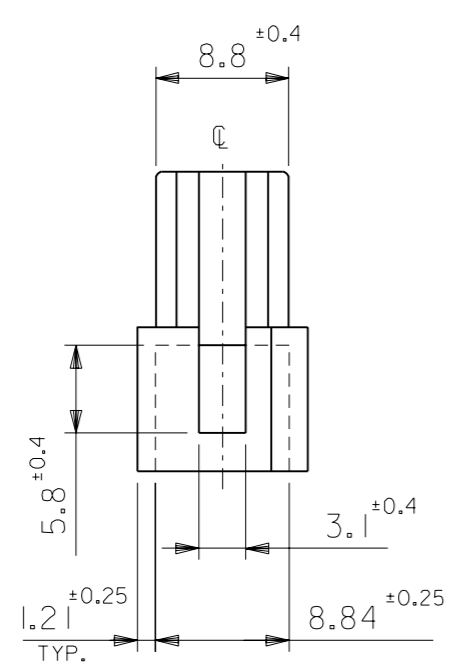
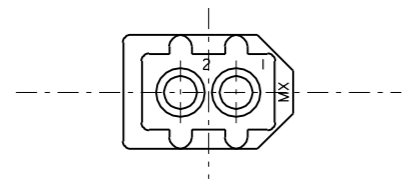


DETAIL B
SCALE 5:1

- NOTES:**
1. MATERIAL - NYLON TYPE 6/6, 94V-2
 2. FINISH: NONE
 3. PRODUCT SPECIFICATION: PS-02-06
 4. PACKAGING SPECIFICATION: PK-1625-003.
 5. HOUSING FOR USE WITH MOLEX .062/(1.57) DIA. SERIES TERMINALS.
 6. CIRCUIT I.D. NUMBERS ON SIDE OF HOUSING APPEAR ON PARTS FROM TOOLS BUILT AFTER 07/01/1991.
 7. THIS PART CONFORMS TO CLASS B REQUIRMENTS OF COSMETIC SPECIFICATION PS-45499-002.
 8. THIS DRAWING REPLACES SD-1625-2*.

QUALITY SYMBOLS 	THIS DRAWING CONTAINS INFORMATION THAT IS PROPRIETARY TO MOLEX ELECTRONIC TECHNOLOGIES, LLC AND SHOULD NOT BE USED WITHOUT WRITTEN PERMISSION				
	REDRAWING IN NX EC NO: 120335 DRWN: MKIPPER CHKD: MKIPPER REV / APPR: FSMITH	GENERAL TOLERANCES (UNLESS SPECIFIED) MM/IN 4 PLACES \pm \pm 3 PLACES \pm ± 0.007 2 PLACES ± 0.18 ± 0.01 1 PLACES ± 0.25 \pm 0 PLACES \pm \pm		DIMENSION UNITS MM/IN	SCALE 4:1
		DRWN BY: ZHARPER DATE: 2017/06/20		molex .062 2CKT PLUG AND RECEPTACLE HOUSING	
		CHK'D BY: MKIPPER DATE: 2017/06/20		APPR BY: FSMITH DATE: 2017/06/30	
ANGULAR TOL = 1.0 DRAFT WHERE APPLICABLE MUST REMAIN WITHIN DIMENSIONS		DRAWING SIZE C	THIRD ANGLE PROJECTION 		
PRODUCT CUSTOMER DRAWING SERIES: 1625 MATERIAL NUMBER: SEE CHART CUSTOMER:		DOCUMENT NUMBER: 16250200-SD DOC TYPE: PSD DOC PART: 000 SHEET NUMBER: 3 OF 3			

DWG. NO. SD-1625-2P1



注記
NOTE

材質: ナイロン66, 94V-2
MATERIAL: NYLON66, 94V-2

DIMENSIONS IN METRIC DO NOT SCALE DRAWING

角度 ANGLE	±3°							材料 MATERIAL	☑中参照 REFER TO DRAWING
30 以上 OVER	±0.3							仕上げ FINISH	—
10 以上 30 未満 OVER 30 UNDER	±0.25	E	REVISED	(JC90389)	S.K.	M.F.	'98/12/23	適用電線範囲 WIRE RANGE	—
10 未満 UNDER	±0.2	D	再作図 REDRAWN	(JC70302)	H.I.	M.F.	'96/07/08	被覆外径 INS. RANGE	—
一般公差 GENERAL TOLERANCES		記号 LTR	変更内容 REVISION RECORD		DR. CHK.	日付 DATE		DRAWN BY '98/12/23	CHK'D BY '98/12/23
								H.IIJIMA	S.KUNISHI
								APP'D BY '98/12/23	尺度 SCALE 2 : 1
								M.FUKUSHIMA	

1625-2P1	03-06-2023
ENG NO.	PART NO.
MOLEX-JAPAN CO.,LTD. 日本モレックス株式会社	
REVISE ONLY ON CAD SYSTEM	
TITLE 名称	
.062 DIA. 2 CIRCUIT PLUG HOUSING	
DWG. NO.	REV
SD-1625-2P1	E