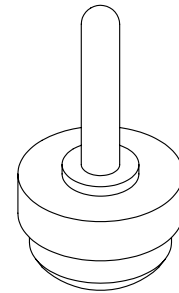
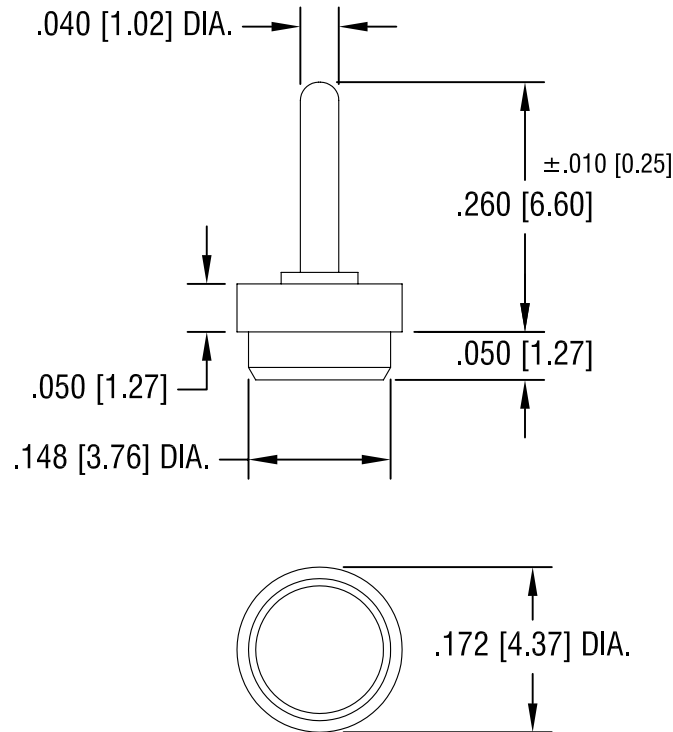
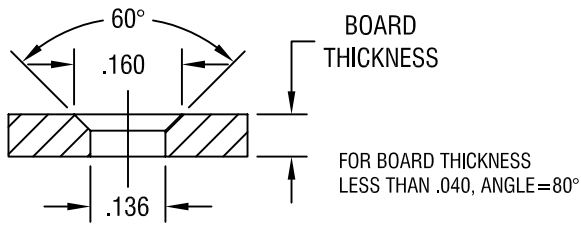


THIS DOCUMENT IS THE PROPERTY OF
KEYSTONE ELECTRONICS CORP. AND
SHALL NOT BE REPRODUCED, DISTRIBUTED
OR USED AS A BASIS FOR MANUFACTURE
WITHOUT PRIOR WRITTEN PERMISSION
FROM KEYSTONE ELECTRONICS CORP.

MOUNTING DETAIL



NOTES:

1. PIN: MAT'L - BRASS
FINISH: TIN
2. BUSHING: MAT'L - PTFE (TEFLON)
COLOR: WHITE

KEYSTONE ELECTRONICS CORP.

ASTORIA, N.Y. 11105-2017

| | | | | | |
|--------------|--------|-----------|----------------------------|-------------------------|----------|
| PART NAME | | | | PTFE INSULATED TERMINAL | |
| MATERIAL | | | | AS NOTED | |
| FINISH | | DRN BY | N.T. | DATE | 11.05.07 |
| AS NOTED | | APP'D | LN | SCALE | 5X |
| TOLERANCES | INCH | [MM] | CODE | DWG NO. | |
| DECIMAL | ± .005 | [± 0.15] | C | 11069 | |
| ANGULAR ± 1° | | | UNLESS OTHERWISE SPECIFIED | | |

| | | |
|------|-------------|------|
| DATE | DESCRIPTION | REV. |
|------|-------------|------|

Mouser Electronics

Authorized Distributor

Click to View Pricing, Inventory, Delivery & Lifecycle Information:

[Keystone Electronics:](#)

[11069](#)