

D-SUB panel mounting frames - VS-25-A - 1689750

Please be informed that the data shown in this PDF Document is generated from our Online Catalog. Please find the complete data in the user's documentation. Our General Terms of Use for Downloads are valid (<http://phoenixcontact.com/download>)



D-SUB panel mounting frame, shell size 3, IP67 degree of protection



Key Commercial Data

Packing unit	1 pc
Minimum order quantity	5 pc
Weight per Piece (excluding packing)	12.03 g
Custom tariff number	85389099
Country of origin	Germany

Technical data

Environmental Product Compliance

REACH SVHC	DEHP 117-81-7
------------	---------------

Mechanical characteristics

Insertion/withdrawal cycles	≥ 1000
Color	gray

Ambient conditions

Ambient temperature (operation)	-40 °C ... 80 °C
---------------------------------	------------------

Material data

Flammability rating according to UL 94	V0
Housing material	PA
Material	Plastic
Sealing material	Flat gasket: NBR; profile gasket: EPDM
Seal material	Flat gasket: NBR; profile gasket: EPDM

Electrical characteristics

D-SUB panel mounting frames - VS-25-A - 1689750

Technical data

Electrical characteristics

Degree of pollution	2
---------------------	---

Standards and Regulations

Flammability rating according to UL 94	V0
--	----

Classifications

eCl@ss

eCl@ss 4.0	27140816
eCl@ss 4.1	27260701
eCl@ss 5.0	27260701
eCl@ss 5.1	27260701
eCl@ss 6.0	27261203
eCl@ss 7.0	27440202
eCl@ss 8.0	27440201

ETIM

ETIM 2.0	EC000437
ETIM 3.0	EC000437
ETIM 4.0	EC000437
ETIM 5.0	EC002309

UNSPSC

UNSPSC 6.01	31261501
UNSPSC 7.0901	31261501
UNSPSC 11	31261501
UNSPSC 12.01	31261501
UNSPSC 13.2	31261501

Approvals

Approvals

Approvals

EAC

Ex Approvals

D-SUB panel mounting frames - VS-25-A - 1689750

Approvals

Approvals submitted

Approval details

EAC

Accessories

Accessories

Protective cover

D-SUB protective cover - VS-25-SD - 1652211



D-SUB protective cover, shell size 3, IP54 degree of protection, for panel mounting frame and sleeve housing VS-25-...

Shroud

D-SUB EMC shroud - VS-25-A-EMV-S - 1689763

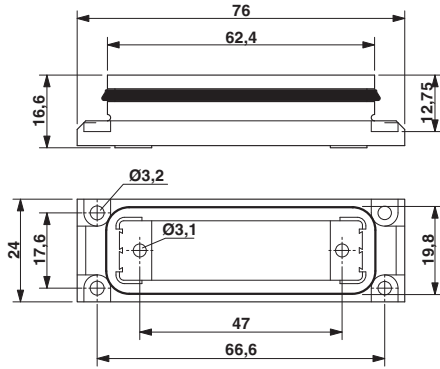


D-SUB EMC shroud, shell size 3, for panel mounting frame VS-25-...

Drawings

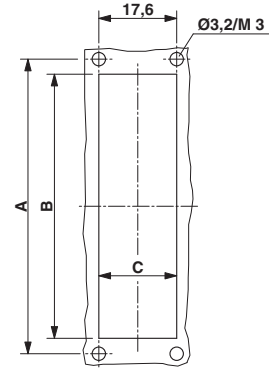
D-SUB panel mounting frames - VS-25-A - 1689750

Dimensional drawing



D-SUB panel mounting frame

Dimensional drawing



Panel cutout: VS-25-A...

Mouser Electronics

Authorized Distributor

Click to View Pricing, Inventory, Delivery & Lifecycle Information:

[Phoenix Contact:](#)

[1689750](#)