

TABLE 1	
DASH NO	DESCRIPTION
-1	CAP (NO CHAIN)
-2	CAP WITH 2.5 INCH BRASS CHAIN
-3	CAP WITH 2.5 INCH NYLON CHAIN
-4	CAP WITH 3.0 INCH BRASS CHAIN
-5	CAP WITH 3.0 INCH NYLON CHAIN
-6	CAP WITH 6.0 INCH BRASS CHAIN
-7	CAP WITH 6.0 INCH NYLON CHAIN
-8	CAP WITH 4.0 INCH BRASS CHAIN
-9	CAP WITH 4.0 INCH NYLON CHAIN
-10	CAP WITH 10.0 INCH BRASS CHAIN
-11	CAP WITH 10.0 INCH NYLON CHAIN
-12	CAP WITH 2.5 INCH SST ROPE
-13	CAP WITH 3.0 INCH SST ROPE
-14	CAP WITH 6.0 INCH SST ROPE
-15	CAP WITH 4.0 INCH SST ROPE
-16	CAP WITH 7.0 INCH SST ROPE
-17	CAP WITH 4.5 INCH SST ROPE
-18	CAP WITH 12 INCH SST ROPE

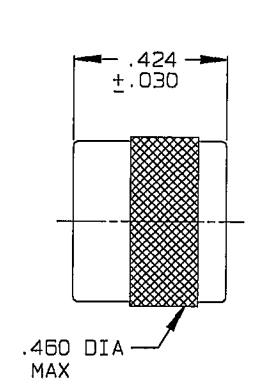
TABLE 2	
MODEL NO	TYPE
RFI55	3-LUG
RFI155	
RFI55FL	4-LUG
RFI155FL	
RFI355	THREADED
RFI3155	

TABLE 3				
DASH NO	"A" DIA	"B" DIA	"C" DIM	"D" DIM
-02	.630	.750	1.066	.450
-03	.505	.625	.941	.388
-04	.439	.562	.878	.355
-05	.380	.500	.816	.325
-06	.317	.437	.753	.295
-07	.281	.406	.722	.278
-08	.610	.750	1.066	.450
-09	.567	.687	1.003	.419
-D10	.192	.312	.628	.231
-D11	1.005	1.125	1.441	.638
-DD8	.330	.450	.766	.300

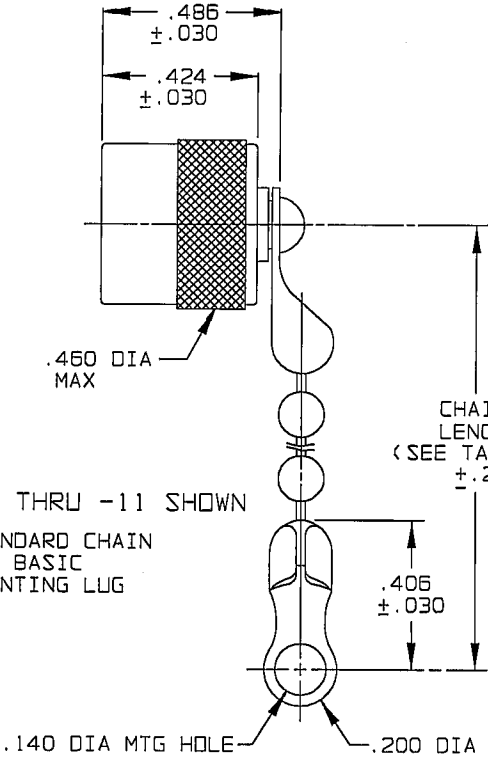
DATA CONTAINED IN THIS DOCUMENT IS PROPRIETARY TO TROMPETER ELECTRONICS INC. AND SHALL NOT BE DISCLOSED, COPIED OR USED FOR PROCUREMENT OR MANUFACTURE WITHOUT EXPRESS WRITTEN PERMISSION OF TROMPETER ELECTRONICS INC.

REVISIONS		1-0151	SH 1
REV	DESCRIPTION	DATE	APPROVED
M	REVISED PER ECO 15018	4-10-03	MM

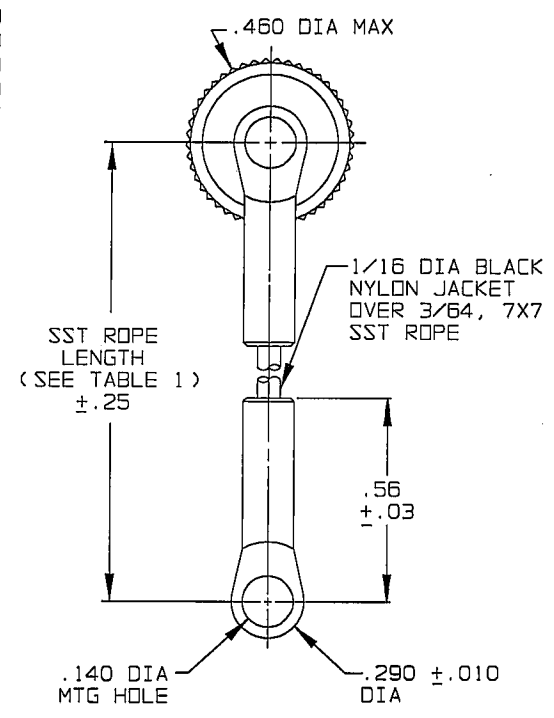
**RED INDICATES ORIGINAL**



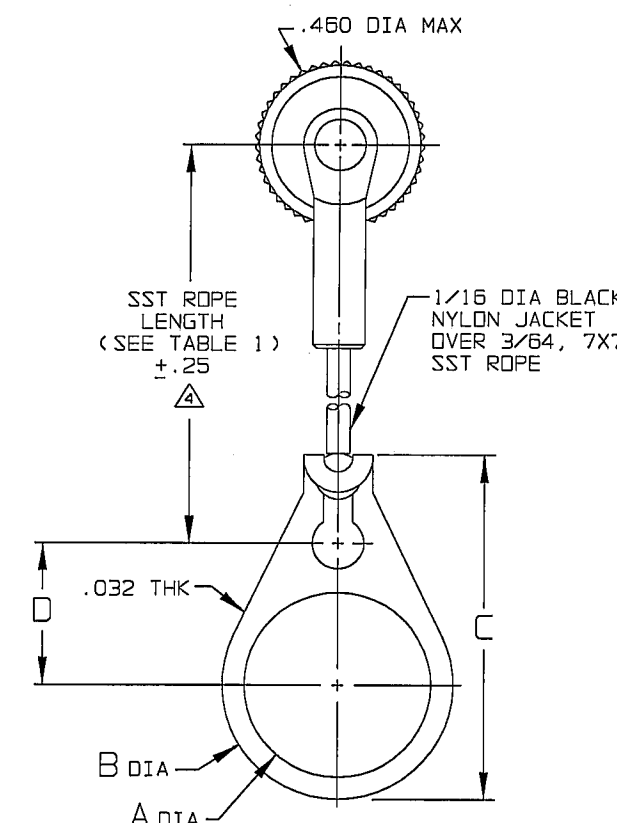
-1 SHOWN  
NO STAINLESS STEEL ROPE CHAIN OR MOUNTING LUG



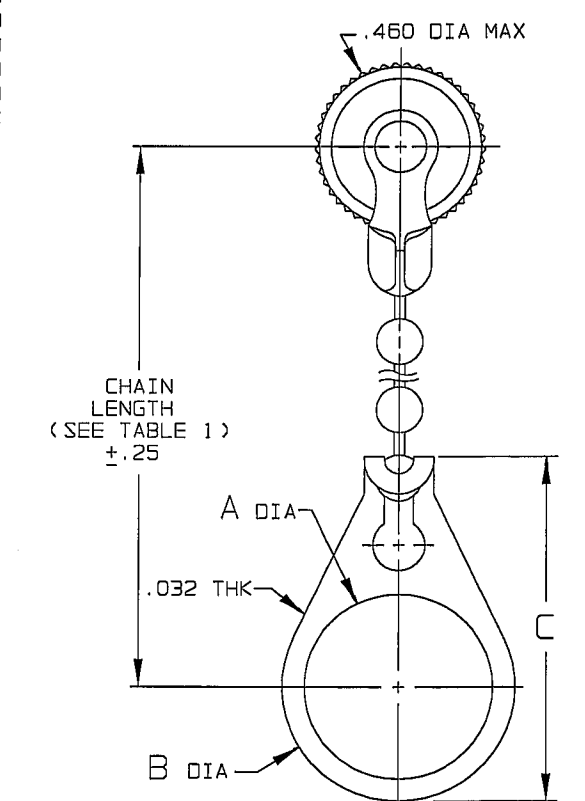
-2 THRU -11 SHOWN  
STANDARD CHAIN AND BASIC MOUNTING LUG



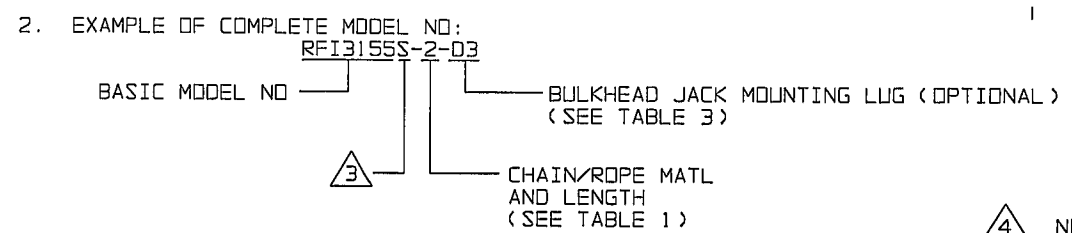
-12 THRU -18 SHOWN  
STAINLESS STEEL ROPE AND BASIC MOUNTING LUG



-12-02 THRU -18-DD8 SHOWN  
STAINLESS STEEL ROPE AND BULKHEAD JACK MOUNTING LUG



-2-02 THRU -11-DD8 SHOWN  
STANDARD CHAIN AND BULKHEAD JACK MOUNTING LUG



- ⚠ NOTE THAT CHAIN LENGTH FOR SST ROPE WITH MOUNTING LUG OPTION IS NOT MEASURED TO CENTER OF BULKHEAD MOUNTING LUG
- ⚠ IF SAFETY WIRE REQUIRED ADD SUFFIX "S" TO MODEL NO. (i.e. RFI3155S)

- 1. MALE 3 & 4-LUG & THREADED STYLE SUBMINIATURE RFI DUST CAP WITH OR WITHOUT CHAIN OR JACKETED STAINLESS STEEL ROPE AND MOUNTING OPTION

INTERPRET DRAWING PER MIL-STD-100 DIMENSIONS ARE IN INCHES AND INCLUDE FINISH THICKNESS UNLESS OTHERWISE SPECIFIED		TOL.: UNLESS SPECIFIED .XX .XXX ±.005 .XXXX ANGLES MATERIAL:		
DRAWN: AAH CHECKED: [Signature] DATE: 4-9-03	DATE: 4-9-03 DATE: 4/10/03 DATE: 4/10/03	TITLE: RFI55/RFI155/RFI55FL/RFI155FL/RFI355/RFI3155	SIZE: B CAGE CODE: 14949 SCALE: 2/1	
NEXT ASSY:		DRAWING NO.: 1-0151 DATE: 2-22-77	REV. M SHEET 1C	DO NOT SCALE DWG

# Mouser Electronics

Authorized Distributor

Click to View Pricing, Inventory, Delivery & Lifecycle Information:

## Cinch Connectivity Solutions:

[RFI3155-1](#) [RFI3155-12-D4](#) [RFI3455-6](#) [RFI3455-2-DD8](#) [RFI3155S-6](#) [RFI3455-1](#) [RFI3455-13-D6](#)