

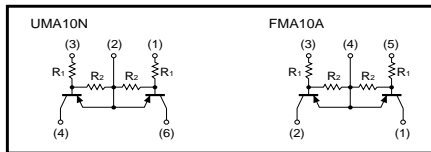
General purpose (dual digital transistors)

UMA10N / FMA10A

●Features

- 1) Two DTA113Z chips in a UMT package.

●Equivalent circuits



●Absolute maximum ratings (Ta=25°C)

Parameter	Symbol	Limits	Unit
Supply voltage	V _{CC}	-50	V
Input voltage	V _{IN}	-10	V
		5	
Output current	I _O	-100	mA
Power dissipation	P _d	150(TOTAL)	mW *1
		300(TOTAL)	
Junction temperature	T _J	150	°C
Storage temperature	T _{stg}	-50~+150	°C

*1 120mW per element must not be exceeded.
*2 200mW per element must not be exceeded.

●Package, marking, and packaging specifications

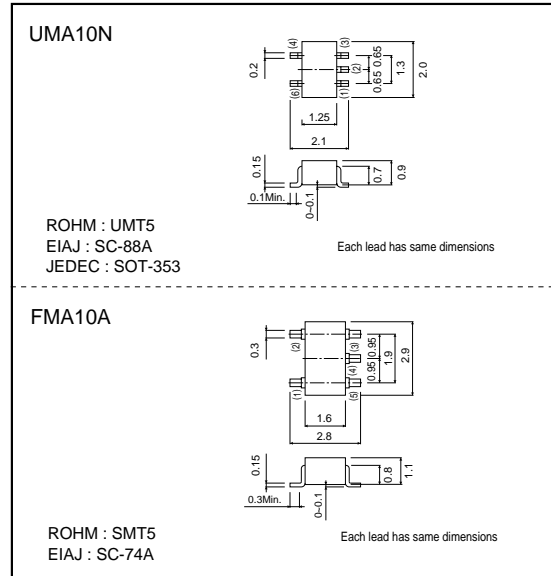
Part No.	UMA10N	FMA10A
Package	UMT5	SMT5
Marking	A10	A10
Code	TR	T148
Basic ordering unit (pieces)	3000	3000

●Electrical characteristics (Ta=25°C)

Parameter	Symbol	Min.	Typ.	Max.	Unit	Conditions
Input voltage	V _{I(off)}	-	-	-0.3	V	V _{CC} =-5V, I _O =-100μA
	V _{I(on)}	-3.0	-	-		V _O =-0.3V, I _O =-20mA
Output voltage	V _{O(on)}	-	-0.1	-0.3	V	I _O /I _C =-10mA/-0.5mA
Input current	I _I	-	-	-7.2	mA	V=-5V
Output current	I _{O(off)}	-	-	-0.5	μA	V _{CC} =-50V, V _I =0V
DC current gain	G _I	33	-	-	-	V _O =-5V, I _O =-5mA
Input resistance	R _I	0.7	1.0	1.3	kΩ	-
Resistance ratio	R ₂ /R ₁	8	10	12	-	-
Transition frequency	f _T	-	250	-	MHz	V _{CC} =-10V, I _E =5mA, f=100MHz

* Transition frequency of the device.

●External dimensions (Units : mm)



Mouser Electronics

Authorized Distributor

Click to View Pricing, Inventory, Delivery & Lifecycle Information:

[ROHM Semiconductor:](#)

[FMA10AT148](#)