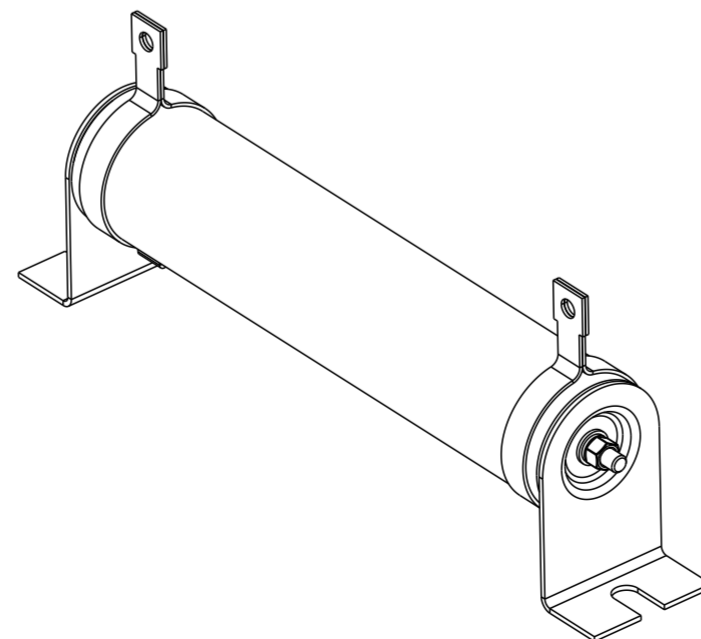
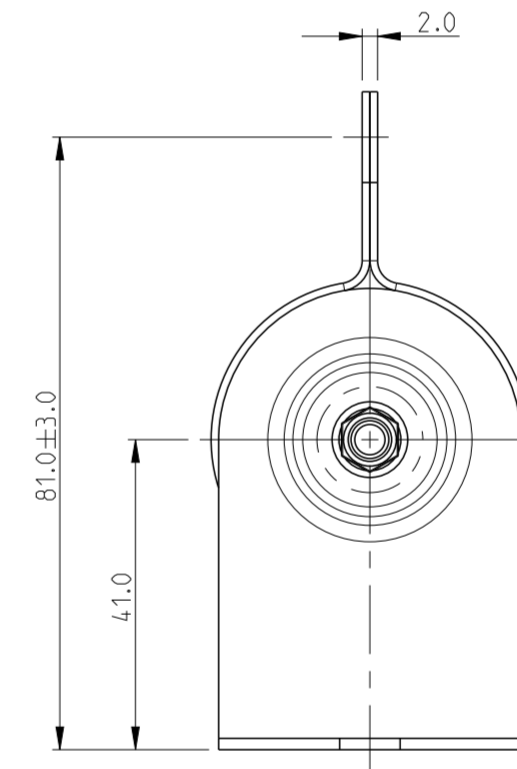


THIS DRAWING IS UNPUBLISHED. RELEASED FOR PUBLICATION 2011
 © COPYRIGHT 2011 BY TYCO ELECTRONICS CORPORATION ALL RIGHTS RESERVED.


LOC		DIST		REVISIONS			
P	LTR	DESCRIPTION		DATE	DWN	APVD	
	BB	ECR-15-016499		16NOV2015	KR	TN	

NOTES:

1. POWER RATING: 200W
2. INSULATION RESISTANCE: DC 500V - 20 M Ohms Min
3. VOLTAGE RESISTABILITY: AC 2500V 1 MINUTE
4. UP TO 9R1 RIBBED 10R UPWARD SMOOTH.
5. TUBE BORE AND SIDE FACES SHOULD BE FREE OF PAINT
6. PARTS SHALL BE BLANK, SMOOTH, FREE OF BURRS AND ALL OTHER FOREIGN MATERIAL
7. FOR FURTHER INFORMATION SEE DATASHEET FOR TE SERIES HIGH POWER WIRE WOUND RESISTOR
8. FOR SPECIFIC PART NUMBER, RESISTANCE VALUE AND TOLERANCE PLEASE REFER TO SMART PART SEARCH



RoHS Compliant

THIS DRAWING IS A CONTROLLED DOCUMENT.		DWN PRASAD K 26SEP2011	 TE Connectivity	
DIMENSIONS: mm		CHK J.CATCHPOLE 26SEP2011		
TOLERANCES UNLESS OTHERWISE SPECIFIED:		APVD J.CATCHPOLE 26SEP2011	NAME HIGH POWER WIRE WOUND RESISTOR TE 200W SERIES	
0 PLC ±0.5		PRODUCT SPEC	-	
1 PLC ±0.1		APPLICATION SPEC	-	
2 PLC ±0.05		WEIGHT	-	
3 PLC ±		Customer Drawing	SCALE 1:1	SHEET 1 OF 1
4 PLC ±				REV BB
ANGLES ±0.5°				
FINISH				

Mouser Electronics

Authorized Distributor

Click to View Pricing, Inventory, Delivery & Lifecycle Information:

[TE Connectivity:](#)

[4-1879447-0](#)