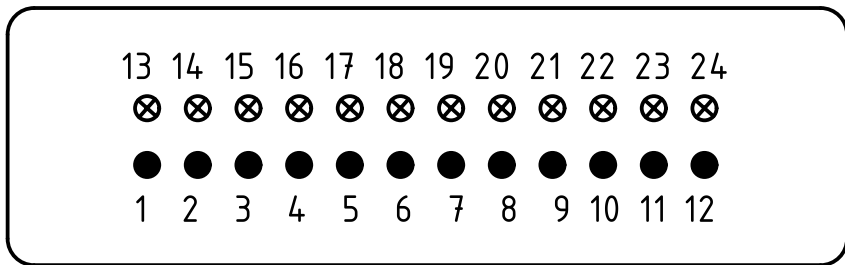
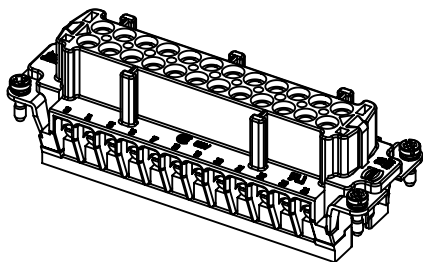
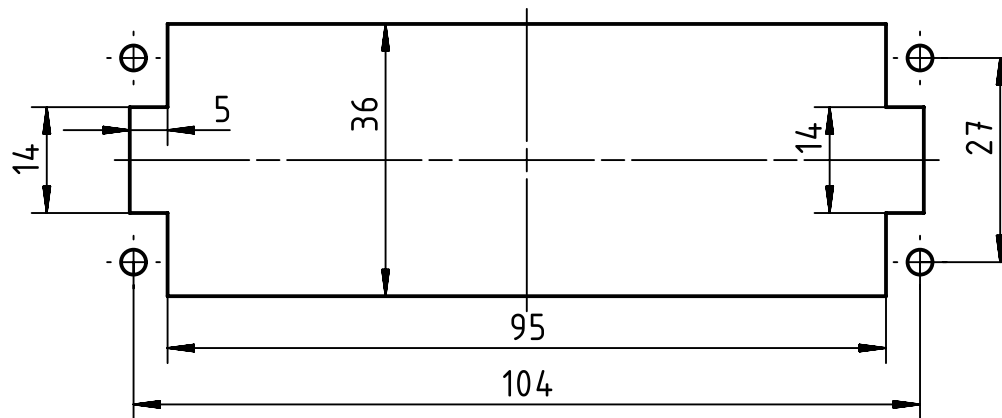


view from termination side



- ⊗ contacts CuNi
- contacts Fe (gold plated)

panel cut out



	All Dimensions in mm Original Size DIN A4		Scale 1:1	Free size tol.		Ref.		
	All rights reserved Department EL PD - DE		Created by RULLKOETTER	Inspected by SCHNIEDER	Standardisation TIEMANNA	Date 2015-01-08	State Final Release	
HARTING Electric GmbH & Co. KG D-32339 Espelkamp			Title Han 24E-F-Screw Fe(Au) / CuNi Type J				Doc-Key / ECM-Nr. 100130060/UGD/000/B 500000083413	
			Type TB	Number 09 33 024 2791			Rev. B	Page 1/1

Mouser Electronics

Authorized Distributor

Click to View Pricing, Inventory, Delivery & Lifecycle Information:

[HARTING:](#)

[09330242791](#)