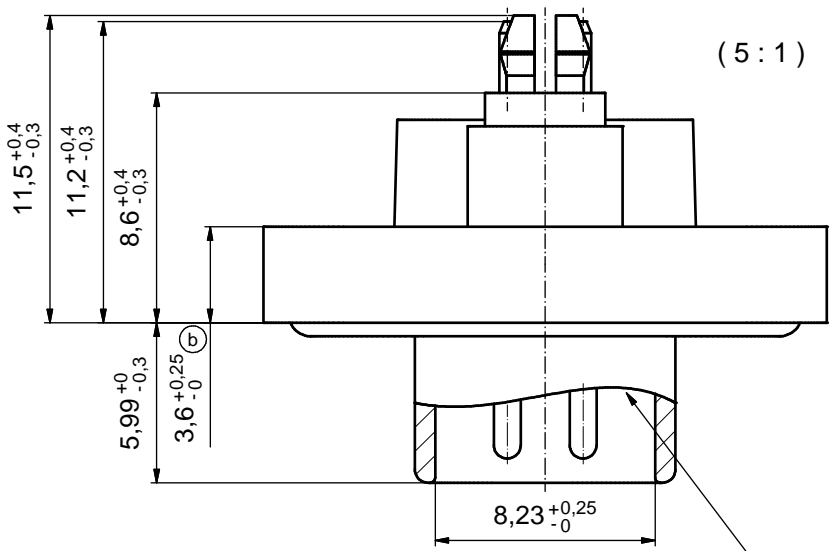


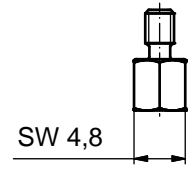
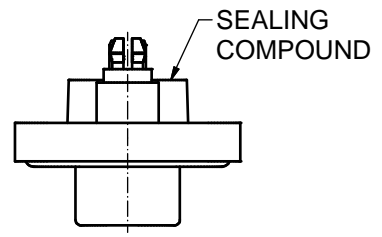
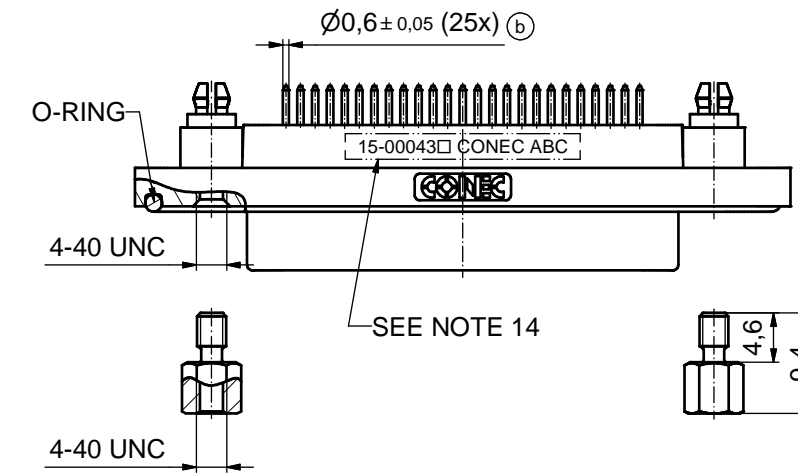
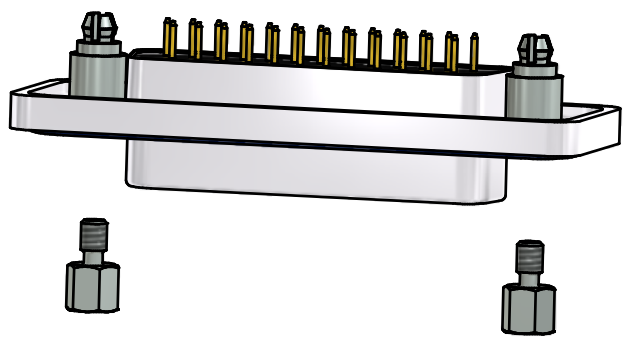
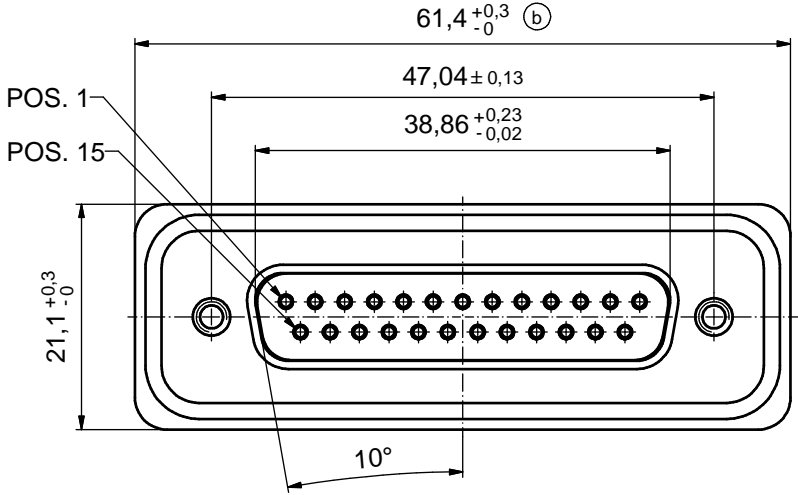
(b) (c)

NOTES:

1. FOR WAVESOLDERING (SOLDER BATH TEMPERATURE 265°C FOR 8 SEC. AND SOLDER PREHEAT 150°C FOR 180 SEC.)
2. IP RATING: IP 67
3. SEALED TO WITHSTAND PRESSURE UP TO 1,45 PSI FOR 30 MINUTES AFTER HIGH TEMPERATURE EXPOSURE
4. METAL SHELL: ZINC DIE CAST; min. 50µin NICKEL PLATING over COPPER
5. INSULATORS: PBT GF UL 94 V-0, BLACK
6. O-RING: SILICON; BLUE
7. RUBBER GASKET: TPE; BLACK
8. SEALING COMPOUND: EPOXY RESIN UL 94 V-0; BLACK
9. CONTACTS: COPPER ALLOY PLATING (SEE PART NO.):
 - PLEASE ADD 1 for 30µin HARD GOLD over min. 50µin NICKEL
 - PLEASE ADD 2 for 20µin HARD GOLD over min. 50µin NICKEL
 - PLEASE ADD 3 for GOLD FLASH over NICKEL
10. REAR SPACER CLIPS: COPPER ALLOY; min. 200µin TIN over 80µin NICKEL
PCB-HOLE: $\varnothing 3,1 \pm 0,1$; PCB THICKNESS 1,6mm
11. HEXLOCKING SCREWS: STAINLESS STEEL
12. PCB-HOLE DRILLINGS and RECOMMENDED PANEL CUT-OUT ON SHEET 2
13. RECOMMENDED TORQUE FOR MOUNTING SCREW 35Ncm (3.1 in.LB) / max.67Ncm (6 in.LB)
14. CONNECTOR IS PART MARKED: 15-00043 CONEC ABC (see note 9)



RUBBER GASKET PLACED ON TOP SURFACE OF MALE INSULATOR

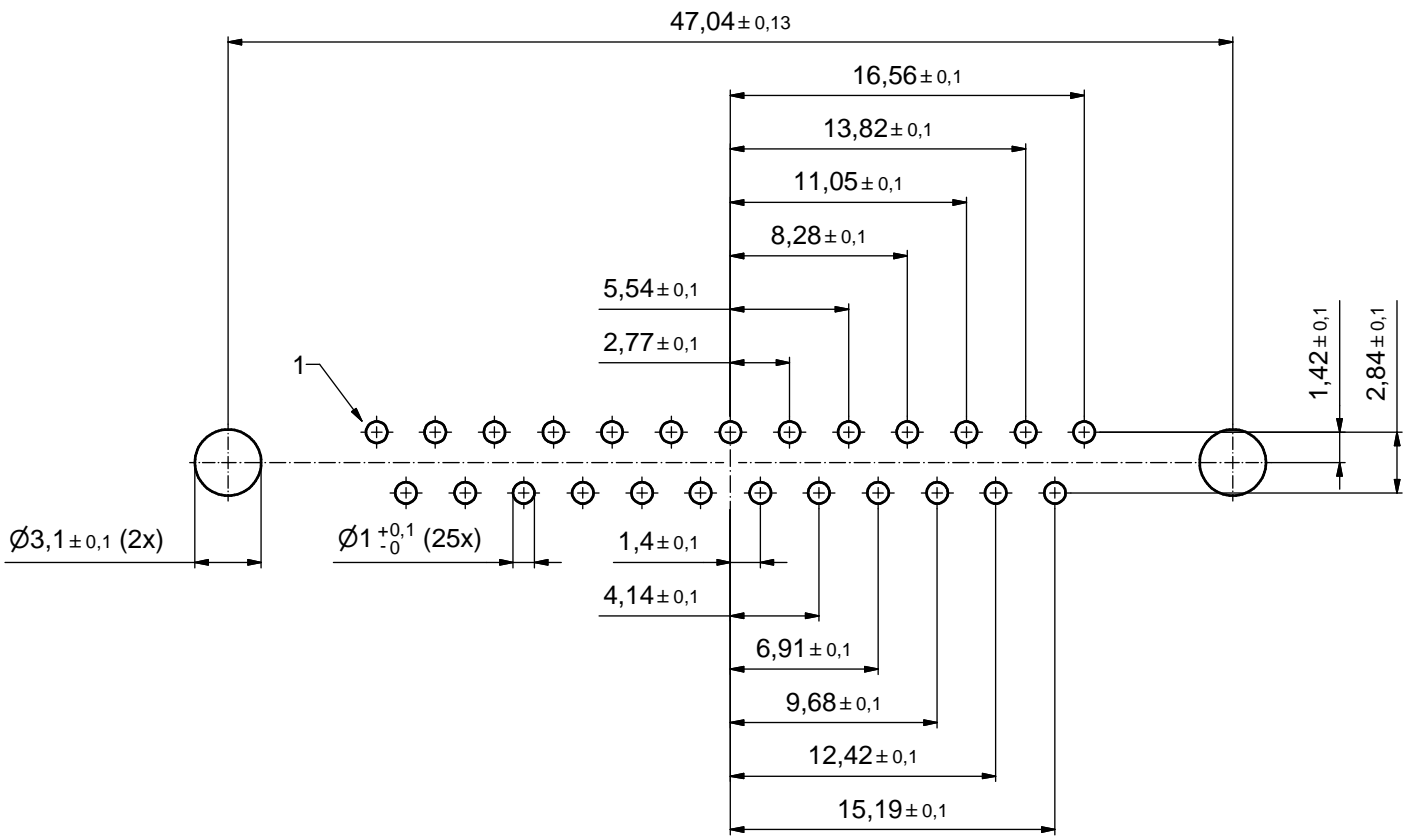


(b) AT ALL TIMES WATER RESISTANT CONNECTORS NOT IN USE SHOULD BE COVERED WITH A CONEC WATER RESISTANT CAP OR WATER TIGHT HOOD.

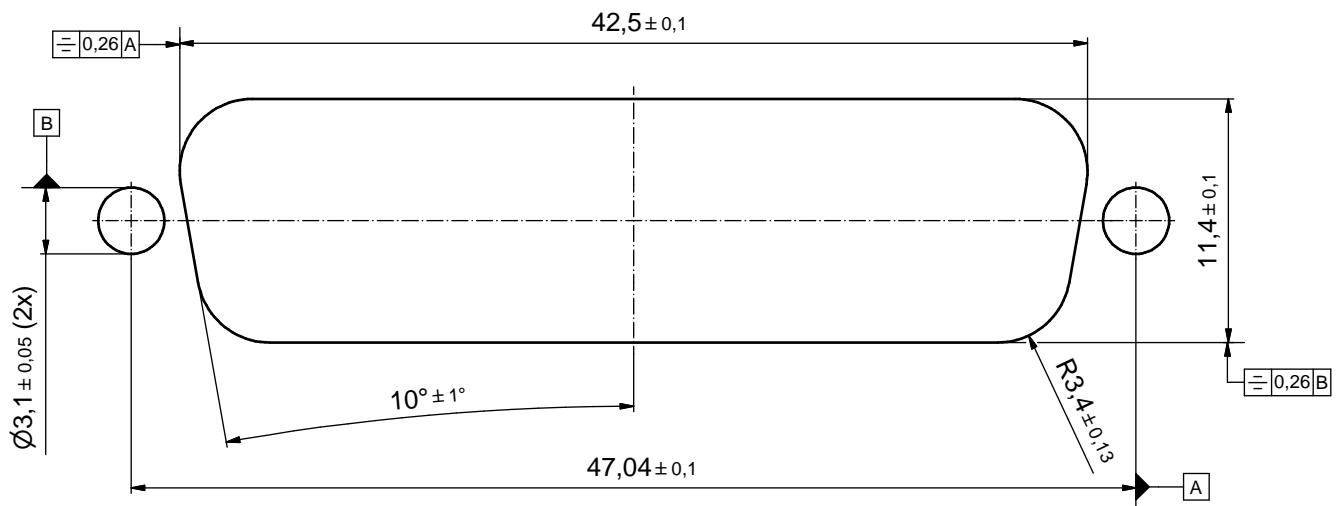
(c) RoHS compliant

THIS DRAWING MAY NOT BE COPIED OR REPRODUCED IN ANY WAY, AND MAY NOT BE PASSED ON TO A THIRD PARTY WITHOUT WRITTEN PERMISSION. OWNERSHIP AND COPYRIGHT OF CONEC GmbH				tolerance		scale: 2:1 (5:1)	
				dim. in mm		material: see notes	
DO NOT ALTER CAD DRAWING BY HAND				date	name	title: D-SUB MALE 25pos. SOLDER PIN STRAIGHT with rear spacer clip and hexlocking screw	
				drawn	17.10.2008		
appd.	21.10.2008	Fischer					
norm			dwg no:		15K1A290		DIN-A3
2 x c	Ä5528	10.02.15	Heinrich	d-old			sh: 1
5 x b	Ä3435	21.02.09	HS	CONEC ®		part no:	
a	Original					15-00043 (see note 9)	
rev.	description	date	name				

P.C.B. HOLE DRILLINGS



RECOMMENDED PANEL CUT-OUT



THIS DRAWING MAY NOT BE COPIED OR REPRODUCED IN ANY WAY, AND MAY NOT BE PASSED ON TO A THIRD PARTY WITHOUT WRITTEN PERMISSION. OWNERSHIP AND COPYRIGHT OF CONEC GmbH DO NOT ALTER CAD DRAWING BY HAND				tolerance		dim. in mm	scale: 4:1	
							material: see sheet 1	
				date	name		title: P.C.B HOLE DRILLINGS PANEL CUT-OUT D-SUB Male 25pos. Solder pin straight	
				drawn	17.10.2008 Schmidt			
				appd.	21.10.2008 Fischer			
			norm		d-old		dwg no:	
							15K1A290	
							part no: see sheet 1	
							DIN-A3	
							sh: 2	

Mouser Electronics

Authorized Distributor

Click to View Pricing, Inventory, Delivery & Lifecycle Information:

[CONEC:](#)

[15-000433](#)