

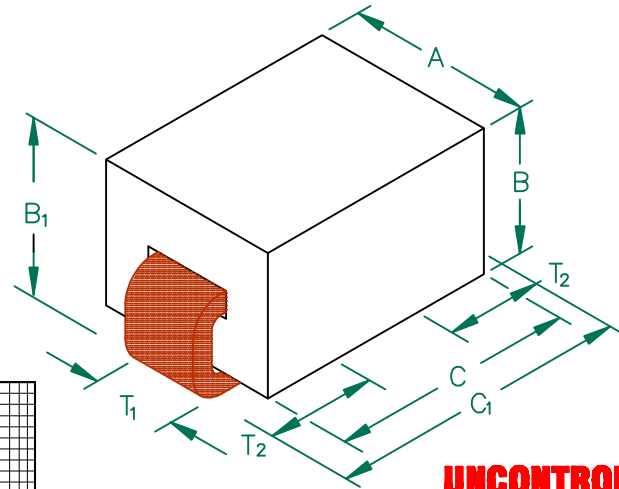
PHYSICAL DIMENSIONS:

- A 3.05 [.120] \pm 0.08 [.003]
- B 2.54 [.100] \pm 0.08 [.003]
- B₁ 3.05 [.120] \pm MAX
- C 4.06 [.160] \pm 0.10 [.004]
- C₁ 5.08 [.200] \pm MAX

WIRE DIMENSIONS:

- T₁ 1.27 [.050] \pm REF
- T₂ 1.52 [.060] \pm 0.51 [.020]

35F0121-0SR-10



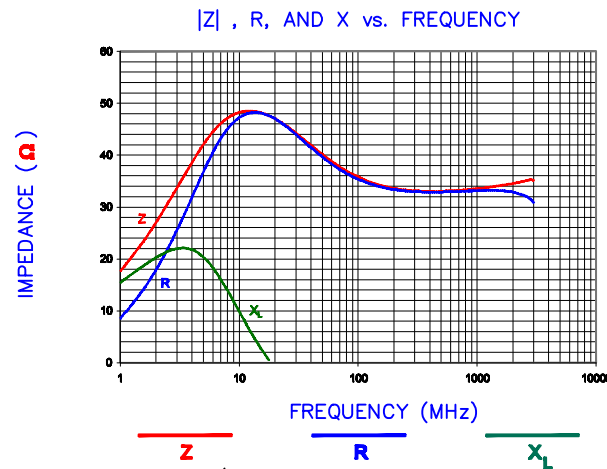
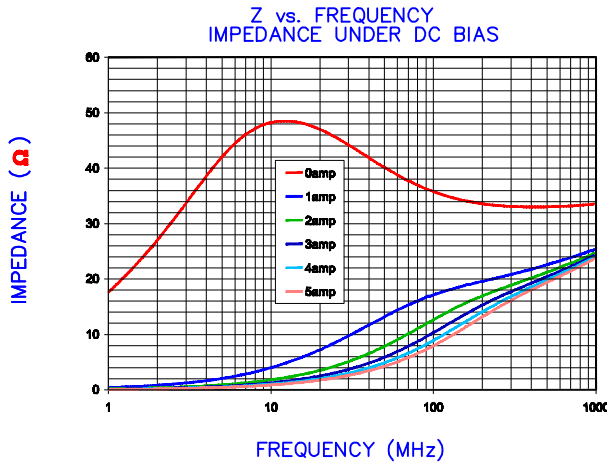
UNCONTROLLED DOCUMENT

ELECTRICAL CHARACTERISTICS:

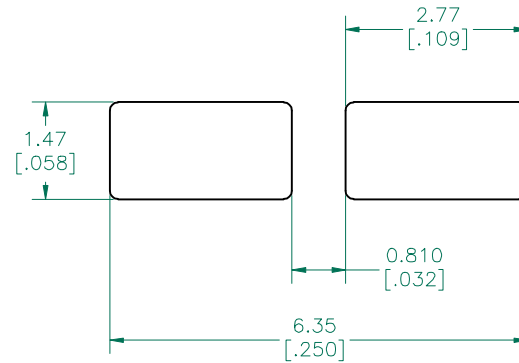
	Z (Ω) @		DCR (Ω)	Rated Current
	1MHz	10MHz		
Nominal	-	42		
Minimum	14	34		
Maximum	-	-	.00075	10,000 mA

NOTES: UNLESS OTHERWISE SPECIFIED

1. TAPED AND REELED per CURRENT EIA SPECIFICATIONS 13" REELS, 2500 PCS/REEL.
2. COMPONENTS SHOULD BE ADEQUATELY PREHEATED BEFORE SOLDERING.
3. REF. CARRIER TAPE SPECIFICATION # CART121-03.
4. TERMINATION FINISH IS 100% TIN.

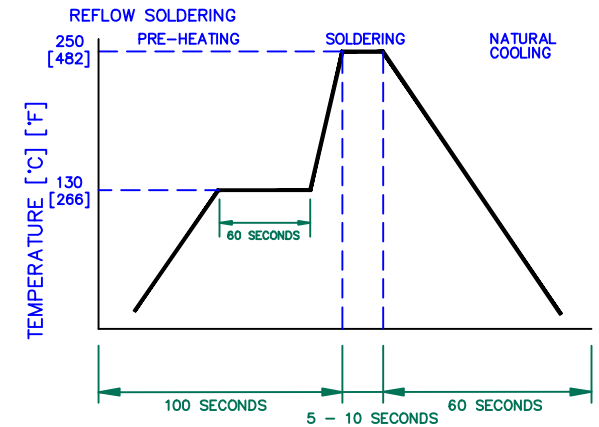


LAND PATTERNS FOR REFLOW SOLDERING



(For wave soldering, add 0.762 [.030] to this dimension.)

RECOMMENDED SOLDERING CONDITIONS



DIMENSIONS ARE IN mm (INCHES).				This print is the property of Laird Tech. and is loaned in confidence subject to return upon request and with the understanding that no copies shall be made without the written consent of Laird Tech. All rights to design or invention are reserved.				
D	UPDATE COMPANY LOGO	01/23/09	JRK	PROJECT/PART NUMBER: 35F0121-0SR-10	REV	D	PART TYPE: ASSEMBLY	DRAWN BY: JRK
C	UPDATE LANDPATTERN	08/09/07	JRK		DATE: 5/26/04	SCALE: NTS	SHEET: 2 of 3	
B	ADD ROHS SYMBOL UPDATE LOGO	05/04/07	JRK		GAD #	TOOL #		
A	ORIGINAL DRAFT	5/26/04	JRK	REV				
	DESCRIPTION	DATE	INT					

Mouser Electronics

Authorized Distributor

Click to View Pricing, Inventory, Delivery & Lifecycle Information:

Laird:

[35F0121-OSR-10](#)