

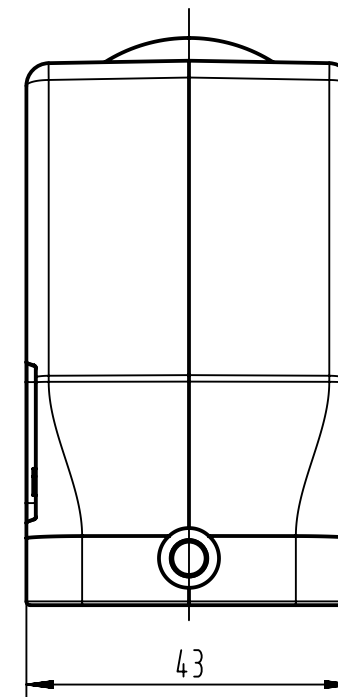
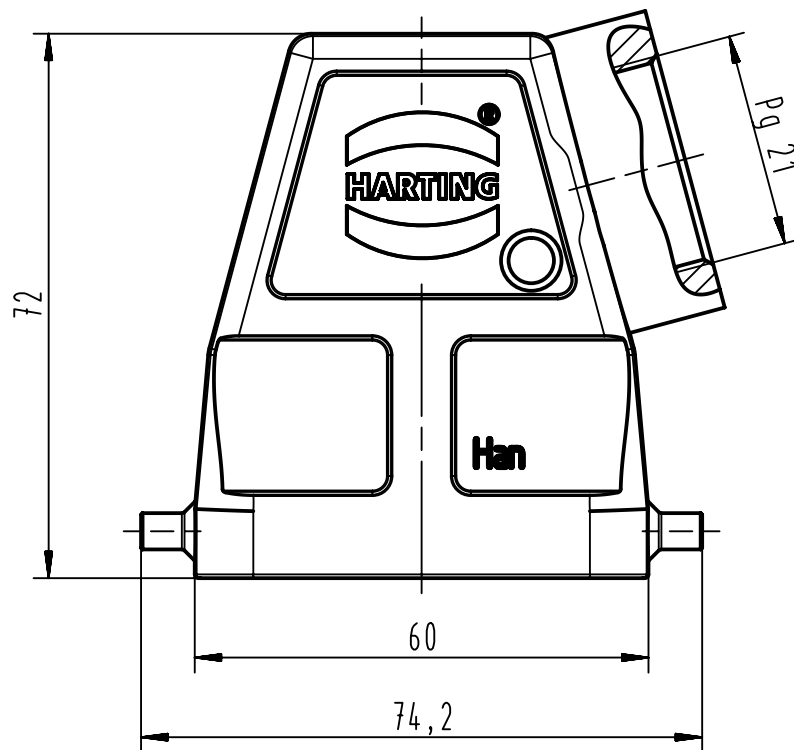
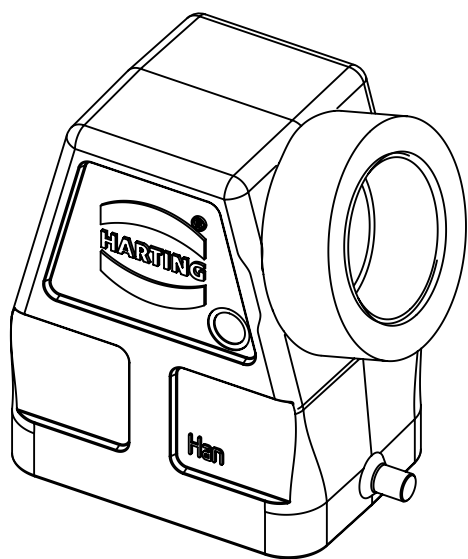
1 2 3 4 5 6

A

B

C

D



	All Dimensions in mm Original Size DIN A4	Scale 1:1		Free size tol.		Ref.	
						Sub.	
	All rights reserved Department EL PD - DE	Created by SCHULZI	Inspected by BERGHORN	Standardisation SCHMIDTM	Date 2013-02-13	State Final Release	
		Title Han 6B-gs-21					Doc-Key / ECM-Nr. 100519289/UGD/000/A
HARTING Electric GmbH & Co. KG D-32339 Espelkamp		Type TB	Number 09 30 006 0542			Rev. A	Page 1/1

# Mouser Electronics

Authorized Distributor

Click to View Pricing, Inventory, Delivery & Lifecycle Information:

[HARTING:](#)

[09300060542](#)