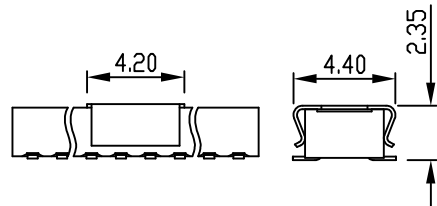
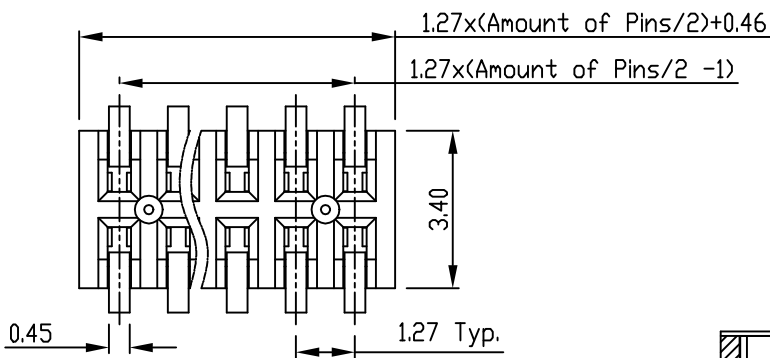
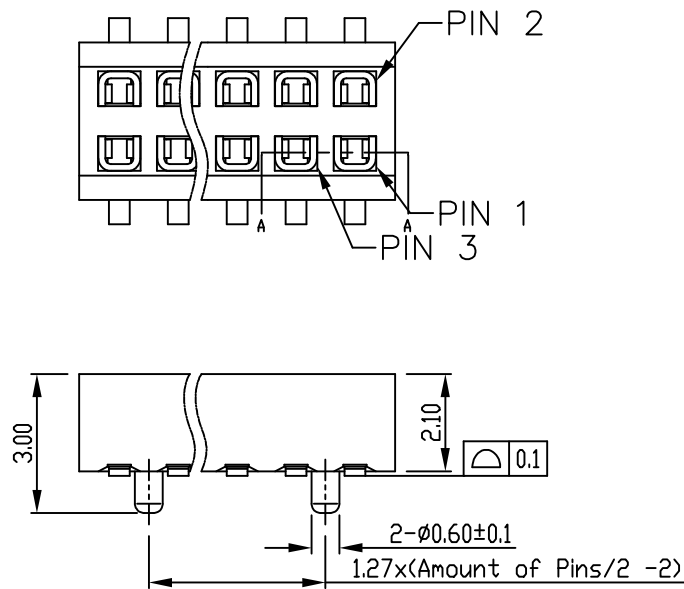
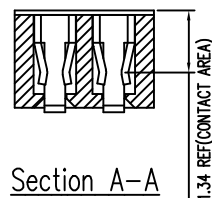


PART NO.
20021323

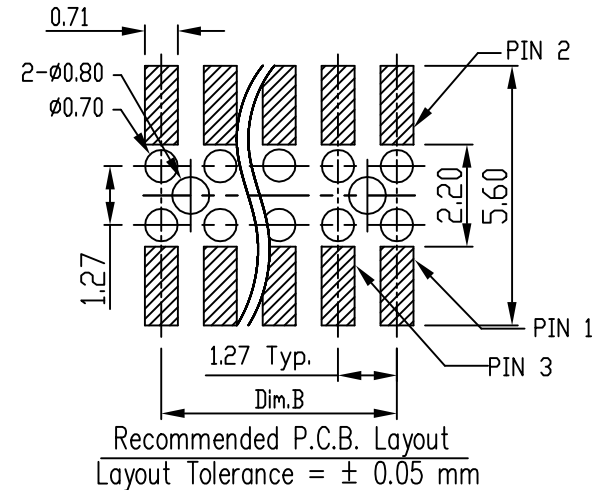


With Cap
Scale 4:1



- NOTE:
- MATERIAL:
HOUSING: HIGH TEMP PLASTIC, UL94-V0, BLACK
TERMINAL: COPPER ALLOY, T=0.15MM
CAP: STAINLESS STEEL, T=0.1MM
 - FINISH:
TERMINAL: GOLD AT CONTACT,
G/F OVER 1.27um(50u") MIN Ni OVER ALL
 - SPEC.:
PRODUCT SPEC: GS-12-629
PACKING SPEC: GS-14-1420
 - THE HSG. WILL WITHSTAND EXPOSURE TO 260°C
PEAK TEMP. FOR 10 SEC. IN A CONVECTION INFRA-RED
OR VAPOR PHASE REFLOW.
 - PRODUCT NUMBERING:
20021323 - X 0 0 XX X X LF

- LEAD FREE
- PLATING:
1: GOLD FLASH ALL OVER
4: 0.25um(10u") GOLD AT CONTACT
8: 0.76um(30u") GOLD AT CONTACT
9: 1u" GOLD OVER 30u" PdNi AT CONTACT
- PACKING
D: TUBE + CAP
T: TUBE
C: REEL + CAP (8,10,20,22,30,40,42,70P)
PIN COUNT
4,6,8,...,80
(EVERY EVEN PIN)
0: WITHOUT POST
1: WITH POST



mat'l. code		surface ISO 1302 ✓		tolerance ISO 406 ISO 1101		projection		product family	
ltr		ecn no		dr		date		MINITEK127®	
F		ELX-N-011532		ZK		05/07/12		title	
G		ELX-N-43177-1		ZK		05/28/12		RECEPTACLE VT TH	
H		ELX-N-49660		SF		11/03/23		scale 1:1	
dr		STERLING LIN		09/15/09		engr		STERLING LIN 09/15/09	
chr		GRAY HSIEH		09/15/09		appd		JOSEPH 09/15/09	
sheet index		revision sheet		H		1		Amphenol FCI	
dwg no		sheet		1 of 1		size		A3	
type		Product		Customer		Drawing		20021323	