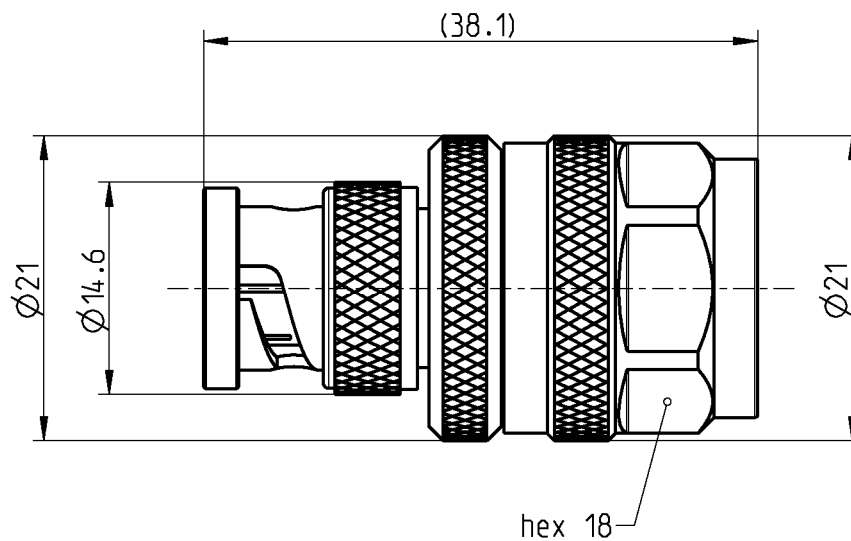
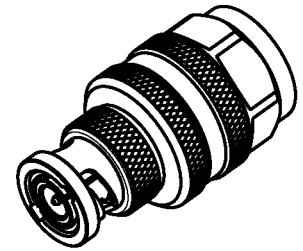


adaptor
bnc 50 Ω plug - N 50 Ω plug

51S153-S00N5



All dimensions are in mm; tolerances according to ISO 2768 m-H

Interface

According to	BNC side:	IEC 60169-8, MIL-PRF-39012, CECC 22120
	N side:	IEC 60169-16, MIL-PRF-39012, CECC 22210

Documents

N/A

Material and plating

Connector parts

Center contact BNC and N side
Outer contact BNC and N side
Body
Dielectric
Gasket

Material

Brass
Brass
Brass
PTFE
Silicone

Plating

AuroDur®, gold plated
Flash white bronze over silver(e.g. Optargen®)
Flash white bronze over silver(e.g. Optargen®)

adaptor
bnc 50 Ω plug - N 50 Ω plug

51S153-S00N5**Electrical data**

Impedance	50 Ω	
Frequency	DC to 10 GHz	
Return loss	≥ 35 dB, DC to 2.5 GHz	
	≥ 25 dB, 2.5 to 4 GHz	
Insertion loss	≤ 0.05 x \sqrt{f} [GHz] dB	
Insulation resistance	≥ 5 x10 ³ MΩ	
Center contact resistance	≤ 1.5 mΩ, BNC side;	≤ 1 mΩ, N side
Outer contact resistance	≤ 1 mΩ, BNC side;	≤ 0.25 mΩ, N side
Test voltage	1500 V rms	
Working voltage	400 V rms	
Power handling (at 20 °C, sea level, VSWR 1.0)	≤ 80 W @ 2 GHz	

Mechanical data

	BNC side	N side
Mating cycles	min. 500	min. 500
Coupling nut retention	N/A	≥ 450 N
Center contact captivation: axial	≥ 28 N	≥ 28 N
Coupling test torque	N/A	max. 1.7 Nm
Recommended torque	N/A	0.7 Nm to 1.1 Nm

Environmental data

Temperature range	-55°C to +155°C
Thermal shock	MIL-STD-202, Meth. 107, Cond. B
Corrosion	MIL-STD-202, Meth. 101, Cond. B
Vibration	MIL-STD-202, Meth. 204, Cond. B
Shock	MIL-STD-202, Meth. 213, Cond. G
Moisture resistance	MIL-STD-202, Meth. 106
RoHS	compliant

Tooling

N/A

Suitable cables

N/A

Weight

Weight 44.9 g/pce

While the information has been carefully compiled to the best of our knowledge, nothing is intended as representation or warranty on our part and no statement herein shall be construed as recommendation to infringe existing patents. In the effort to improve our products, we reserve the right to make changes judged to be necessary.

Draft	Date	Approved	Date	Rev.	Engineering change number	Name	Date
Chr. Entfellner	17/07/08	Sa. Krautenbacher	18.03.14	e00	14-0352	T. Krojer	18.03.14
Rosenberger Hochfrequenztechnik GmbH & Co. KG P.O.Box 1260 D-84526 Tittmoning Germany www.rosenberger.de					Tel.: +49 8684 18-0 Fax: +49 8684 18-499 email: info@rosenberger.de		Page 2 / 2

Mouser Electronics

Authorized Distributor

Click to View Pricing, Inventory, Delivery & Lifecycle Information:

[Rosenberger:](#)

[51S153-S00N5](#)