

THIS DRAWING IS UNPUBLISHED.

RELEASED FOR PUBLICATION

© COPYRIGHT - By -

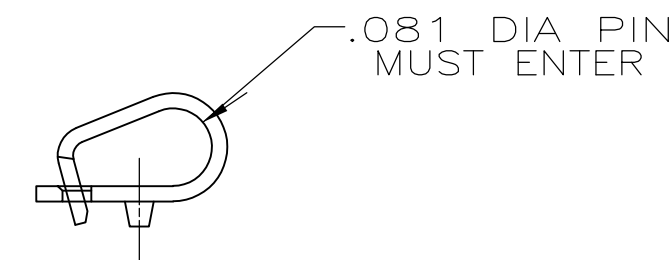
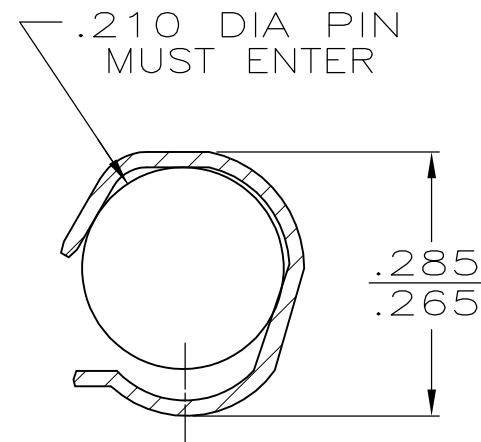
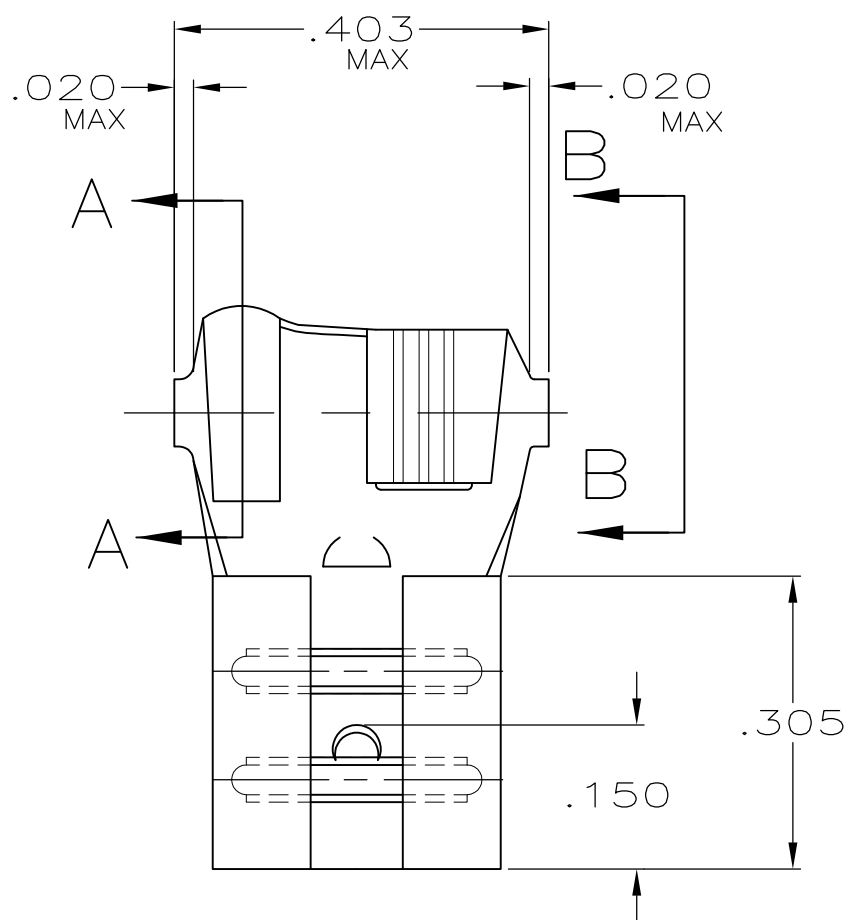
ALL RIGHTS RESERVED.

LOC
AF DIST
50

REVISIONS

P	LTR	DESCRIPTION	DATE	DWN	APVD
	C	REVISED PER ECO-13-008266	20MAY13	JR	PD

- 1 WIRE AND INSULATION BARRELS TO BE PREFORMED AS SHOWN IN CUT OFF OPERATION.
- 2 SUPPLIED IN LOOSE PIECE.
- 3 FOREIGN PRODUCTION ONLY.
- 4 -2 PART IS MADE FROM 41801
- 5 -3 PART IS MADE FROM 41802.



VIEW B-B

SECTION A-A

TIN	-	2.79-5.33 [.110-.210]	0.8-3.0mm ² [18-12]	0.81 [.032]	42232-3
FINISH	INSULATION RANGE	WIRE SIZE	±0.025 [±.001] TAB THK	PART NUMBER	42232-2

THIS DRAWING IS A CONTROLLED DOCUMENT.		DWN JR RUTH 11/16/93	STE TE Connectivity		
DIMENSIONS: INCHES		CHK MS FEHER 11/16/93			
TOLERANCES UNLESS OTHERWISE SPECIFIED:		APVD P DESANTIS 11/16/93	NAME RECEPTACLE, FASTON,™ FLAG, .250 SERIES		
0 PLC ± -		PRODUCT SPEC	-		
1 PLC ± -		APPLICATION SPEC	-		
2 PLC ± -		WEIGHT	-		
3 PLC ± .015		SIZE	CAGE CODE	DRAWING NO	RESTRICTED TO
4 PLC ± -		A3 00779		C-42232	-
ANGLES ± -		CUSTOMER DRAWING			
MATERIAL BRASS		FINISH SEE TABLE		SCALE NTS	SHEET 1 OF 1
				REV C	

Mouser Electronics

Authorized Distributor

Click to View Pricing, Inventory, Delivery & Lifecycle Information:

[TE Connectivity:](#)

[42232-3](#)