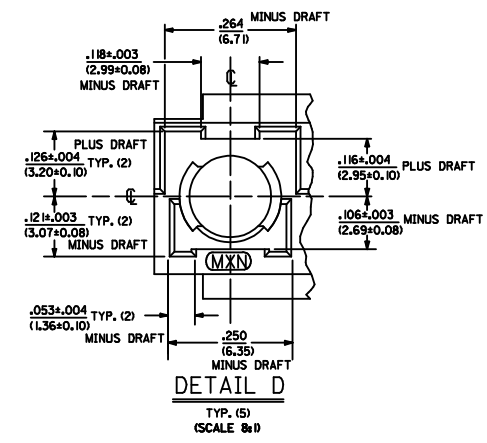
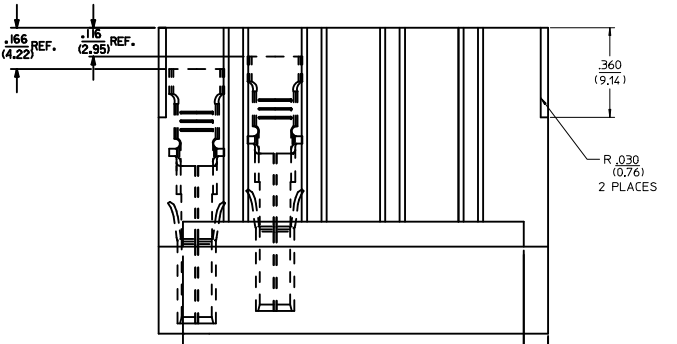
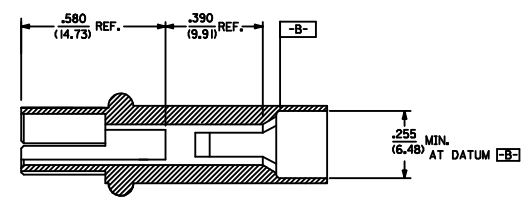
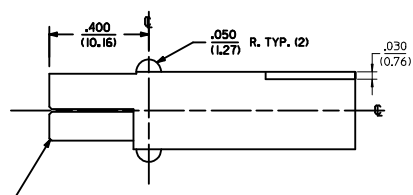
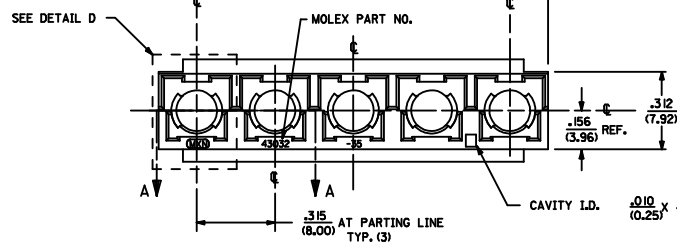


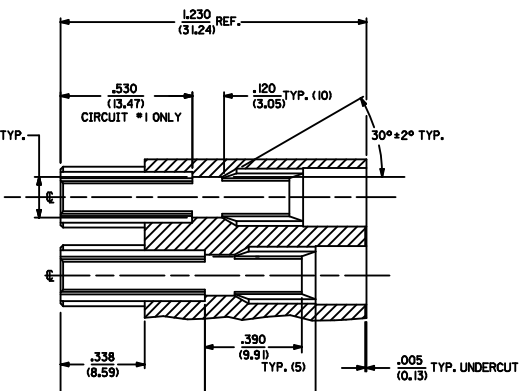
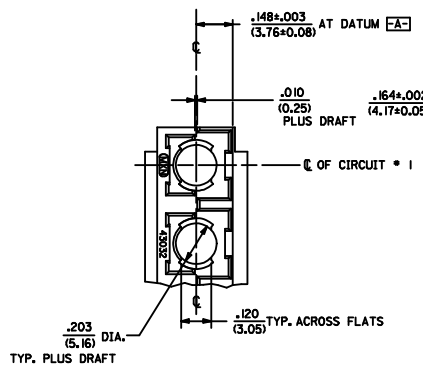
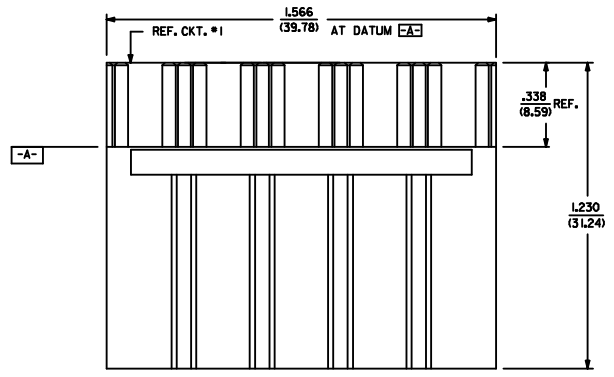
ITEM NO.	MATERIAL
43032-3500	VALOX 457-7 (25: 94V-0, T 1/2% GLASS-FILLED POLYESTER, COLOR-BLACK.



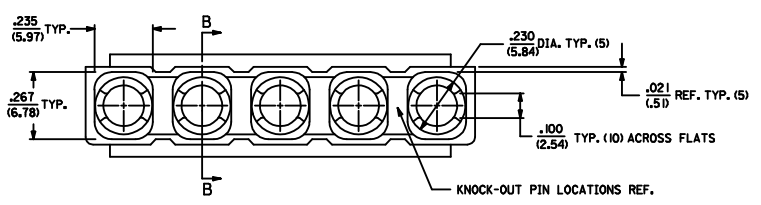
- NOTES:
1. THIS HOUSING ACCEPTS MOLEX TERMINAL NO.'S. I219, I220, 42824, AND 42825.
 2. THIS HOUSING IS HERMAPHRODITIC.
 3. CIRCUIT NO. 1 IS $.050$ (1.27) FORWARD FROM THE OTHER (4) POCKETS FOR FIRST MAKE LAST BREAK GROUND CIRCUIT.



SECTION B-B



SECTION A-A (PARTIAL)
ROTATED 90° CW



QUALITY SYMBOLS	GENERAL TOLERANCES (UNLESS SPECIFIED)		DIMENSION STYLE		SCALE	DESIGN UNITS	THIRD ANGLE PROJECTION
	mm	INCH	IN/MM	INCH			
$\nabla=0$	4 PLACES	± .010	DMS	DATE	4:1	INCH	HOUSING, 5 POSITION, POWER CONNECTOR, HERMAPHRODITIC, .315" CTR
$\nabla=0$	3 PLACES	± .015	CHECKED BY	DATE			
	2 PLACES	± .025	SBB	DATE			MOLEX INCORPORATED
	1 PLACE	± .038	APPROVED BY	DATE			
	ANGULAR ±1/2°		RWD	DATE			
DRAFT WHERE APPLICABLE MUST REMAIN WITHIN DIMENSIONS		WATERIAL NO.		DOCUMENT NO.			
		SEE CHART		SD-43032-3500		SHEET NO. 1 OF 1	
		THIS DRAWING CONTAINS INFORMATION THAT IS PROPRIETARY TO MOLEX INCORPORATED AND SHOULD NOT BE USED WITHOUT WRITTEN PERMISSION					

Mouser Electronics

Authorized Distributor

Click to View Pricing, Inventory, Delivery & Lifecycle Information:

[Molex:](#)

[43032-3500](#)