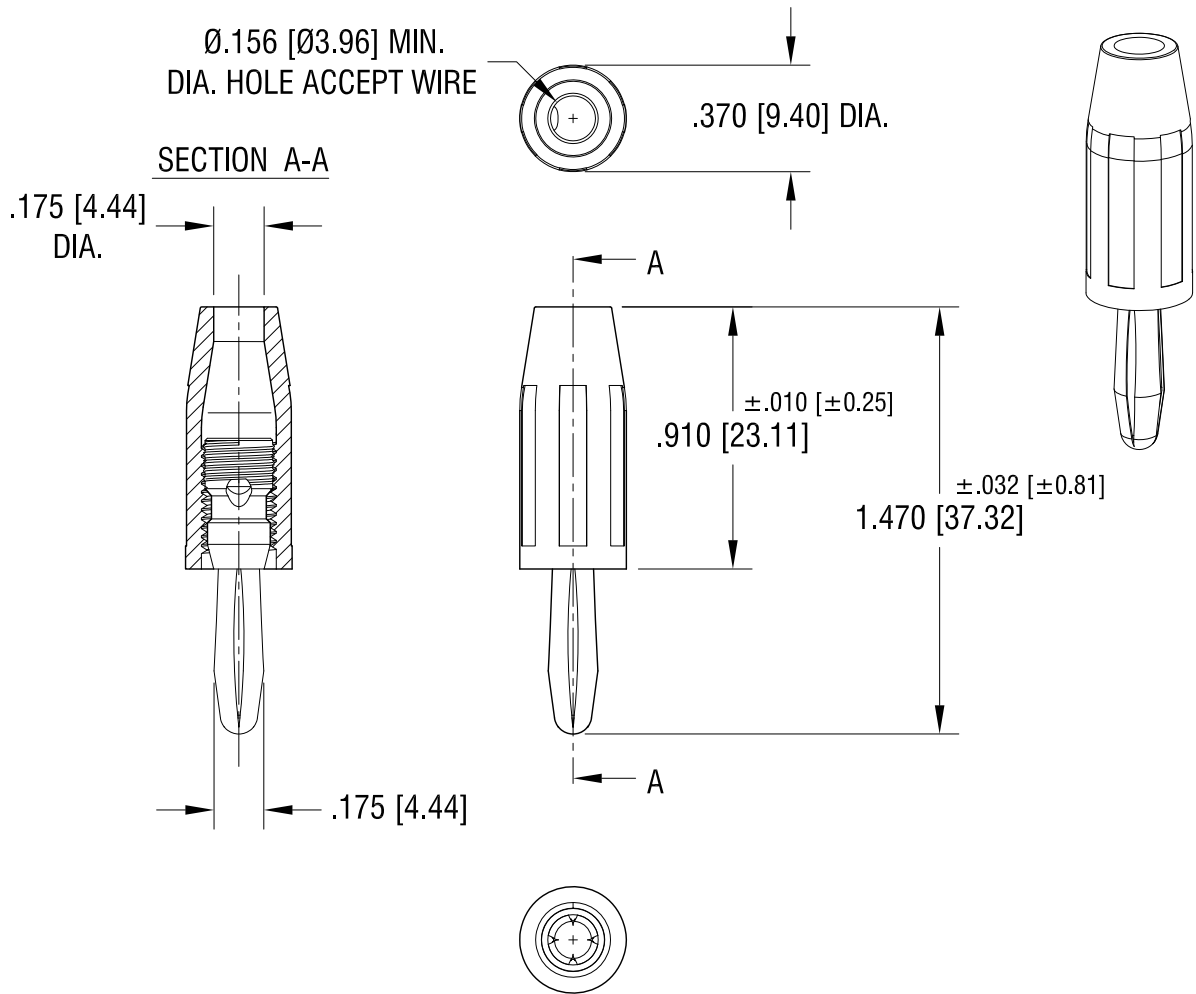


THIS DOCUMENT IS THE PROPERTY OF
KEYSTONE ELECTRONICS CORP. AND
SHALL NOT BE REPRODUCED, DISTRIBUTED
OR USED AS A BASIS FOR MANUFACTURE
WITHOUT PRIOR WRITTEN PERMISSION
FROM KEYSTONE ELECTRONICS CORP.



NOTES:

- 1. SPRING: MAT'L - NICKEL SILVER
- BODY: MAT'L - BRASS
- FINISH - NICKEL PLATE
- HANDLE: MAT'L - NYLON

PART NO.	COLOR
6078	RED
6079	BLACK

KEYSTONE ELECTRONICS CORP.
www.keyelco.com • ASTORIA, N.Y. 11105-2017 • Tel (718) 956-8900

PART NAME
BANANA PLUG, SOLDERLESS CONNECTION

MATERIAL
AS NOTED

FINISH AS NOTED	DRN BY BOONE	DATE 1.16.06
	APP'D LN	SCALE 1.5X

TOLERANCES INCH [MM]
DECIMAL $\pm .005 [\pm 0.13]$

ANGULAR \pm

UNLESS OTHERWISE SPECIFIED

CODE
C/M

DWG NO.
6078-6079

5.11.12	CHANGE AS PER ECN 12-059	A
DATE	DESCRIPTION	REV.

Mouser Electronics

Authorized Distributor

Click to View Pricing, Inventory, Delivery & Lifecycle Information:

[Keystone Electronics:](#)

[6078](#)