

N-6U

Electrical Specifications (@25°C)

1. Maximum Power: 200 VA
2. Input Voltage: 230 V, 50 / 60Hz
3. Output Voltage: 115V ± 5%
4. Full Secondary Load: 1.70 Amps RMS

Description:

The N-6U is part of the line of Auto-Transformers that are single winding transformers in which the secondary coil is a fraction of the entire winding for voltage step-down. This causes part of the power to be transferred conductively through the windings, rather than all of the power being transferred by induction.

Safety:

These units are designed with 1500V isolation between the winding and the core. Materials and construction are rated for Class B insulation system.

Dimensions:

Unit: In inches

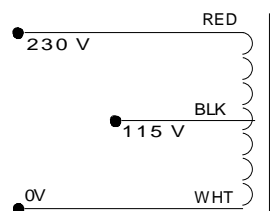
A	B	C	D	E
3.406 Max	2.855 Max	2.828 Max	2.250 ± 0.030	2.25 ± 0.06

Weight: 3.60 lbs

Mounting Holes: 0.203 x 0.375

Connections: 7 ± 1" leads, 0.250±0.062" Stripped & Tin

Schematic:

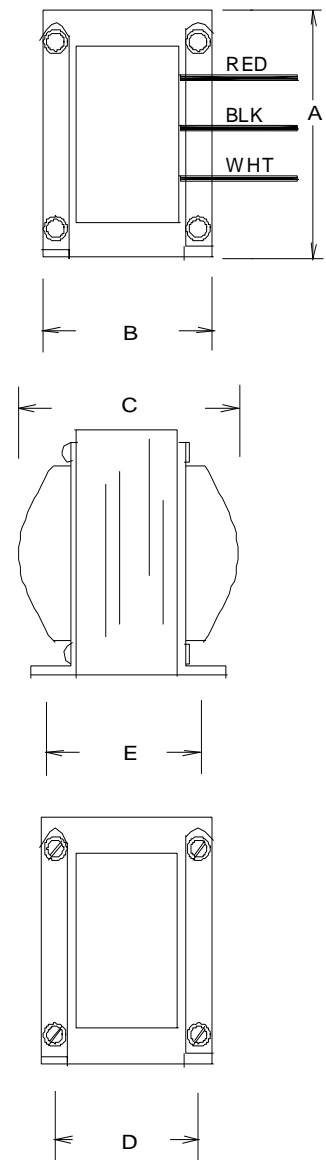


For 230V input: Wht to Red

For 115 output: Wht to Blk

RoHS Compliance: As of manufacturing date February 2005, all standard products meet the requirements of 2011/65/EU, known as the RoHS initiative.

* Upon printing, this document is considered "uncontrolled". Please contact Triad Magnetics' website for the most current version.



Mouser Electronics

Authorized Distributor

Click to View Pricing, Inventory, Delivery & Lifecycle Information:

[Triad Magnetics:](#)

[N-6U](#)