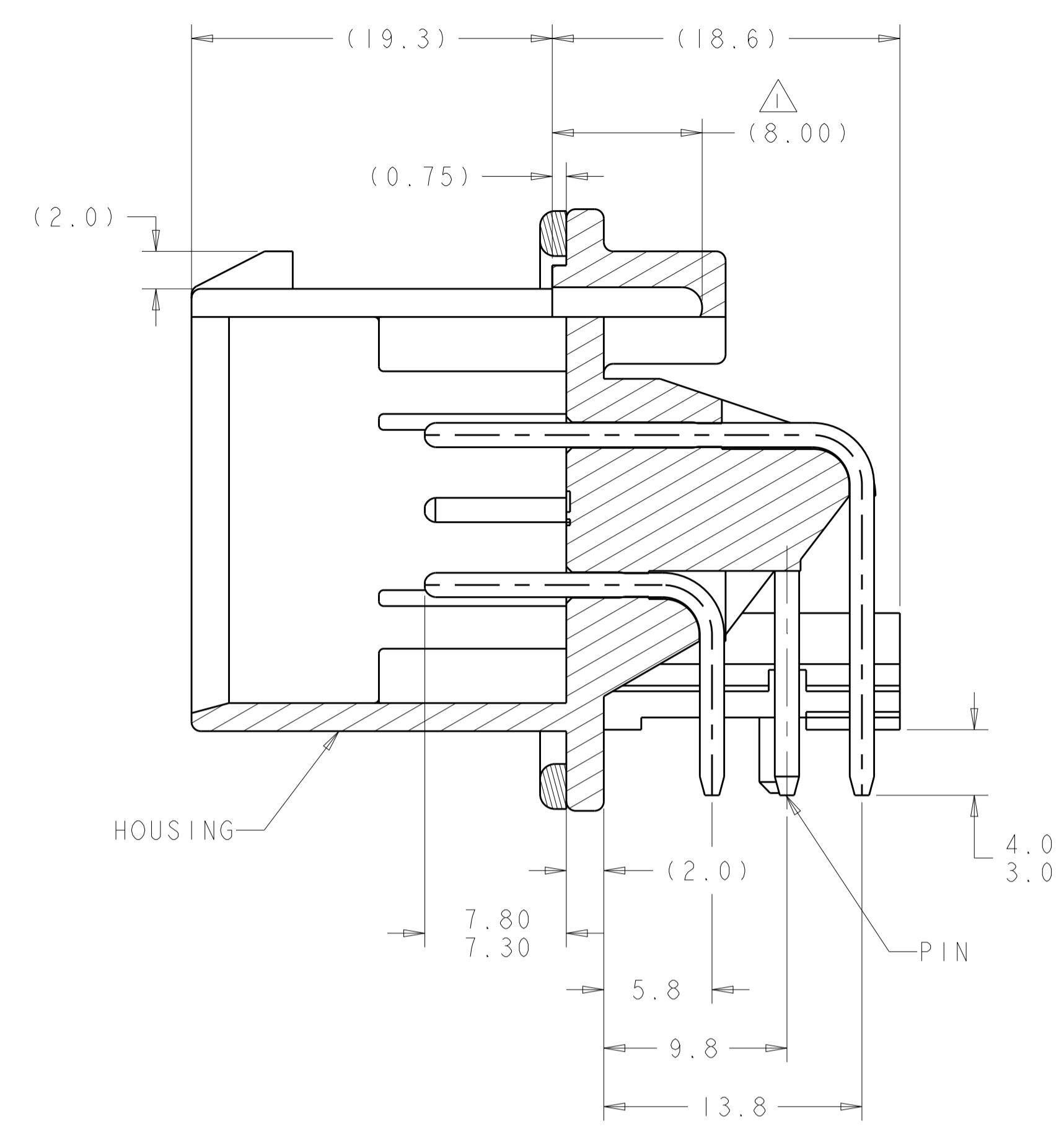
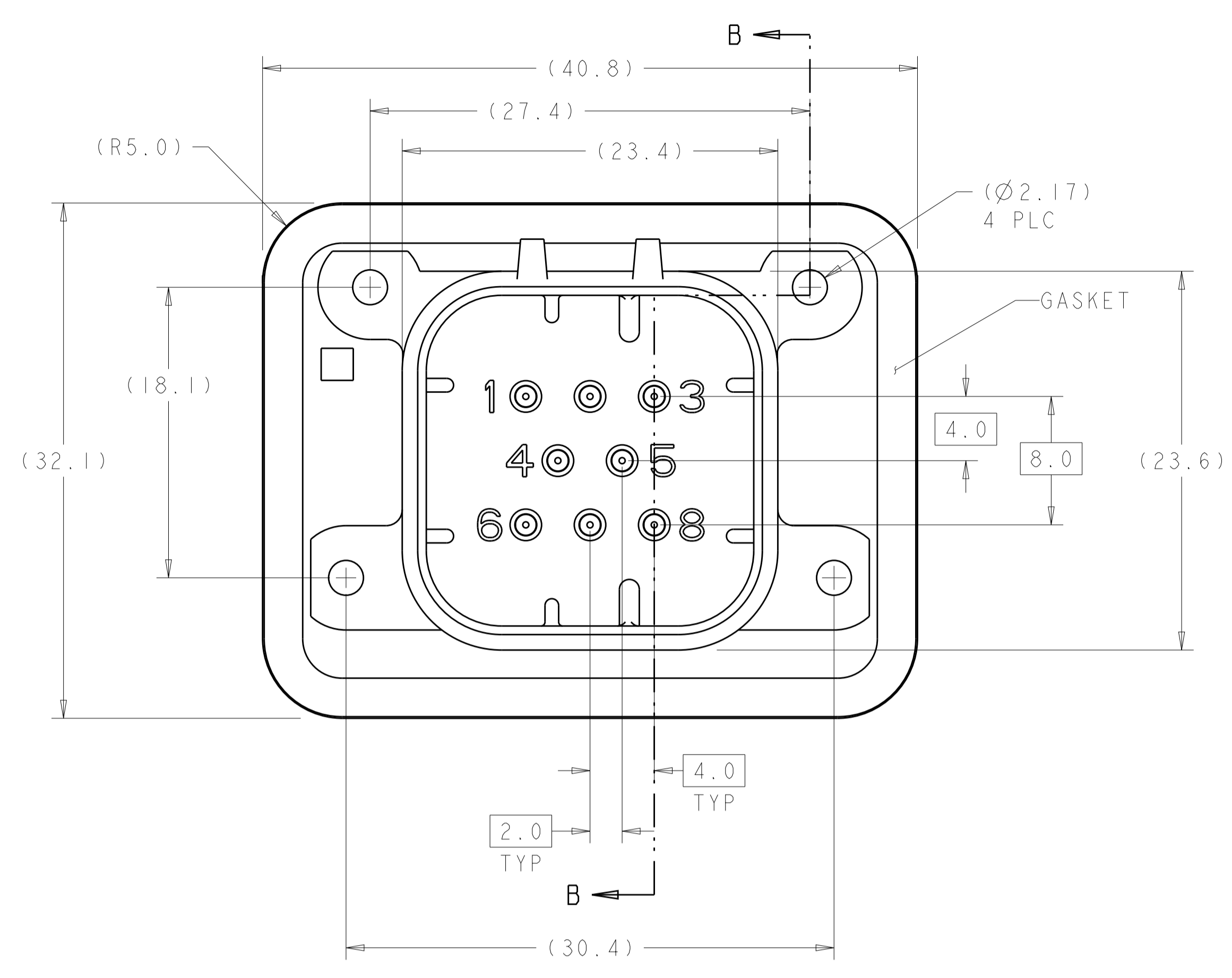
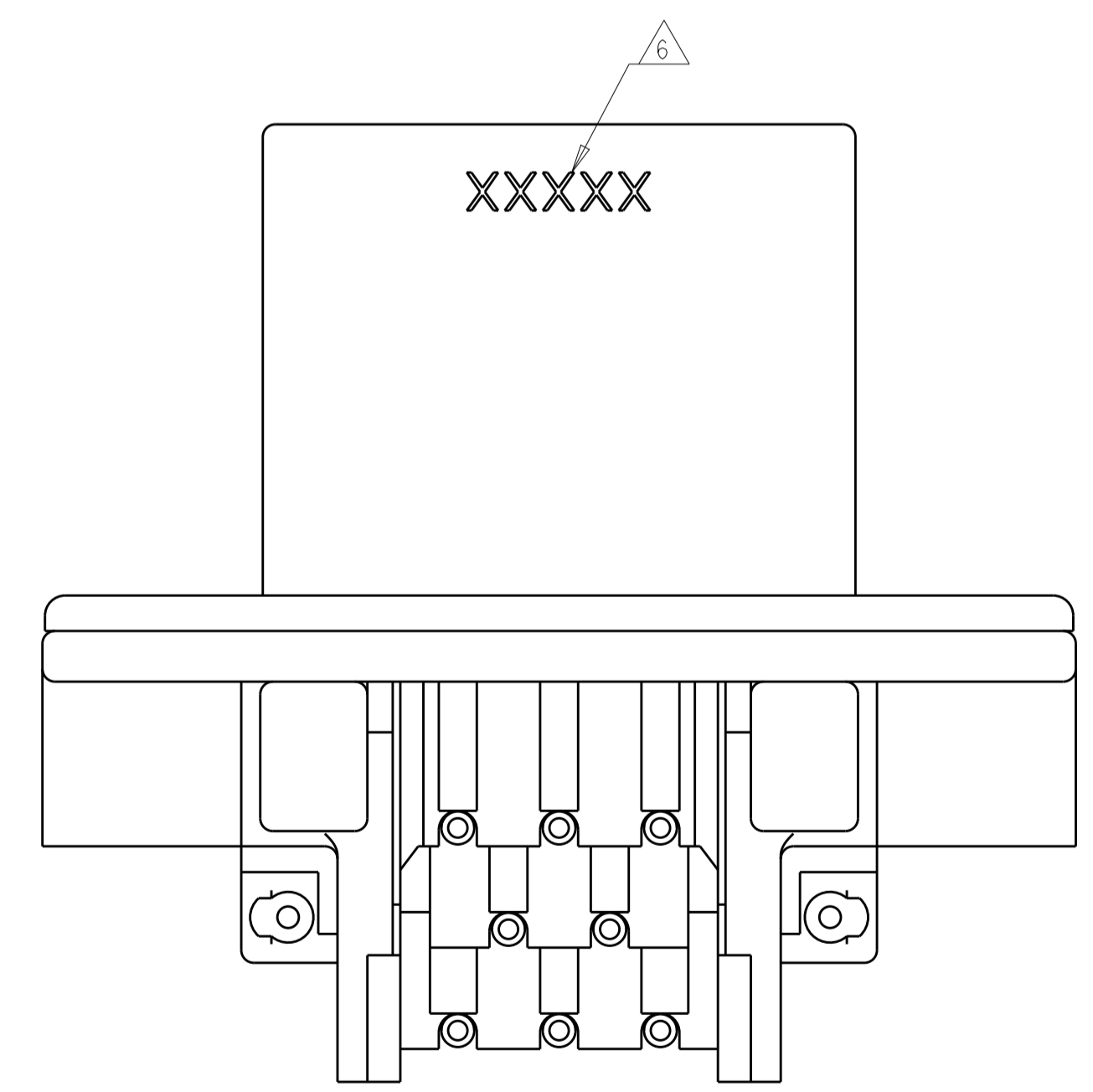


REVISIONS				
P.	LTN	DESCRIPTION	DATE	APVD
F5		REVISED PER ECO-13-020268	31DEC2013	DLD DCS
F6		REVISED PER ECO-14-019367	20JAN2015	DD DS
F7		REVISED PER ECO-15-003872	25MAR2015	DD DS
F8		REVISED PER ECO-16-003526	09MAR2016	JM DS



- △ ACCEPTS #3 SELF TAPPING THREAD FORMING SCREWS OR METRIC EQUIVALENT. DRIVE TO 0.6-0.8 N-m.
- △ HOUSING COLORS ARE MECHANICALLY KEYS TO MATE ONLY WITH IDENTICALLY COLORED PLUG ASSEMBLIES.
- △ REFER TO PAGE 2 FOR 776280-6 ASSEMBLY DIMENSIONS, RECOMMENDED MOUNTING HOLE AND P.C. BOARD LAYOUT ARE THE SAME FOR ALL DASH NUMBERS.
- 4. HEADER MATES TO PLUG ASSEMBLY 776286 WHICH USES REELED TERMINALS 770520 AND LOOSE PIECE TERMINALS 770854.
- △ MATERIALS: GASKET - SILICONE
 HEADER HOUSING - GLASS FILLED PBT
 PINS - TIN OR GOLD PLATED BRASS
- △ DATE CODE TO BE BRANDED IN THIS LOCATION PER TE SPEC 102-60. USE 5 DIGIT CODE: FIRST 2 DIGITS = YEAR, SECOND 2 DIGITS = WEEK, LAST DIGIT = DAY



NATURAL	DURAGOLD PLATED	1-776280-2
BLACK	DURAGOLD PLATED	1-776280-1
BLACK	TIN PLATED	△ 776280-6
NATURAL	TIN PLATED	776280-2
BLACK	TIN PLATED	776280-1
HEADER HOUSING COLOR	PIN	PART NUMBER

THIS DRAWING IS A CONTROLLED DOCUMENT. DWG: J. MARKEY 29FEB08
 CHK: J. MARKEY 29FEB08
 APVD: J. MARKEY 29FEB08

TE Connectivity

NAME: HEADER ASSEMBLY, 8 POSITION, RIGHT ANGLE, AMPSEAL

PRODUCT SPEC: 108-1329
 APPLICATION SPEC: 114-16016

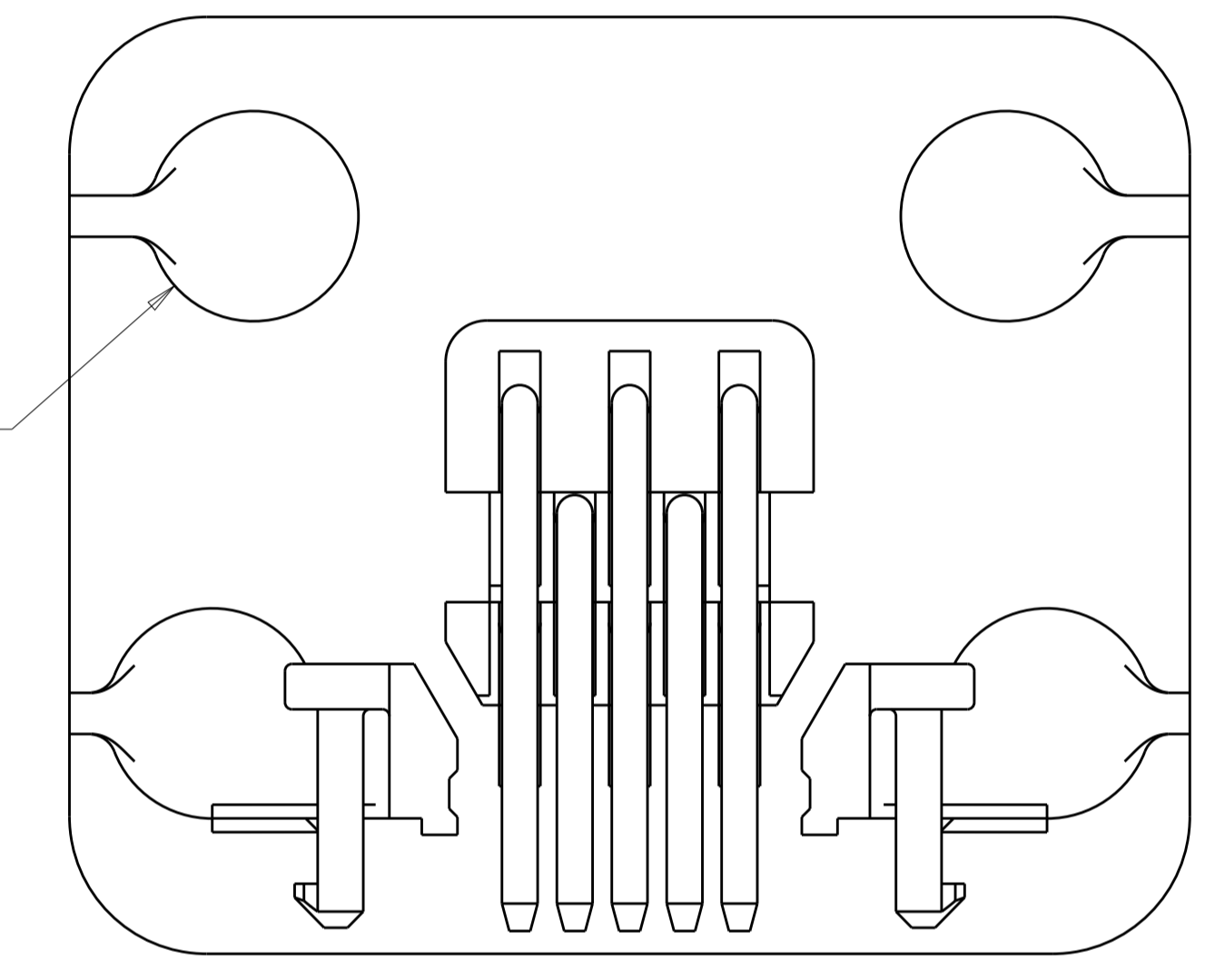
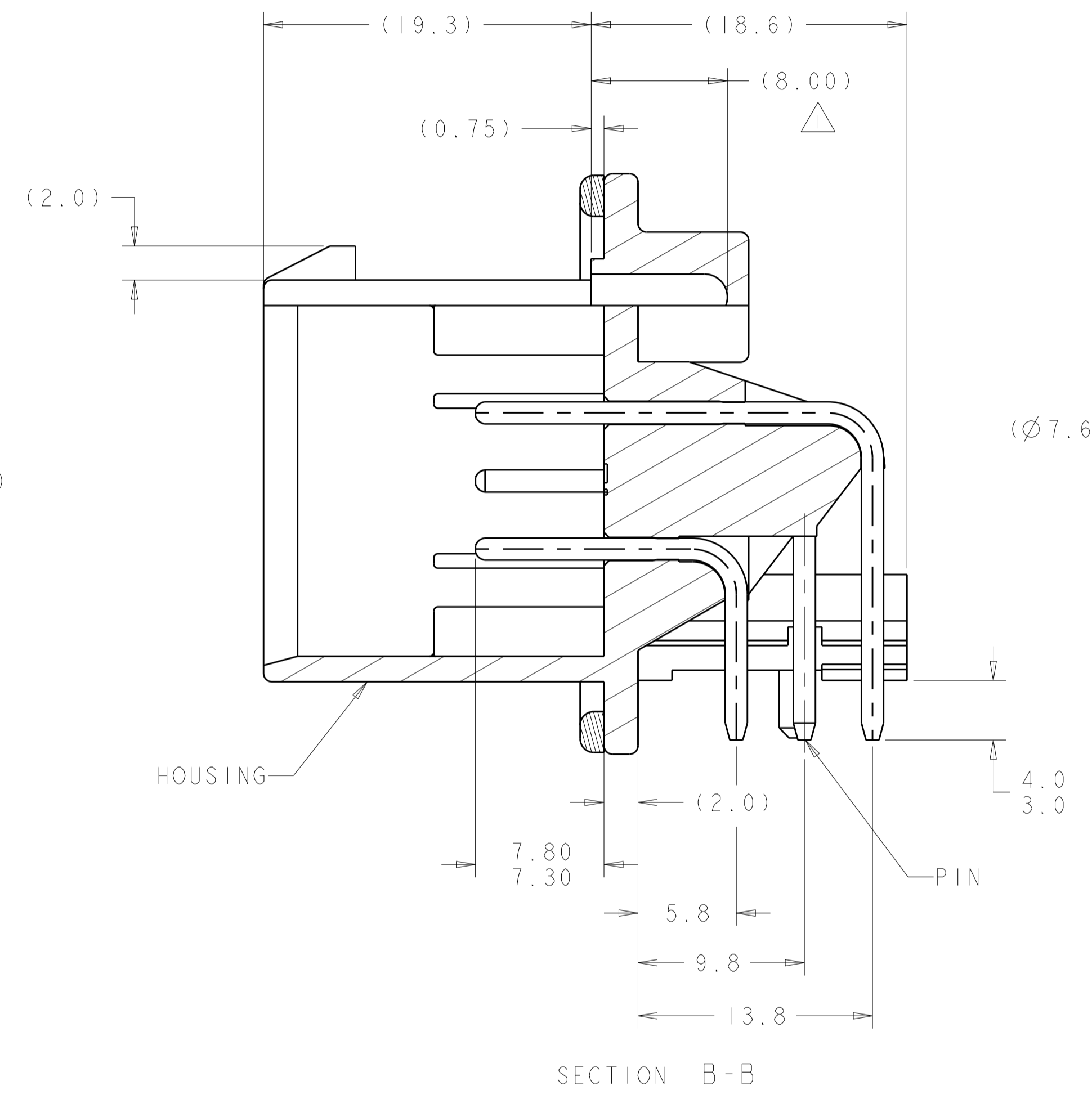
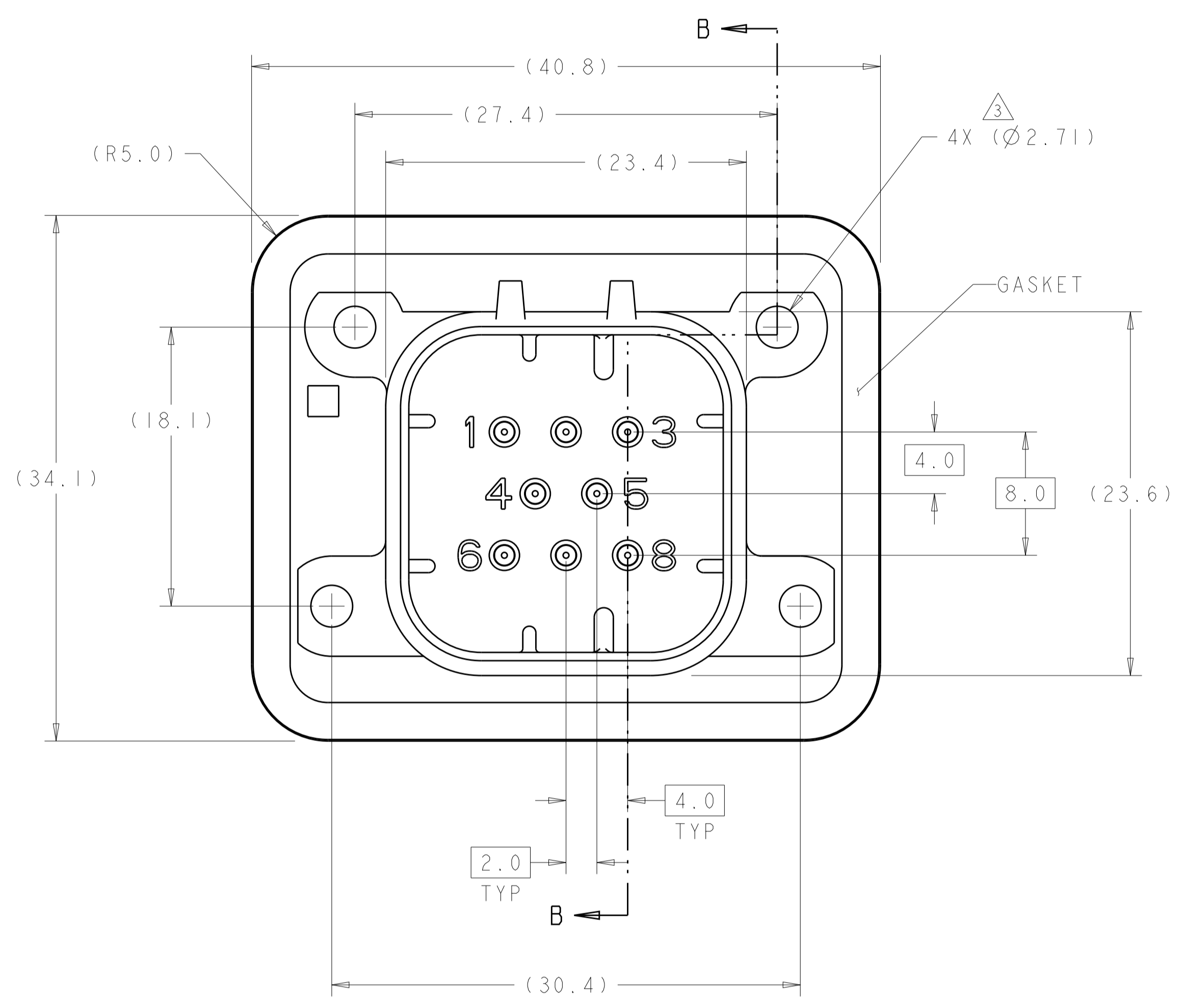
SIZE: A1 CAGE CODE: 776280 DRAWING NO: 100779

MATERIAL: 5 FINISH: 3

CUSTOMER DRAWING SCALE: 4:1 SHEET 1 OF 3 REV: F8

REVISIONS				
P.	LTN.	DESCRIPTION	DATE	APVD.
-	-	SEE SHEET 1	-	-

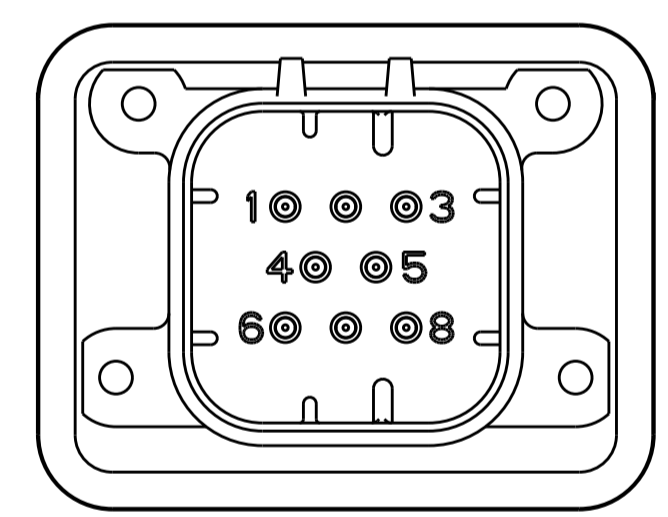
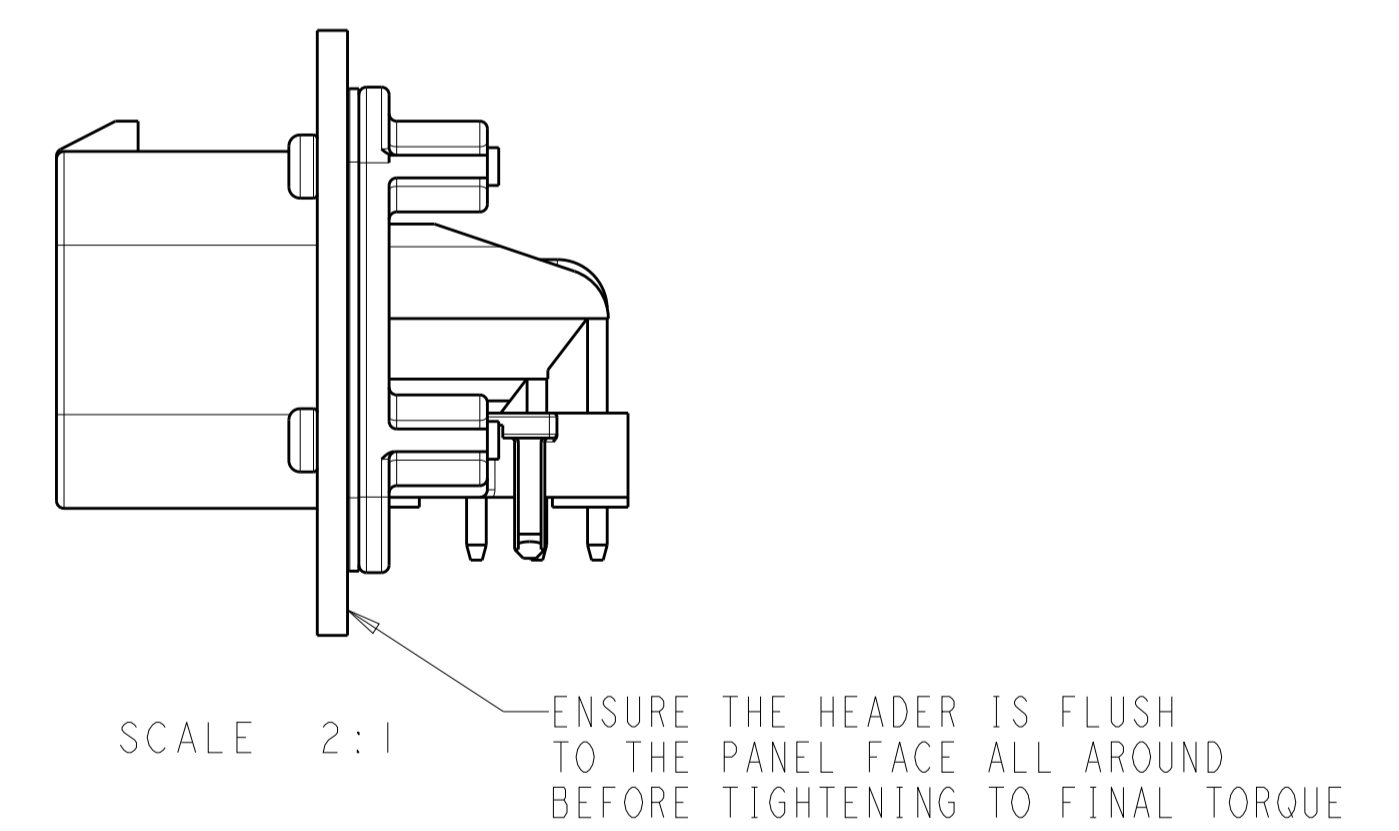
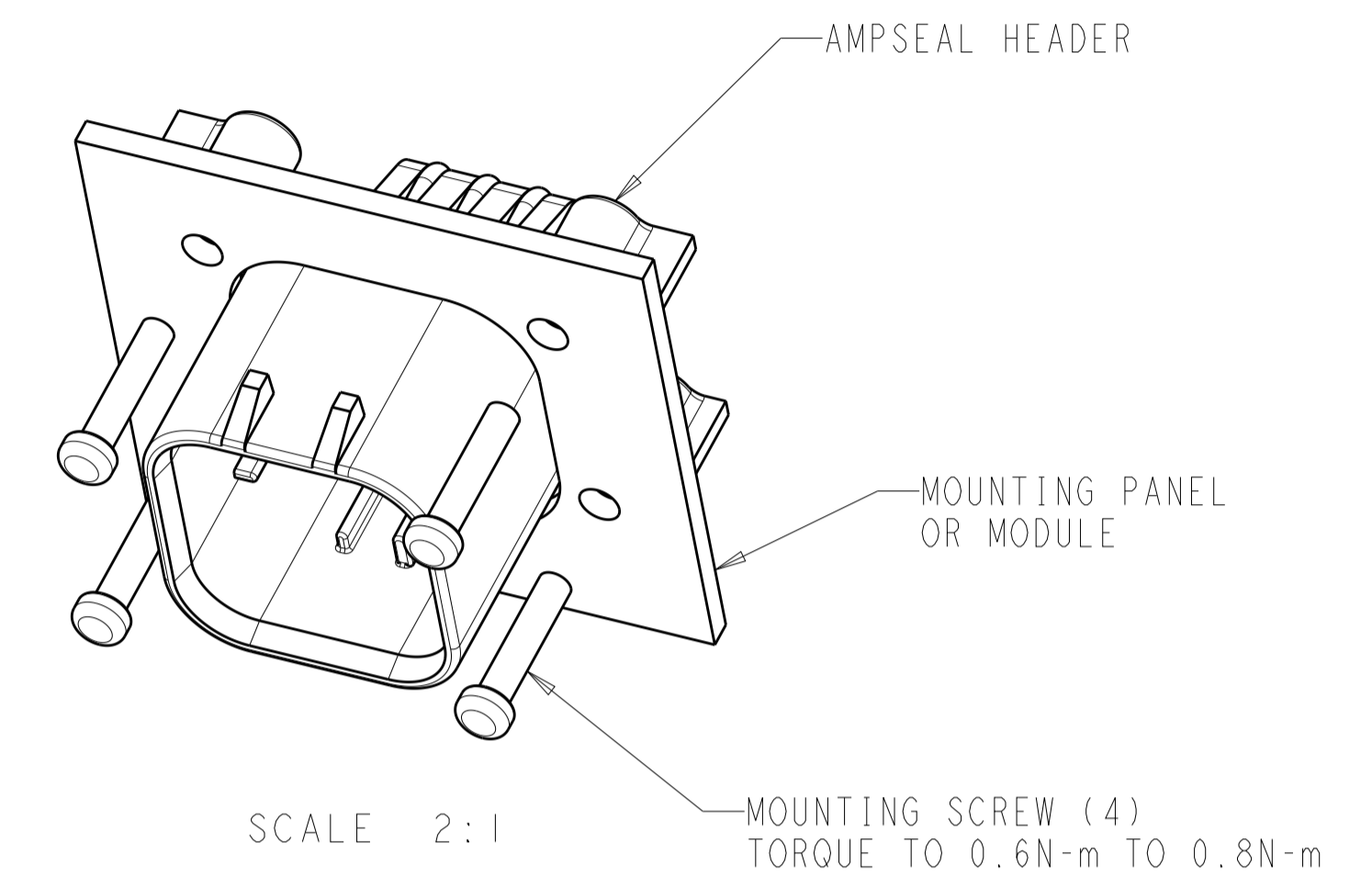
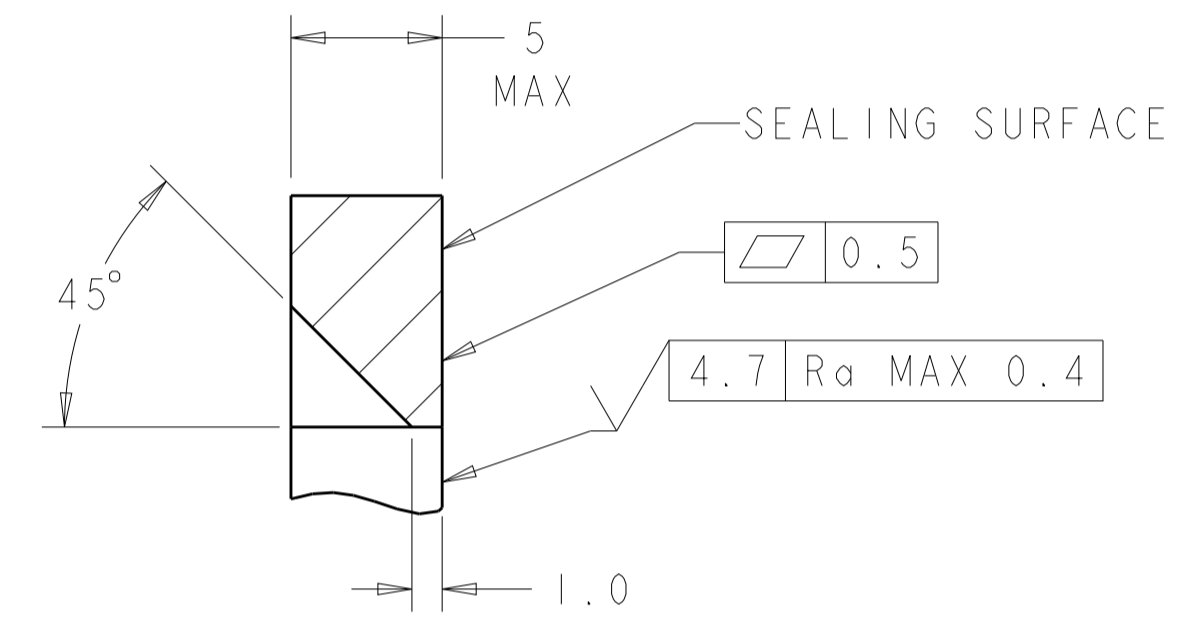
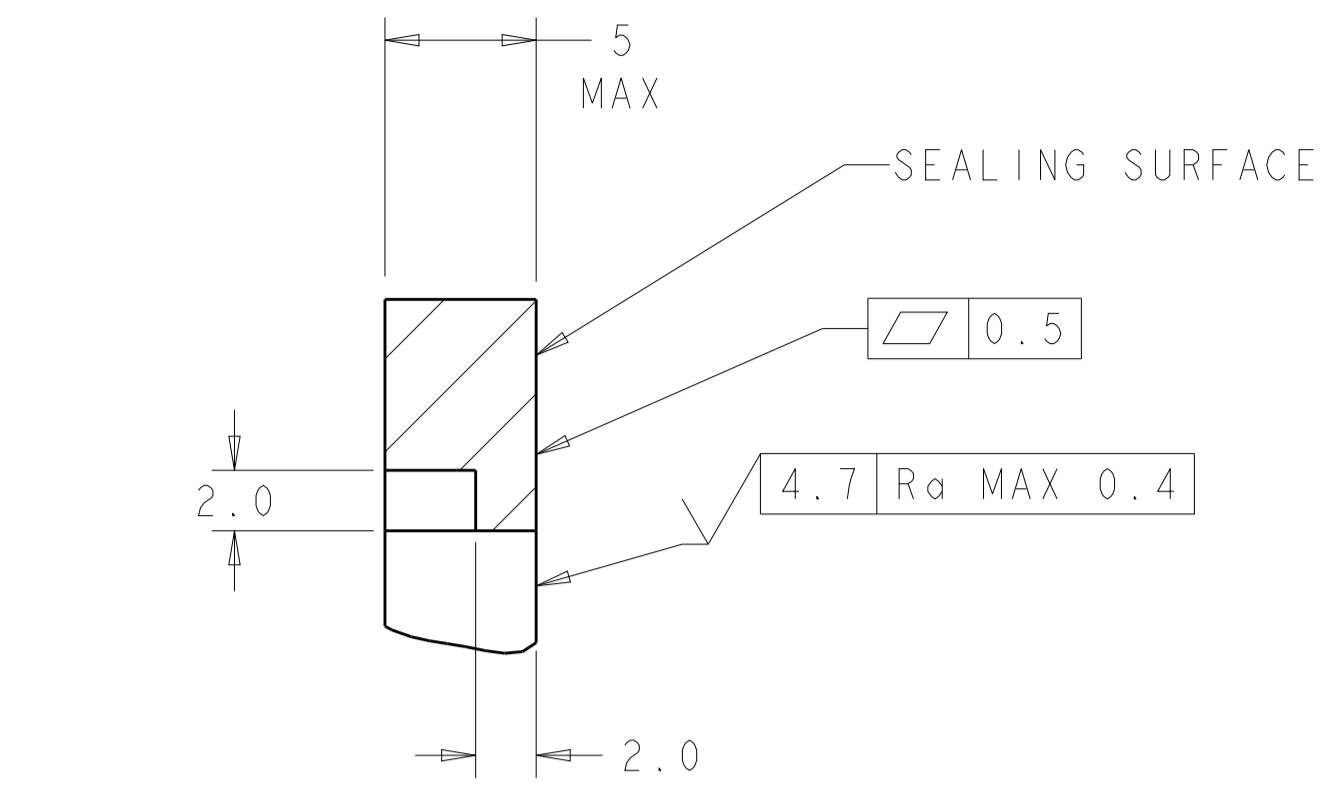
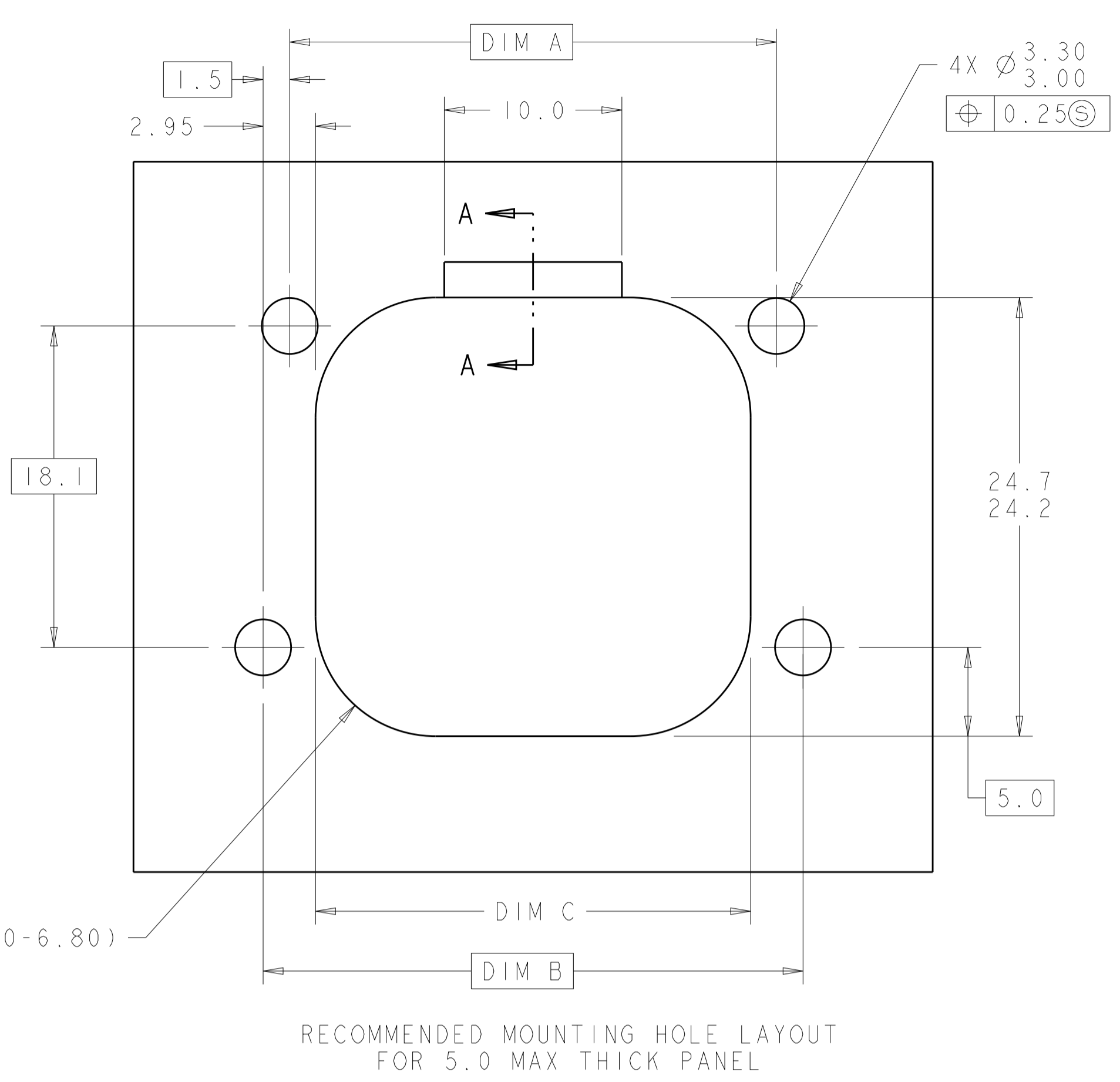
- ① ACCEPTS #4-20 SELF TAPPING THREAD FORMING TWIN HELIX PLASTITE SCREW (SINGLE HELIX OPTIMAL)
- ② HOUSING COLORS ARE MECHANICALLY KEYED TO MATE ONLY WITH IDENTICALLY COLORED PLUG ASSEMBLIES.
- ③ 0° 30' MAX DRAFT FROM TOP OF HOLE (1° INCLUDED ANGLE)



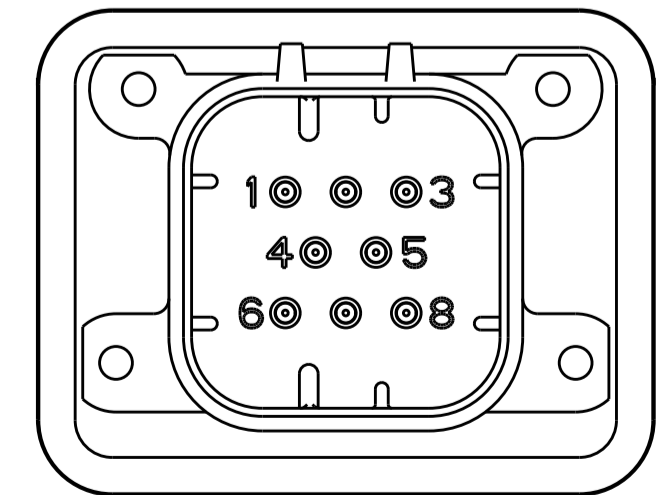
ASSEMBLY DIMENSIONS APPLY TO 776280-6 ONLY
 (HOLE LAYOUT AND P.C. BOARD LAYOUT SHOWN ON SHEET 1 APPLY TO ALL DASH NUMBERS)

THIS DRAWING IS A CONTROLLED DOCUMENT.		DWN J. MARKEY 29FEB08	BLACK	TIN PLATED	776280-6
DIMENSIONS: mm		CHK J. MARKEY 29FEB08	HEADER HOUSING COLOR	PIN	PART NUMBER
TOLERANCES UNLESS OTHERWISE SPECIFIED:		APVD J. MARKEY 29FEB08	TE Connectivity HEADER ASSEMBLY, 8 POSITION, RIGHT ANGLE, AMPSEAL		
0 PLC ±0.2 2 PLC ±0.13 3 PLC ±0.13 4 PLC ±0.13 ANGLES ±0.5°		NAME: 108-1329 APPLICATION SPEC: 114-16016 WEIGHT: - CUSTOMER DRAWING			
MATERIAL: -		SIZE: A100779	SCALE: 2:1		SHEET 2 OF 3
FINISH: -		REV: F8			

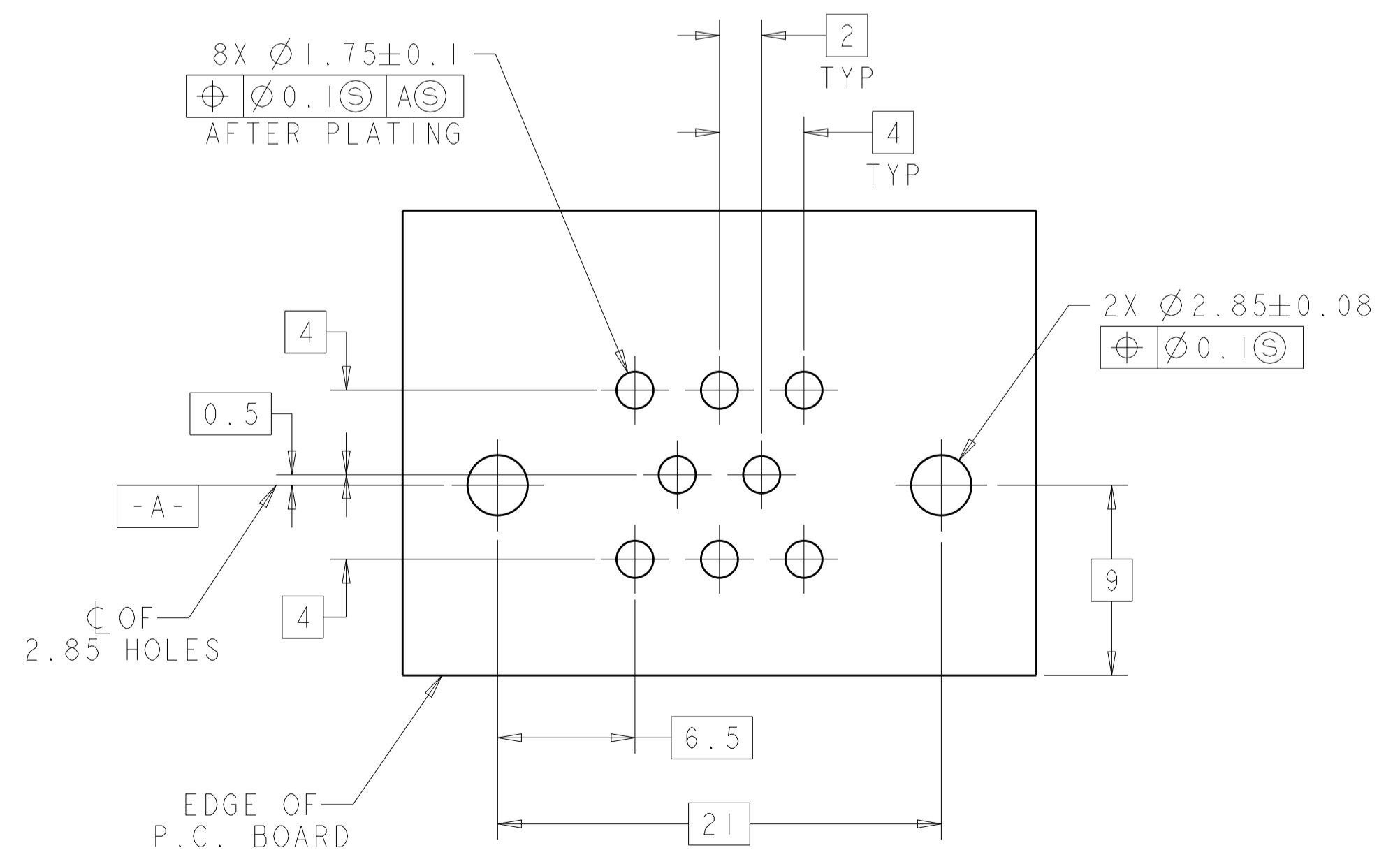
REVISIONS				
P.	LTN.	DESCRIPTION	DATE	APVD.
-	-	SEE SHEET 1	-	-



776280-1, 776280-6 & 1-776280-1
KEY LOCATION
SCALE 2:1



776280-2 & 1-776280-2
KEY LOCATION
SCALE 2:1



RECOMMENDED P.C. BOARD LAYOUT
FOR 1.57 THICK P.C. BOARD

THIS DRAWING IS A CONTROLLED DOCUMENT.		DWN J. MARKEY 29FEB08 CHK J. MARKEY 29FEB08 APVD J. MARKEY 29FEB08	TE Connectivity
DIMENSIONS: mm TOLERANCES UNLESS OTHERWISE SPECIFIED: 0 PLC ±0.2 1 PLC ±0.13 2 PLC ±0.13 3 PLC ±0.13 4 PLC ±0.13 ANGLES ±45° FINISH		NAME: HEADER ASSEMBLY, 8 POSITION, RIGHT ANGLE, AMPSEAL PRODUCT SPEC: 108-1329 APPLICATION SPEC: 114-16016 WEIGHT: A100779C=776280 CUSTOMER DRAWING	
MATERIAL:		SIZE: A100779C=776280	RESTRICTED TO: -
SCALE: 4:1		SHEET: 3 OF 3	REV: F8

Mouser Electronics

Authorized Distributor

Click to View Pricing, Inventory, Delivery & Lifecycle Information:

[TE Connectivity:](#)

[776280-1](#)