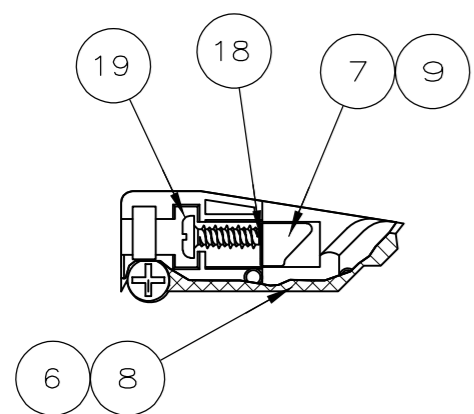
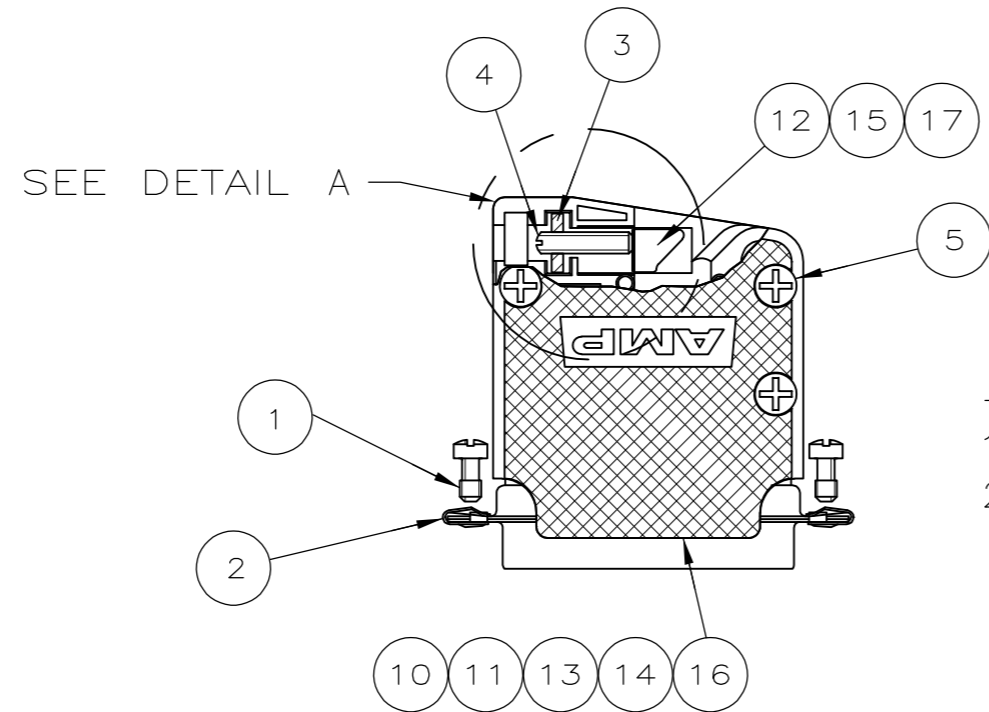


THIS DRAWING IS UNPUBLISHED. RELEASED FOR PUBLICATION  
 © COPYRIGHT 2006 By - ALL RIGHTS RESERVED.

LOC	DIST	REVISIONS			
P	LTR	DESCRIPTION	DATE	DWN	APVD
GP	00	A1	REVISED PER ECO-11-004835	11MAR11	RK HMR



DETAIL A  
FOR -1 & 2 ONLY



-3, -4, -5,  
1--1, 1--2,  
2--2 & 2--6

- 1 PARTS PACKAGED UNASSEMBLED.
- ② STAINLESS STEEL.
- ③ ZINC PLATED YELLOW CHROMATE COATING.
- ④ STEEL.
- ⑤ ZINC PLATED CLEAR CHROMATE COATING.
- ⑥ BRASS.
- ⑦ BLACK ZINC PHOSPHATE.
- ⑧ OBSOLETE.

								CONTENTS BULK PACKAGED BY ITEM			
								CONTENTS PACKAGED ONE KIT PER POLY BAG			
-	-	-	-	-	-	-	-	1	1	GATE SCREW ④ ⑦	19
-	-	-	-	-	-	-	-	1	1	SHIM ⑥	18
-	-	-	-	1	-	-	-	-	-	SIZE 5 GATE	17
-	-	-	-	1	-	-	-	-	-	SIZE 5 HOUSING	16
-	-	-	-	1	-	-	-	-	-	SIZE 4 GATE	15
-	-	-	-	1	-	-	-	-	-	SIZE 4 HOUSING	14
1	-	1	-	-	-	-	-	-	-	SIZE 3 SHORT HOUSING	13
1	1	1	-	-	-	1	-	-	-	SIZE 3 GATE	12
-	1	-	-	-	-	1	-	-	-	SIZE 3 HOUSING	11
-	-	-	1	-	-	-	-	-	-	SIZE 2 SHORT HOUSING	10
-	-	-	1	-	-	-	1	-	-	SIZE 2 GATE	9
-	-	-	-	-	-	-	1	-	-	SIZE 2 HOUSING	8
-	-	-	-	-	-	-	1	-	-	SIZE 1 GATE	7
-	-	-	-	-	-	-	1	-	-	SIZE 1 HOUSING	6
2	3	2	3	3	3	3	2	1	-	PH HD #5-21 HI-LO SCREW ④ ⑤	5
1	1	1	-	1	1	1	-	-	-	SLOTTED SET SCREW ④ ⑤	4
1	1	1	-	1	1	1	-	-	-	SQUARE NUT ④	3
2	2	2	2	2	2	2	2	2	2	CLIP ②	2
2	2	2	2	2	2	2	2	2	2	RETAINING SCREW ③ ④	1
2-6	2-2	1-2	1-1	-5	-4	-3	-2	-1	-1	DESCRIPTION	ITEM NO

THIS DRAWING IS A CONTROLLED DOCUMENT.		DWN	12SEPT05	<b>STE</b> TE Connectivity	
		CHK	12SEPT05		
		C.ROHDE		NAME	
		M.WALMSLEY		PRODUCT SPEC	
		APPLICATION SPEC		RESTRICTED TO	
		WEIGHT		SCALE	
		A2		2:1	
		CAGE CODE		SHEET	
		00779		1 of 1	
		DRAWING NO		REV	
		C=5206478		A1	
		CUSTOMER DRAWING			

DIMENSIONS:	TOLERANCES UNLESS OTHERWISE SPECIFIED:
INCHES	
0 PLC	± -
1 PLC	± -
2 PLC	± -
3 PLC	± -
4 PLC	± -
ANGLES	± -
MATERIAL HOUSING & GATES: POLYPROPYLENE	FINISH HOUSING & GATES: BLACK
HARDWARE: ② ④ ⑥	HARDWARE: ③ ⑤ ⑦

# Mouser Electronics

Authorized Distributor

Click to View Pricing, Inventory, Delivery & Lifecycle Information:

[TE Connectivity:](#)

[5206478-2](#)