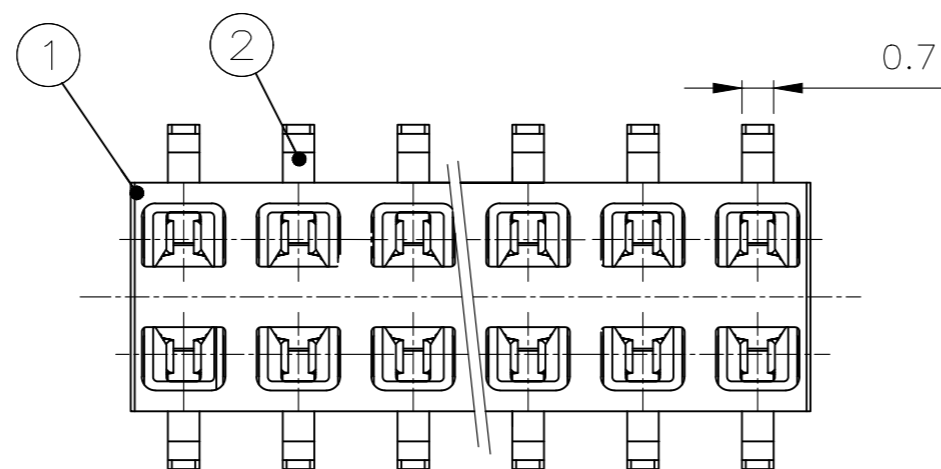
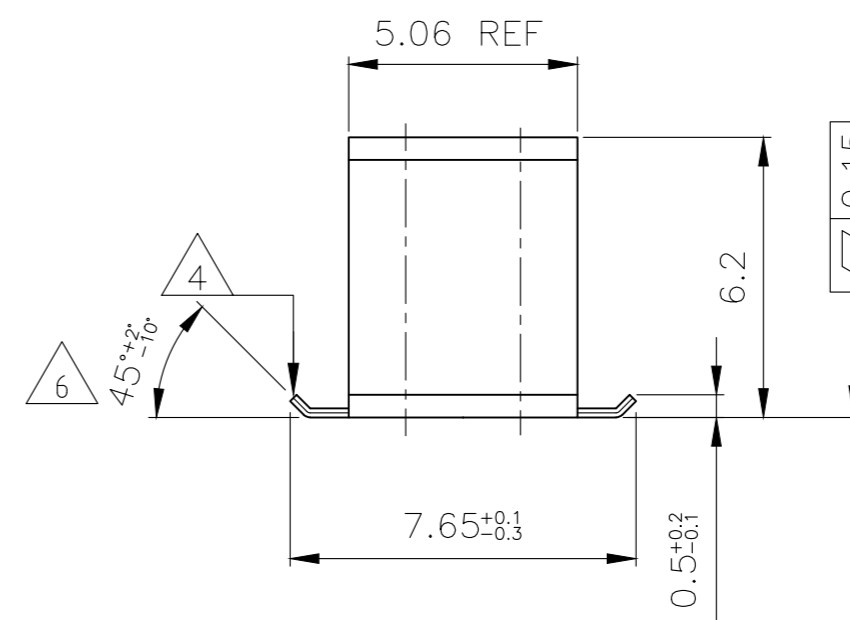
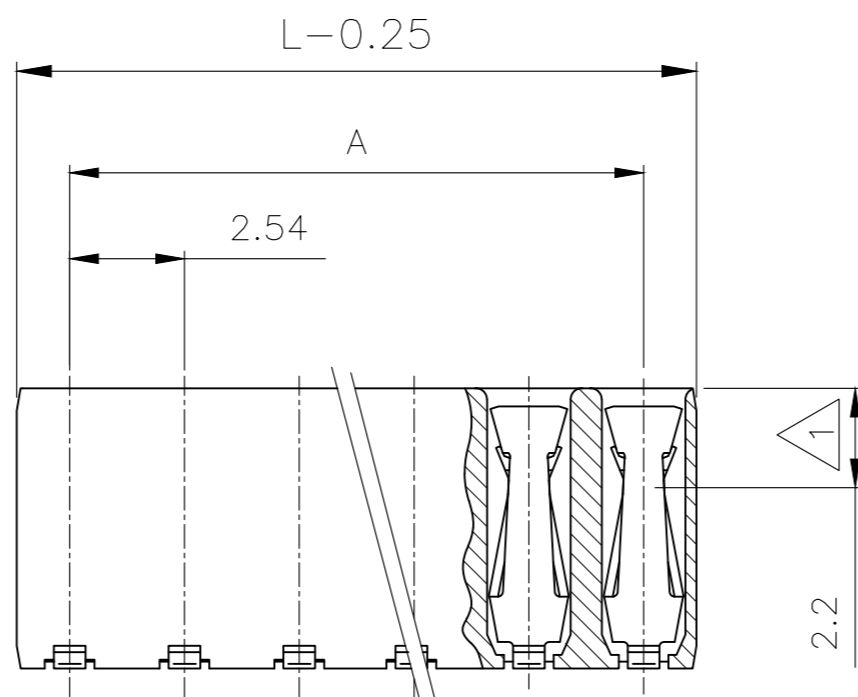
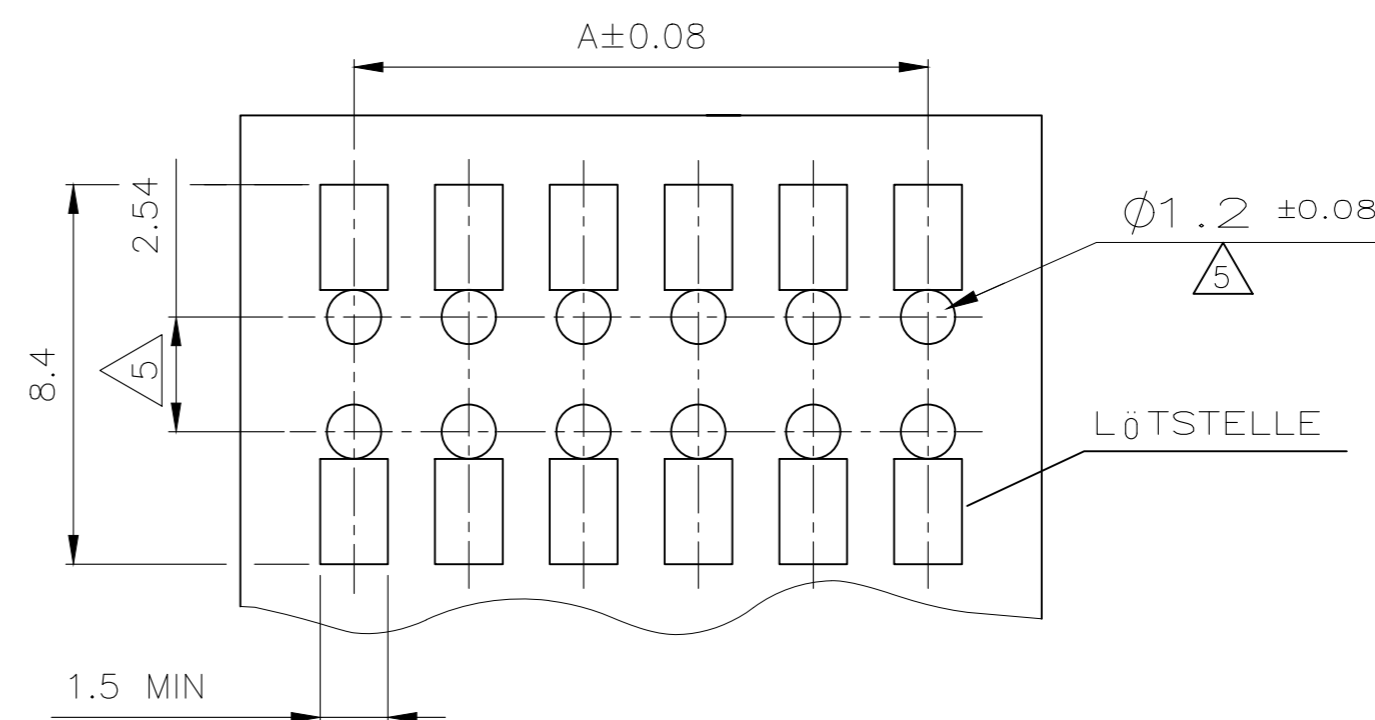


REVISIONS					
P	LTR	DESCRIPTION	DATE	DWN	APVD
	E3	PART STATUS UPDATED	09JAN2018	RK	PS

Polz.	L -0.25	A
-	-	-
2	4.88	2.54
3	7.42	5.08
4	9.96	7.62
5	12.5	10.16
6	15.04	12.7
7	17.58	15.24
8	20.12	17.78
9	22.66	20.32
10	25.2	22.86
11	27.24	25.4
12	30.28	27.94
13	32.82	30.48
14	35.36	33.02
15	37.90	35.56
16	40.44	38.10
17	42.98	40.64
18	45.52	43.18
19	48.06	45.72
20	50.60	48.26



EMPFOHLENES LEITERPLATTEN LAYOUT

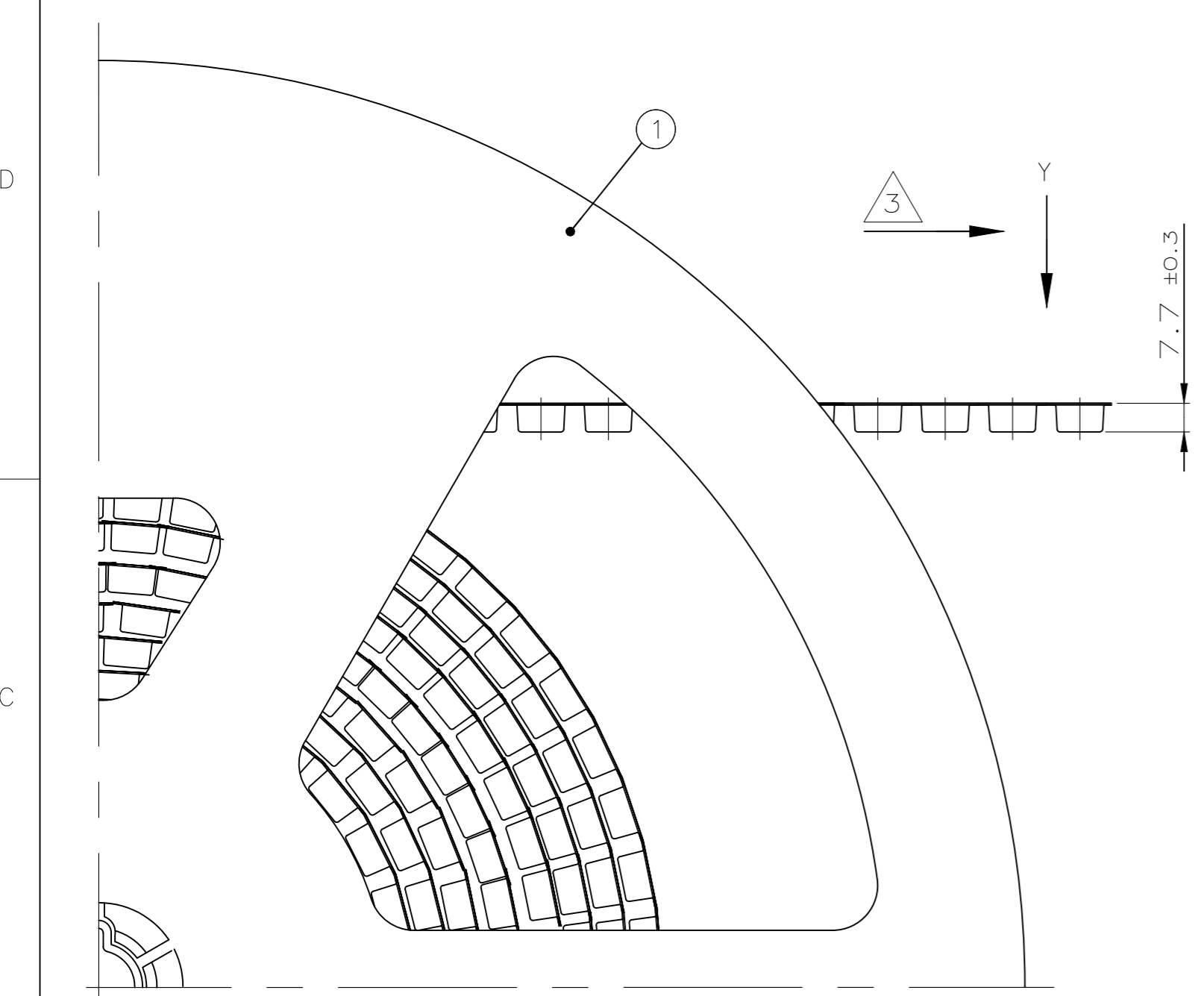


NOTES:

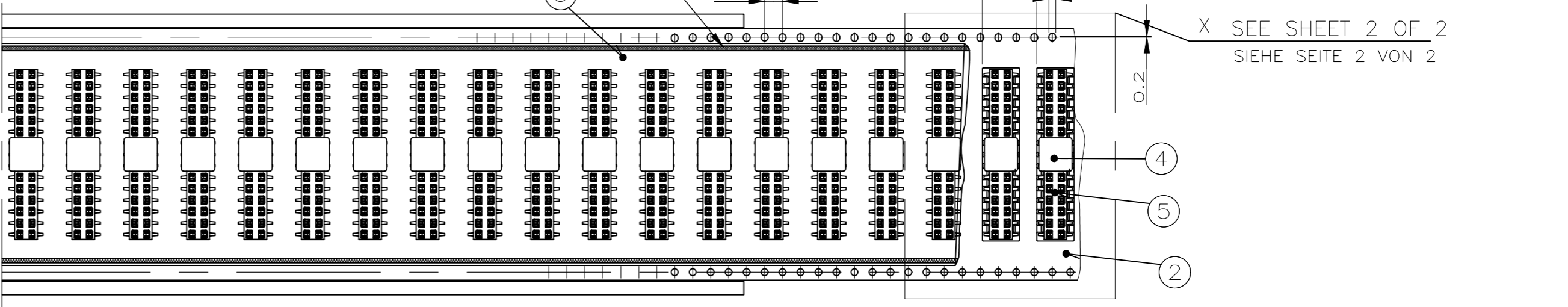
- 1 EDGE CONTACT
KONTAKTPUNKT
- 2 CONTACT RANGE: 0.8µm GOLD OVER 1.3µm Ni
SOLDERING RANGE: 2.5µm TIN OVER 1.3µm Ni
KONTAKTBEREICH: 0.8µm GOLD ÜBER 1.3µm Ni
LÖTBEREICH: 2.5µm ZINN ÜBER 1.3µm Ni
- 3 CAN BE PLUGGED IN WITH MODU II PINS Ø0.63 OR □0.63 TOP OR BOTTOM ENTRY.
STECKBAR MIT MODU II STIFTEN Ø0.63 ODER □0.63
TOP ODER BOTTOM ENTRY.
- 4 PLANE OF SECTION BLANK
SCHNITTFLÄCHE BLANK
- 5 ONLY WITH THE BOTTOM ENTRY
NUR BEI BOTTOM ENTRY
- 6 BEND ANGLE WILL BE 80°±5° WHEN PRODUCED AT DIFFERENT EQUIPMENT
(SEMI-AUTOMATIC) DUE TO CAPACITY OR MIX OF LOAD.

2	-	HV 100 KONTAKT / HV 100 CONTACT	Cu Sn	2	
1	-	HV 100 GEHÄUSE / HV 100 HOUSING	LCP	1	
POS.	STÜCK / PIECE	BENENNUNG EINZELTEIL PART DESCRIPTION	WERKSTOFF MATERIAL	OBERFLÄCHE / FARBE SURFACE / COLOR	SI No

THIS DRAWING IS A CONTROLLED DOCUMENT.		DWN M. STEIN 20-OCT-97	TE Connectivity		
DIMENSIONS: mm		CHK F. REICHARDT 20-OCT-97			
TOLERANCES UNLESS OTHERWISE SPECIFIED: TOL ± 0.2		APVD G. Feldmeier	NAME HV100 REC. CONNECTOR, SMD, DOUBLE ROW WITH ADAPTER PACKED IN BLISTER BELT		
		PRODUCT SPEC 108-19056	SIZE A2	CAGE CODE 00779	DRAWING NO. C-969973
MATERIAL SEE TABLE		FINISH SEE TABLE	WEIGHT	RESTRICTED TO	
CUSTOMER DRAWING			SCALE 1:2	SHEET 1 OF 3	REV E3



VIEW Y
ANSICHT Y M1:1



REVISIONS					
P	LTR	DESCRIPTION	DATE	DWN	APVD
-	-	SEE SHEET 1	-	-	-

X SEE SHEET 2 OF 2
SIEHE SEITE 2 VON 2

- NOTES:**
- △ SEE SHEET 1 OF 3
 - △ PACKING: 600 CONNECTORS WITH ADAPTER PER REEL
7.8m BLISTER PER REEL
7.8m COVER TAPE PER REEL
 - △ DIRECTION OF THE TOP OF THE REEL
 - △ COVER TAPE WITH BLISTER BELT WELDED
 - △ PACKING: 700 CONNECTORS WITH ADAPTER PER REEL
9m BLISTER PER REEL
9m COVER TAPE PER REEL
-
- BEMERKUNGEN:**
- △ SIEHE BLATT 1 VON 3
 - △ VERPACKUNG: 600 BUCHSENSTECKER MIT ADAPTER PRO SPULE
7.8m BLISTER PRO SPULE
7.8m ABDECKFOLIE PRO SPULE
 - △ ABWICKELRICHTUNG
 - △ ABDECKFOLIE MIT BLISTERGURT VERSCHWEIßT
 - △ VERPACKUNG: 700 BUCHSENSTECKER MIT ADAPTER PRO SPULE
9m BLISTER PRO SPULE
9m ABDECKFOLIE PRO SPULE

POS.	DESCRIPTION / BENENUNG																				SURFACE / OBERFLAECHE COLOUR / FARBE	MATERIAL
5	HV 100 CONNECTOR, SMD, 2x20pos HV 100 BUCHSENSTECKER, SMD, 2x20pol.																		1	1		
5	HV 100 CONNECTOR, SMD, 2x19pos HV 100 BUCHSENSTECKER, SMD, 2x19pol.																		1	1		
5	HV 100 CONNECTOR, SMD, 2x18pos HV 100 BUCHSENSTECKER, SMD, 2x18pol.																		1	1		
5	HV 100 CONNECTOR, SMD, 2x17pos HV 100 BUCHSENSTECKER, SMD, 2x17pol..																		1	1		
5	HV 100 CONNECTOR, SMD, 2x16pos HV 100 BUCHSENSTECKER, SMD, 2x16pol.																		1	1		
5	HV 100 CONNECTOR, SMD, 2x15pos HV 100 BUCHSENSTECKER, SMD, 2x15pol.																		1	1		
5	HV 100 CONNECTOR, SMD, 2x14pos HV 100 BUCHSENSTECKER, SMD, 2x14pol.																		1	1		
5	HV 100 CONNECTOR, SMD, 2x13pos HV 100 BUCHSENSTECKER, SMD, 2x13pol.																		1	1		
5	HV 100 CONNECTOR, SMD, 2x12pos HV 100 BUCHSENSTECKER, SMD, 2x12pol.																		1	1		
5	HV 100 CONNECTOR, SMD, 2x11pos HV 100 BUCHSENSTECKER, SMD, 2x11pol.																		1	1		
5	HV 100 CONNECTOR, SMD, 2x10pos HV 100 BUCHSENSTECKER, SMD, 2x10pol.																		1	1		
5	HV 100 CONNECTOR, SMD, 2x9pos HV 100 BUCHSENSTECKER, SMD, 2x9pol.																		1	1		
5	HV 100 CONNECTOR, SMD, 2x8pos HV 100 BUCHSENSTECKER, SMD, 2x8pol.																		1	1		
5	HV 100 CONNECTOR, SMD, 2x7pos HV 100 BUCHSENSTECKER, SMD, 2x7pol.																		1	1		
5	HV 100 CONNECTOR, SMD, 2x6pos HV 100 BUCHSENSTECKER, SMD, 2x6pol.																		1	1		
5	HV 100 CONNECTOR, SMD, 2x5pos HV 100 BUCHSENSTECKER, SMD, 2x5pol.																		1	1		
5	HV 100 CONNECTOR, SMD, 2x4pos HV 100 BUCHSENSTECKER, SMD, 2x4pol.																		1	1		
5	HV 100 CONNECTOR, SMD, 2x3pos HV 100 BUCHSENSTECKER, SMD, 2x3pol.																		1	1		
5	HV 100 CONNECTOR, SMD, 2x2pos HV 100 BUCHSENSTECKER, SMD, 2x2pol.																		1	1		
4	ADAPTER																		LCP	BLACK / SCHWARZ		
4	ADAPTER																		LCP	BLACK / SCHWARZ		
3	COVER TAPE/ABDECKFOLIE 65.4mm																		PET	TRANSPARENT		
3	COVER TAPE/ABDECKFOLIE 49.4mm																		PET	TRANSPARENT		
3	COVER TAPE/ABDECKFOLIE 37.4mm																		PET	TRANSPARENT		
3	COVER TAPE/ABDECKFOLIE 25.4mm																		PET	TRANSPARENT		
2	BLISTER BELT/BLISTERGURT 72mm																		PS	BLACK		
2	BLISTER BELT/BLISTERGURT 56mm																		PS	BLACK		
2	BLISTER BELT/BLISTERGURT 44mm																		PS	BLACK		
2	BLISTER BELT/BLISTERGURT 32mm																		PS	BLACK		
1	REEL Ø380/150x80.4																		PS	GREY / GRAU		
1	REEL Ø330/150x62.4																		PS	GREY / GRAU		
1	REEL Ø330/150x50.4																		PS	GREY / GRAU		
1	REEL Ø330x150x38.4																		PS	GREY / GRAU		

OBSOLETE

THIS DRAWING IS A CONTROLLED DOCUMENT.

DIMENSIONS: mm	TOLERANCES UNLESS OTHERWISE SPECIFIED: 0 PLC ± 0.2 1 PLC ± 0.1 2 PLC ± 0.1 3 PLC ± - 4 PLC ± - ANGLES ± -
MATERIAL SEE TABLE	FINISH SEE TABLE

DWN M. STEIN 20-OCT-97	CHK F. REICHARDT 20-OCT-97	APVD G. Feldmeier	NAME -
PRODUCT SPEC 108-19056		APPLICATION SPEC -	
WEIGHT		SIZE A2	CAGE CODE 00779
CUSTOMER DRAWING		DRAWING NO. C-969973	RESTRICTED TO -

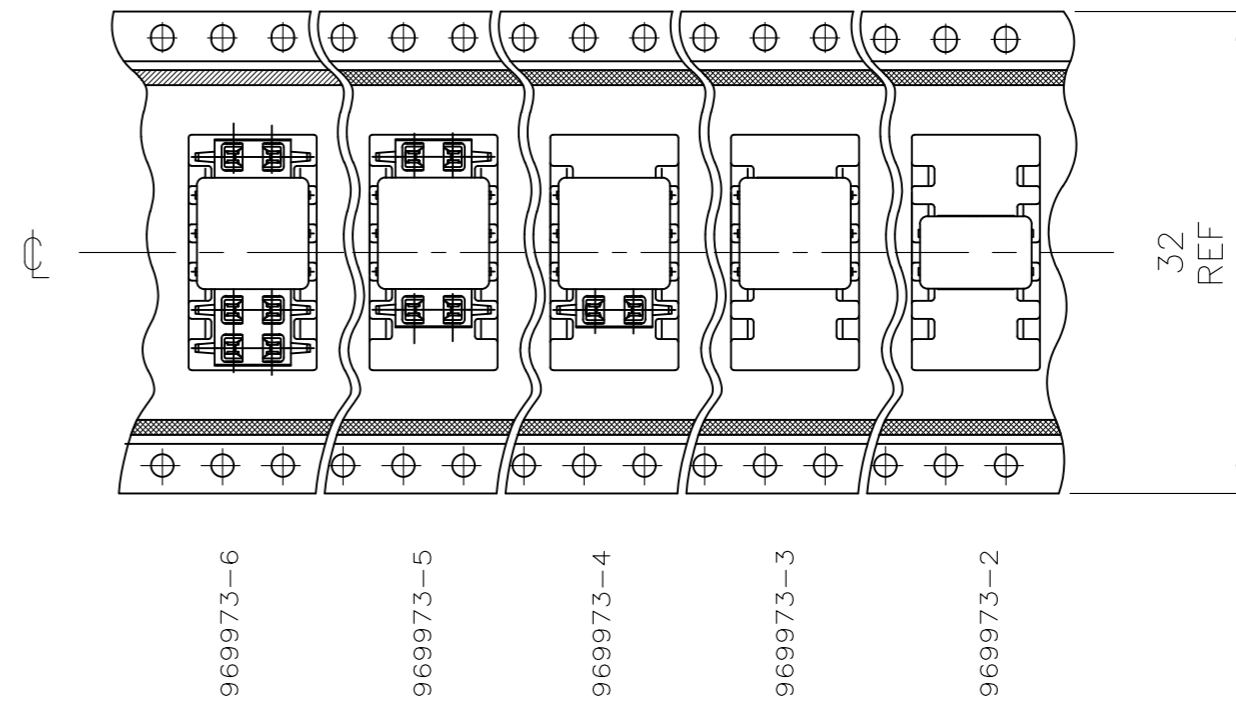
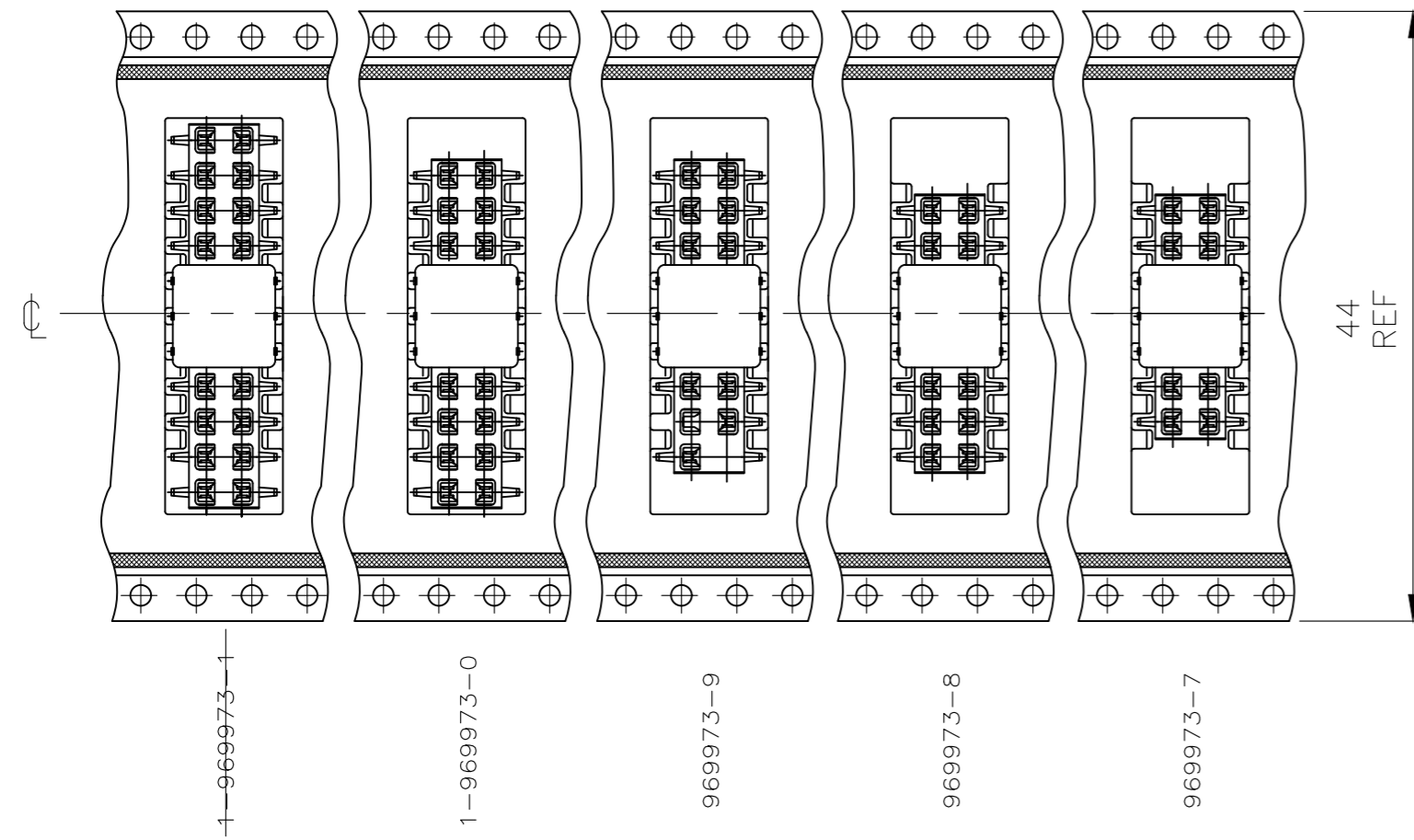
STE TE Connectivity

HV100 REC. CONNECTOR, SMD, DOUBLE ROW
WITH ADAPTER PACKED IN BLISTER BELT

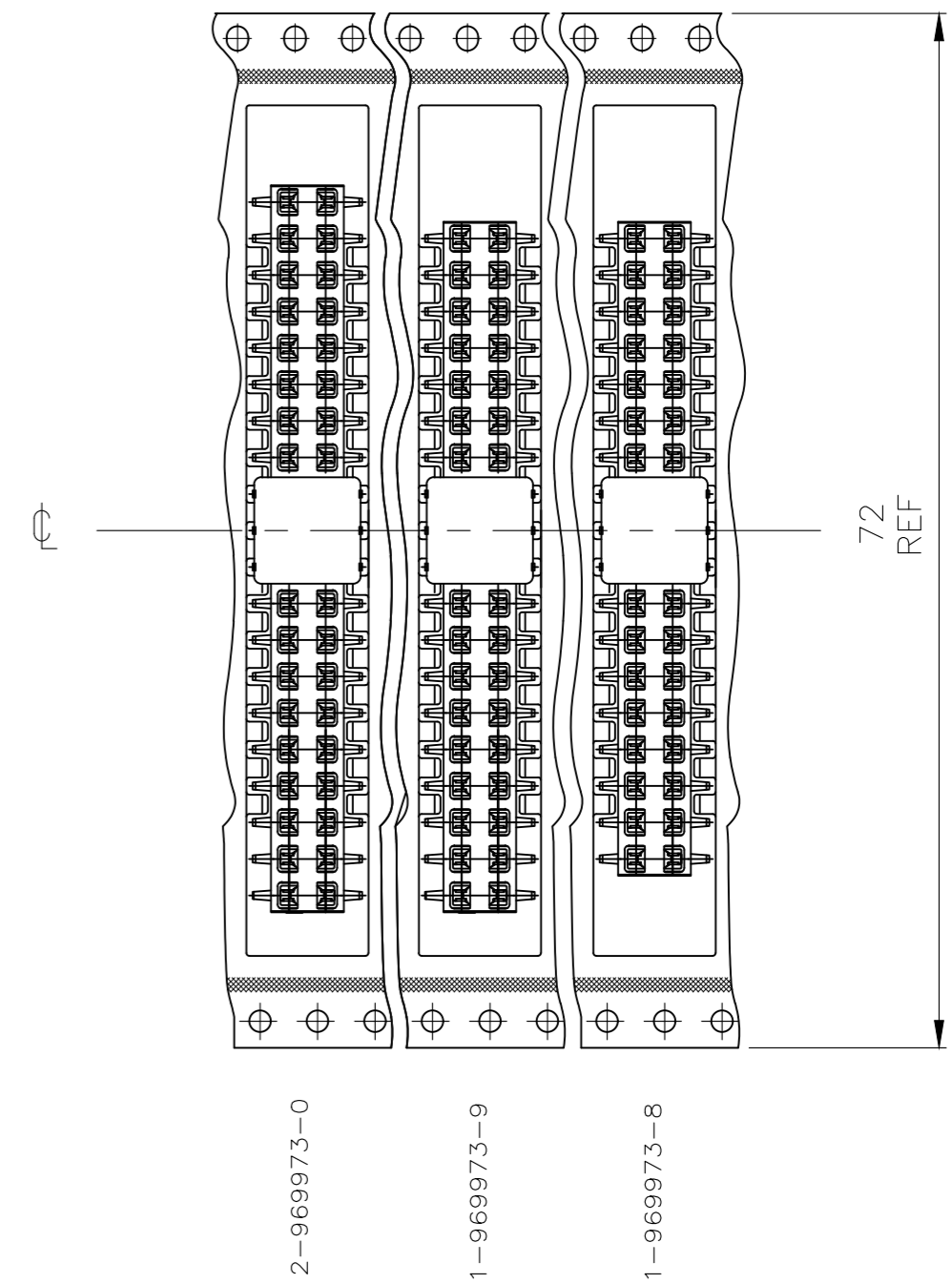
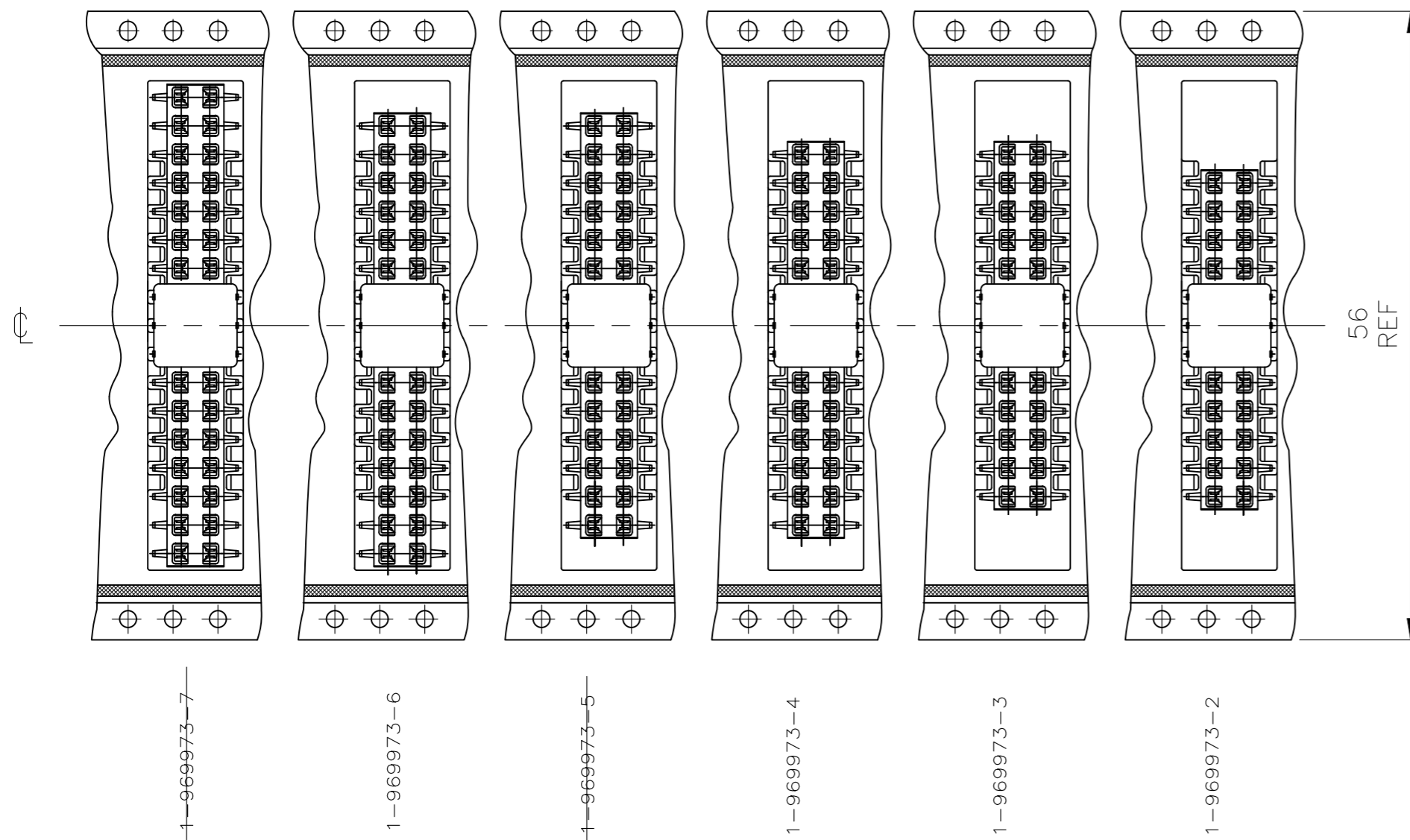
SCALE 1:2 SHEET 2 of 3 REV E3


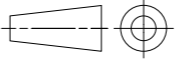
REVISIONS				
P	LTR	DESCRIPTION	DATE	APVD
-	-	SEE SHEET 1	-	-

DETAIL X
EINZELHEIT X



ABWICKELRICHTUNG
DIRECTION OF THE TOP OF THE REEL



THIS DRAWING IS A CONTROLLED DOCUMENT.		DWN M. STEIN 20-OCT-97	 TE Connectivity	
DIMENSIONS: mm		CHK F. REICHARDT 20-OCT-97		
		APVD G. Feldmeier PRODUCT SPEC 108-19056 APPLICATION SPEC -		NAME HV100 REC. CONNECTOR, SMD, DOUBLE ROW WITH ADAPTER PACKED IN BLISTER BELT
MATERIAL SEE TABLE		WEIGHT		SIZE A2
TOLERANCES UNLESS OTHERWISE SPECIFIED:		FINISH		CAGE CODE 00779
0 PLC ± 0.2		SEE TABLE		DRAWING NO. C-969973
1 PLC ± 0.1				RESTRICTED TO -
2 PLC ± 0.1				SCALE 1:2
3 PLC ± -				SHEET 3 of 3
4 PLC ± -				REV E3
ANGLES ± -				
CUSTOMER DRAWING				

Mouser Electronics

Authorized Distributor

Click to View Pricing, Inventory, Delivery & Lifecycle Information:

[TE Connectivity:](#)

[969973-9](#)