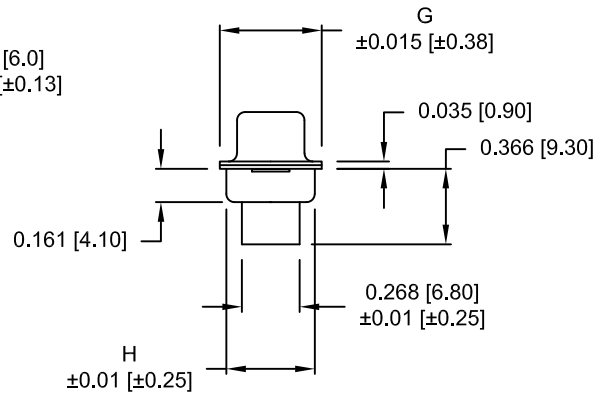
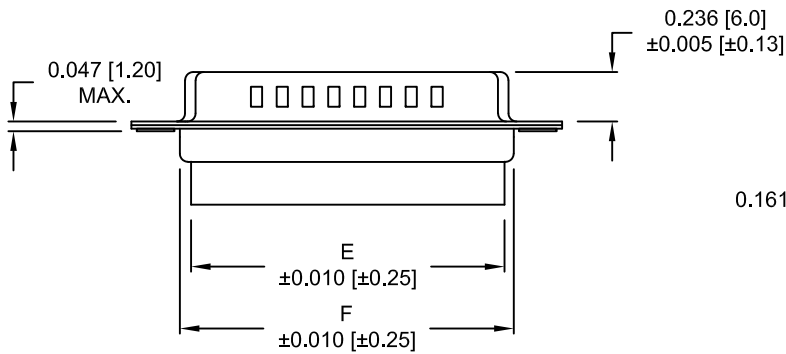
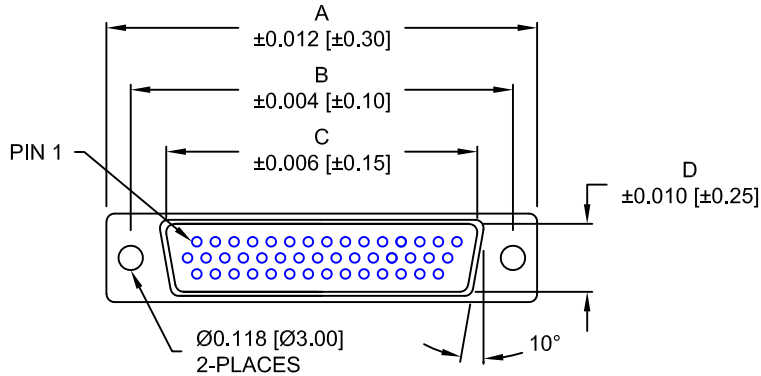


DESCRIPTION: MALE - CRIMP AND LOAD

DIMENSIONS

No. OF PINS	A	B	C	D	E	F	G	H
15	1.213	0.984	0.666	0.325	0.610	0.759	0.494	0.421
	30.81	24.99	16.92	8.25	15.50	19.28	12.55	10.70
26	1.541	1.312	0.994	0.325	0.964	1.083	0.494	0.421
	39.14	33.32	25.25	8.25	24.50	27.51	12.55	10.70
44	2.088	1.852	1.534	0.325	1.494	1.625	0.494	0.421
	53.04	47.04	38.96	8.25	37.95	41.28	12.55	10.70
62	2.729	2.500	2.182	0.319	2.142	2.272	0.494	0.421
	69.32	63.50	55.42	8.1	54.40	57.71	12.55	10.70
78	2.638	2.406	2.079	0.445	2.043	2.169	0.606	0.526
	67.00	61.10	52.80	11.30	51.90	55.10	15.40	13.35

4 ROWS



180-YYY-17YLYY0

SERIES _____
 POSITIONS _____
 015 _____
 026 _____
 044 _____
 062 _____
 078 _____
 GENDER _____
 1 = MALE _____
 TERMINATION _____
 7 = CRIMP & LOAD _____
 SHELL PLATING _____
 2 = TIN (GROUND INDENTS) _____
 3 = NICKEL (GROUND INDENTS) _____
 RoHS COMPLIANT (230°C) _____
 HARDWARE OPTIONS _____
 00 = NO HARDWARE _____
 01 = .157" CLINCH NUT (BOARD SIDE) _____
 02 = .236" CLINCH NUT (BOARD SIDE) _____
 03 = .236" CLINCH NUT (MATING SIDE) _____
 PLATING OPTIONS _____
 0 = NO CONTACTS _____

MATERIAL:

SHELL: STEEL, TIN OR NICKEL PLATED
 INSULATOR: PBT, UL 94V-O RATED,
 +30% FIBER-GLASS OR NYLON-66
 CONTACT: BRASS, GOLD PLATED OVER NICKEL

ELECTRICAL:

CURRENT RATING: 3 AMPS
 CONTACT RESISTANCE: 15 mOhms Max.
 INSULATION RESISTANCE: 1,000 MOhms min.
 VOLTAGE: 500VAC FOR 1 MINUTE
 TEMPERATURE: -50° C TO 100° C

DO NOT SCALE FROM DRAWING

RoHS COMPLIANT

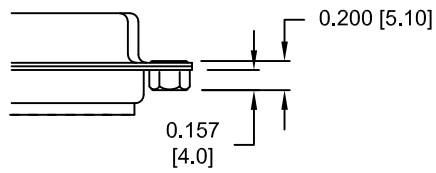
	THESE DRAWINGS AND SPECIFICATIONS ARE THE PROPERTY OF NorComp AND SHALL NOT BE REPRODUCED, COPIED OR USED AS THE BASIS FOR THE MANUFACTURE OF SALE OF APPARATUS WITHOUT WRITTEN PERMISSION.	DRAWN: JOSHUA KADEL	DATE: 07-16-18
		CHECKED:	DATE:
<h1>NorComp</h1>		SCALE: NTS	SHEET OF 1 2
		DWG NO. 180-YYY-17YLYY0	

DESCRIPTION: CLINCH NUT HARDWARE

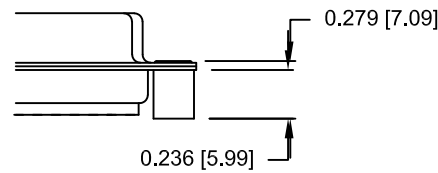
ALL CLINCH-NUTS ARE 4-40 INTERNAL THREADS

TOLERANCE:
ALL DIMENSIONS ARE ± 0.010

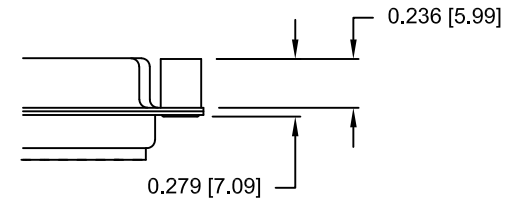
01X 0.157" (BOARD SIDE) - CN1



02X 0.236" (BOARD SIDE) - CN2



03X..... 0.236" (MATING SIDE) - CN8



DO NOT SCALE FROM DRAWING



THESE DRAWINGS AND SPECIFICATIONS ARE THE PROPERTY OF NorComp AND SHALL NOT BE REPRODUCED, COPIED OR USED AS THE BASIS FOR THE MANUFACTURE OF SALE OF APPARATUS WITHOUT WRITTEN PERMISSION.

DRAWN: JOSHUA KADEL		DATE: 07-16-18	
CHECKED:		DATE:	
SCALE: NTS	SHEET 2	OF 2	REV 18
DWG NO. 180-YYY-17YLYY0			

RoHS COMPLIANT

NorComp

Mouser Electronics

Authorized Distributor

Click to View Pricing, Inventory, Delivery & Lifecycle Information:

NorComp:

[180-078-173L000](#) [180-015-173L010](#) [180-015-173L020](#) [180-015-173L030](#) [180-026-173L010](#) [180-026-173L020](#)
[180-026-173L030](#) [180-044-173L010](#) [180-044-173L020](#) [180-044-173L030](#) [180-062-173L010](#) [180-062-173L020](#) [180-](#)
[062-173L030](#) [180-078-173L010](#) [180-078-173L020](#) [180-078-173L030](#) [180-044-173L000](#) [180-015-173L000](#) [180-026-](#)
[173L000](#) [180-062-173L000](#) [180-015-172L000](#) [180-015-172L010](#) [180-015-172L020](#) [180-015-172L030](#) [180-026-](#)
[172L000](#) [180-026-172L010](#) [180-026-172L020](#) [180-026-172L030](#) [180-044-172L000](#) [180-044-172L010](#) [180-044-](#)
[172L020](#) [180-044-172L030](#) [180-062-172L000](#) [180-062-172L010](#) [180-062-172L020](#) [180-062-172L030](#) [180-078-](#)
[172L000](#) [180-078-172L010](#) [180-078-172L020](#) [180-078-172L030](#) [180-062-172-000](#) [180-026-172-000](#) [180-044-172-](#)
[000](#) [180-078-172-000](#) [180-015-172-000](#)