

| | | | | | | | |
|------------|---------------------|----------------------|---|--|--|--|--|
| REV 008 | DATE 15 Mar 2018 | ECN NUMBER C03732 | ECB COMMENT ADD TORQUE SETTING MIN 0.5 nM- 1nM MAX | | | | |
|------------|---------------------|----------------------|---|--|--|--|--|

INSULATED BINDING POST WITH A 4mm SOCKET.
 PANEL INSULATING BUSHES WITH A LOCATION KEYWAY,
 THREADED TERMINATION SUPPLIED WITH SOLDER TAG WASHER
 AND LOCK NUTS.
 AVAILABLE IN 7 COLOUR VARIATIONS

MATERIAL:

| | |
|-------------------|-----------------------------|
| CAP | :ACETAL |
| THREAD CONTACT | :BRASS, BRIGHT NICKEL PLATE |
| INSERT | :BRASS, BRIGHT NICKEL PLATE |
| BUSH | :BRASS BRIGHT NICKEL PLATE |
| INSULATING BUSHES | :ACETAL |
| LOCKNUT | :BRASS, BRIGHT NICKEL PLATE |
| WASHER | :BRASS, BRIGHT NICKEL PLATE |
| SOLDER TAG | :BRASS, FLASH SILVER PLATE |

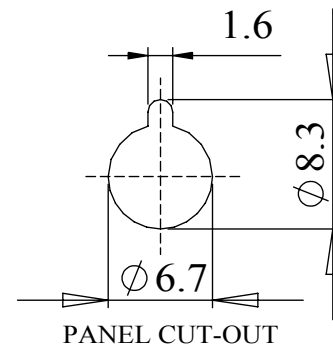
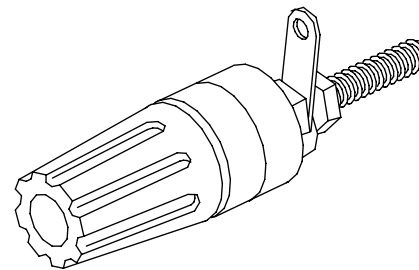
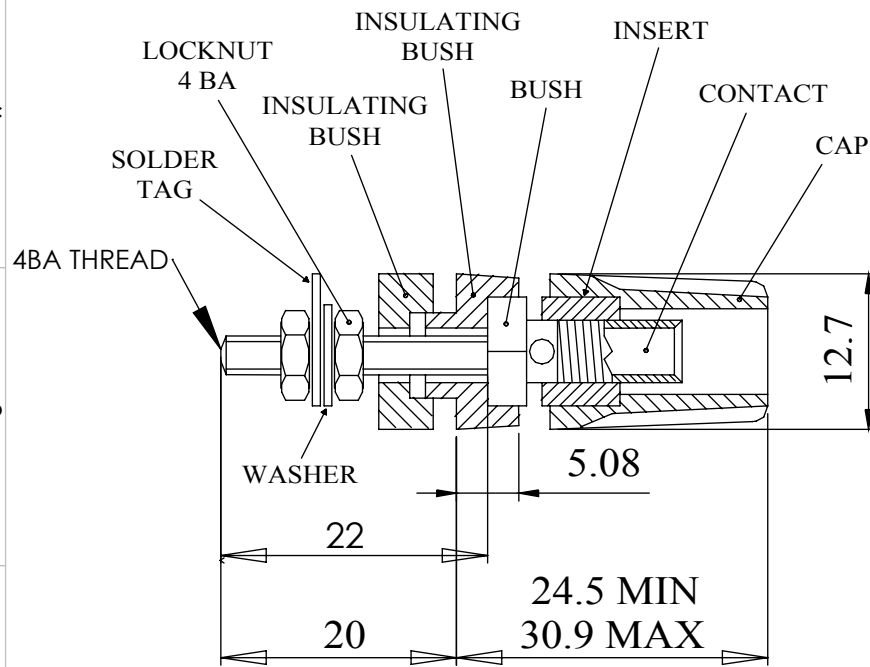
ELECTRICAL:

| | |
|----------------|----------|
| CURRENT RATING | :16 AMPS |
| RATED VOLTAGE | : 50 V |

MECHANICAL:

| | |
|--------------------|---------------------------|
| RECOMMENDED TORQUE | : MIN 0.5 nM - MAX 1.0 Nm |
| THREAD | :4BA (3.6mm OR 0.141inch) |
| PANEL THICKNESS | : 12.7mm (MAX) |

DIMENSIONS



| COLOUR | PART NUMBER |
|--------|-------------|
| BLACK | 552-0100 |
| BLUE | 552-0200 |
| BROWN | 552-0300 |
| GREEN | 552-0400 |
| RED | 552-0500 |
| WHITE | 552-0600 |
| YELLOW | 552-0700 |

+44(0)1724 273200 www.dem-uk.com

PROPRIETARY AND CONFIDENTIAL:
 THE INFORMATION CONTAINED IN THIS DRAWING IS THE SOLE PROPERTY OF ALPHA 3 MANUFACTURING. ANY REPRODUCTION IN PART OR AS A WHOLE WITHOUT THE WRITTEN PERMISSION OF ALPHA 3 MANUFACTURING IS PROHIBITED.
 DEM Manufacturing is a division of Alpha 3 Manufacturing LTD
 DEM Manufacturing, Deltron Emcon House, Hangreaves Way, Sawcliffe Ind. Park, Scunthorpe, North Lincolnshire, DN15 8RF, UK

UNLESS OTHERWISE SPECIFIED DIMENSIONS ARE IN MILLIMETRES
 LINEAR & RADIAL TOLERANCE:
NO DECIMAL PLACES ±0.2mm
1 DECIMAL PLACE ±0.1mm
2 DECIMAL PLACES ±0.05mm
ANGULAR TOLERANCE: ±1°

IF IN DOUBT ASK! DO NOT SCALE DRAWING!

| | |
|----------|----------|
| FINISH | SEE NOTE |
| MATERIAL | SEE NOTE |

THE FINISHED PRODUCT SHOULD BE CLEAN AND FREE FROM ALL LIQUIDS AND DEBRIS. SURFACES SHOULD BE OF UNIFORM APPEARANCE FREE FROM SHARP EDGES, BURRS AND CORROSION

| | | | |
|------------------------|--------------|------------|-----------------------|
| AUTHOR | Shaun Barron | TITLE | GENERAL SPECIFICATION |
| EDITOR | DT | FILE | 552 SERIES |
| APPROVER | WC | PART | 552-0x00 |
| THIRD ANGLE PROJECTION | SHEET 1 OF 1 | ISSUE/REV. | 008 |
| SCALE | 1:1 A4 | RELEASED | VERSION 21 |
| | | EDIT DATE | 15 Mar 2018 |

Mouser Electronics

Authorized Distributor

Click to View Pricing, Inventory, Delivery & Lifecycle Information:

[Deltron:](#)

[552-0500 RED](#)