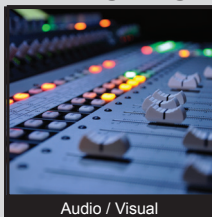


PV3 SERIES ANTI-VANDAL SWITCH

ANTI-VANDAL SWITCHES
DETECTOR SWITCHES
DIP SWITCHES
KEYLOCK SWITCHES
NAVIGATION SWITCHES
PUSHBUTTON SWITCHES
ROCKER SWITCHES
ROTARY SWITCHES
SLIDE SWITCHES
SNAP ACTION SWITCHES
TACTILE SWITCHES
TOGGLE SWITCHES
CAP OPTIONS



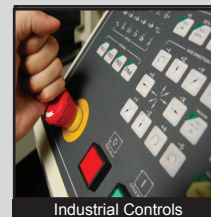
APPLICATIONS / MARKETS



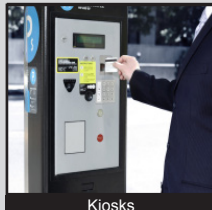
Audio / Visual



Security Devices



Industrial Controls



Kiosks



Electrical Housewares



Medical Equipment

RoHS

SPECIFICATIONS

Electrical Rating: 2A, 48VDC
Mechanical Life: 200,000 Cycles
Electrical Life: 50,000 Cycles
Contact Resistance: 50mΩ Max.
Insulation Resistance: 1000MΩ Max.
Operating/Storage Temperature: -20°C to 55°C
Travel: 2.80mm
Moisture Protection: IP40 (PV3,PV3S) & IP67 (PV3W, PV3SW)
Contact Arrangement: SPST & DPDT
Actuation Force: 4 N
Panel Thickness: 1-8mm
Mounting Nut Torque: 0.6Nm

FEATURES & BENEFITS

- 16mm diameter panel cutout
- Dot and ring illumination options
- Multiple actuator options
- Non-sealed and seal option configurable
- SPST & DPDT

PART NUMBER CONFIGURATOR

Series	Actuator Options	Terminal Options	Function Options	Rating Options	Body Finish Options	Actuator Finish Options	Contact Material Options	Lens Style Options	Lens Color Options	Illumination Voltage Options
<input type="text"/> <input type="text"/> <input type="text"/> <input type="text"/> <input type="text"/> <input type="text"/>	<input type="text"/>	<input type="text"/>	<input type="text"/>	<input type="text"/>	<input type="text"/>	<input type="text"/>	<input type="text"/>	<input type="text"/>	<input type="text"/>	<input type="text"/>
PV3 - Non Water-Resistant Version: Long Body PV3S - Non Water-Resistant Version: Short Body <i>Non-Illuminated only</i> PV3W - Water-Resistant Version: Long Body PV3SW - Water-Resistant Version: Short Body <i>Non-Illuminated only</i>	F - Flat H - High G - Guarded Concave	2 - Solder	B - 1 Pole On - (On)* H - 2 Pole On - (On)*	0 - 2A, 48VDC	1 - Black Anodized N - Nickel B - Brushed Stainless S - Polished Stainless	0 - Clear/Aluminum 1 - Black Anodized 7 - Blue 8 - Green 9 - Red N - Nickel B - Brushed Stainless S - Polished Stainless	NONE - Silver G - Gold	NONE - Non-Illuminated 2 - Dot Illumination 3 - Ring Illumination	NONE - Non-Illuminated 0 - White 1 - Red 2 - Orange 3 - Green 4 - Blue 5 - Yellow	NONE - Non-Illuminated 1 - Base Voltage† 3 - 6V 4 - 12V 5 - 24V 6 - 125V

NOTES:
 *() denotes function is momentary

Specifications subject to change without notice 1.12.2018



E-SWITCH®

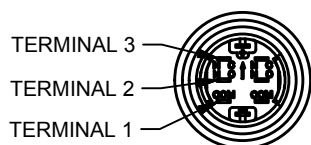
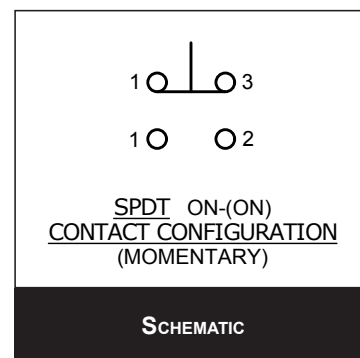
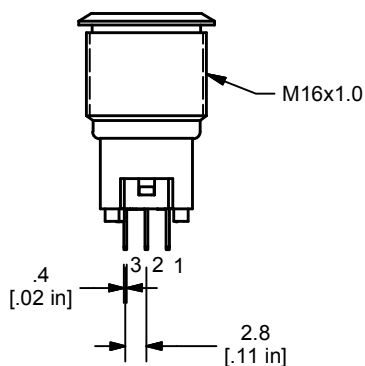
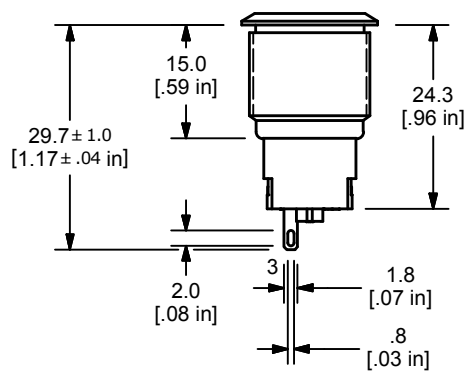
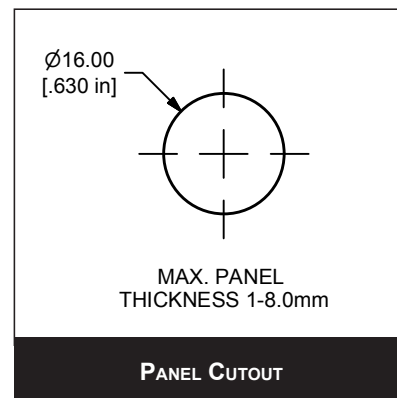
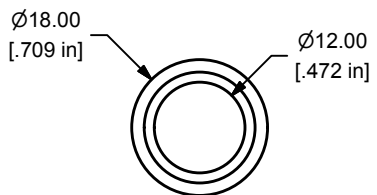
www.e-switch.com

800.867.2717

1

PV3 SERIES ANTI-VANDAL SWITCH

BODY DIMENSIONS



SHORT BODY



E-SWITCH®

www.e-switch.com

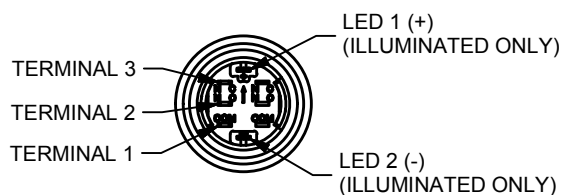
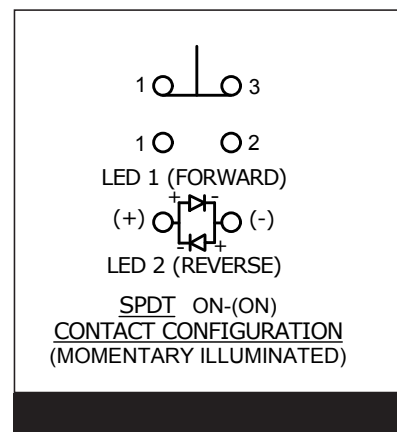
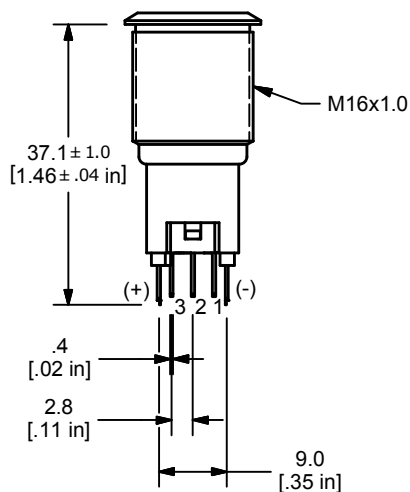
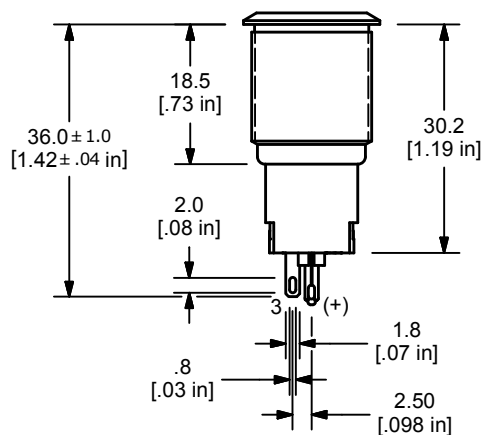
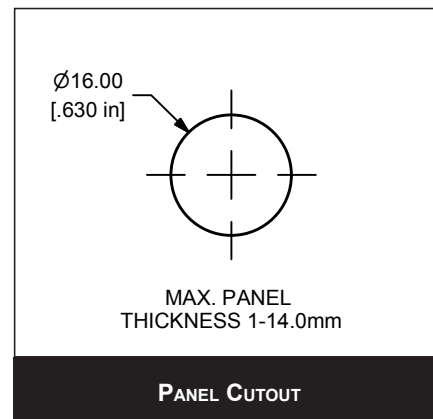
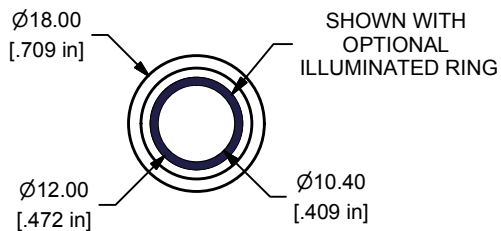
800.867.2717

2

ANTI-VANDAL SWITCHES
DETECTOR SWITCHES
DIP SWITCHES
KEYLOCK SWITCHES
NAVIGATION SWITCHES
PUSHBUTTON SWITCHES
ROCKER SWITCHES
ROTARY SWITCHES
SLIDE SWITCHES
SNAP ACTION SWITCHES
TACTILE SWITCHES
TOGGLE SWITCHES
CAP OPTIONS

PV3 SERIES ANTI-VANDAL SWITCH

BODY DIMENSIONS

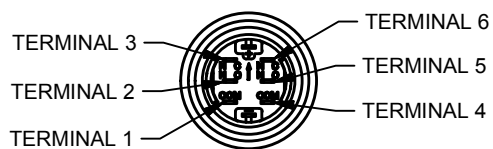
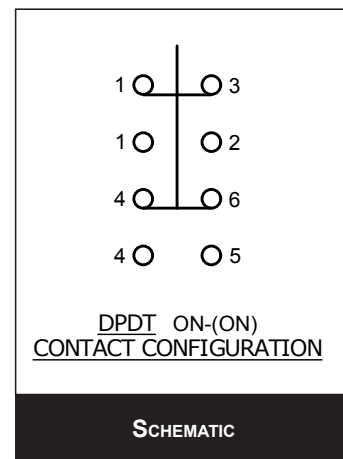
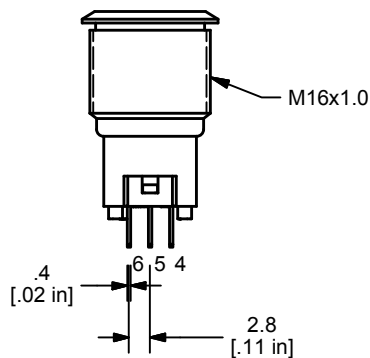
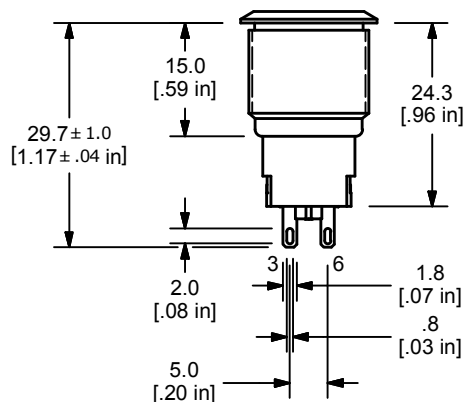
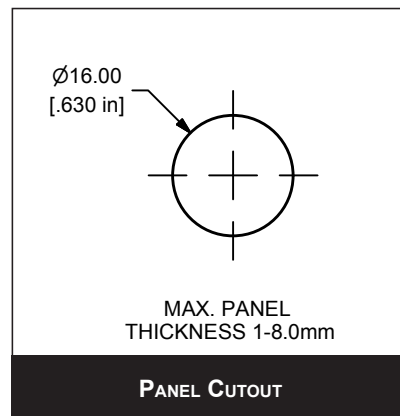
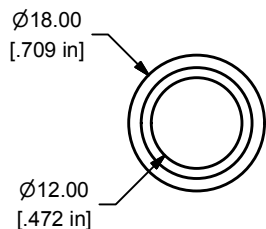


LONG BODY



PV3 SERIES ANTI-VANDAL SWITCH

BODY DIMENSIONS

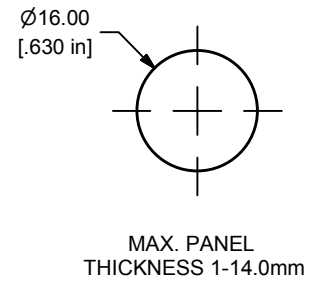
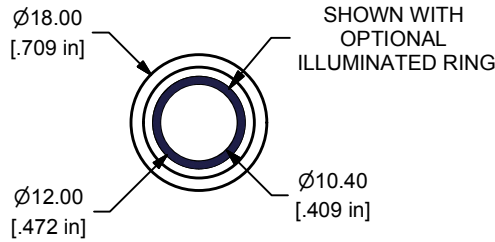


SHORT BODY

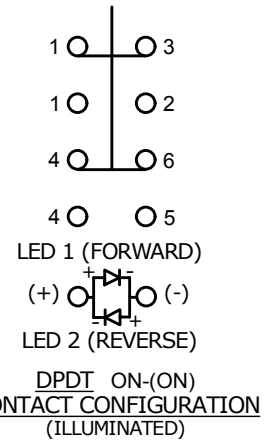
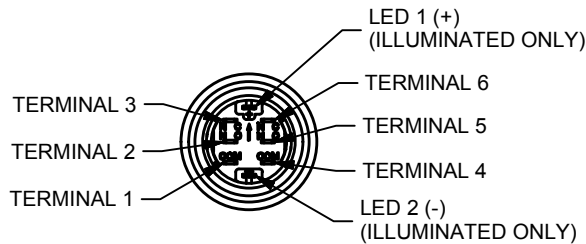
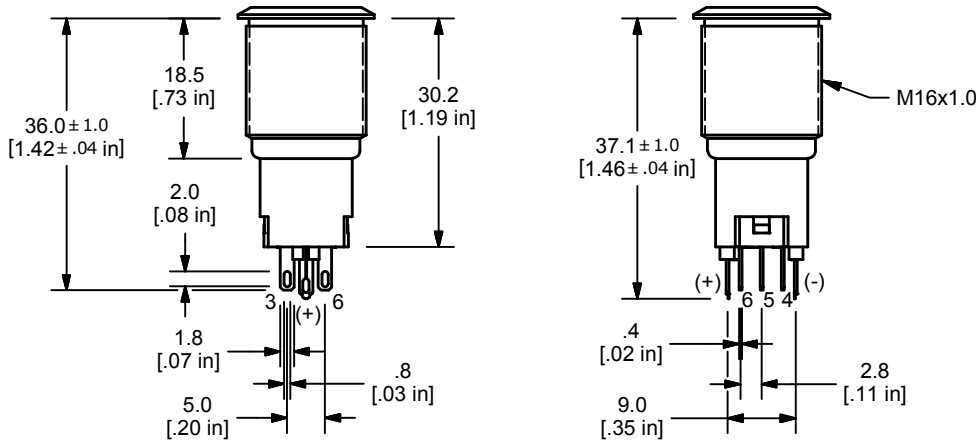


PV3 SERIES ANTI-VANDAL SWITCH

BODY DIMENSIONS



PANEL CUTOUT



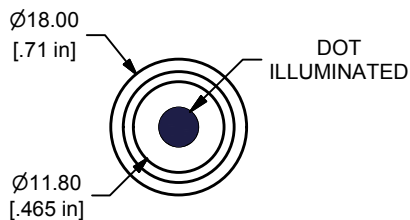
SCHEMATIC

LONG BODY

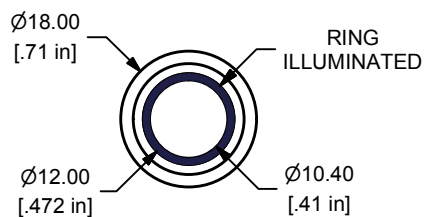


PV3 SERIES ANTI-VANDAL SWITCH

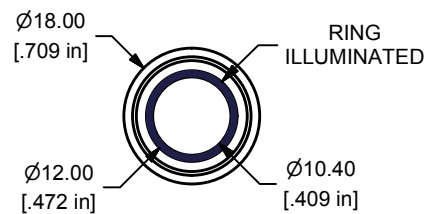
ILLUMINATION OPTIONS



DOT ILLUMINATED

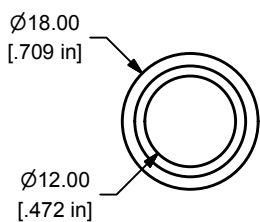


RING ILLUMINATED

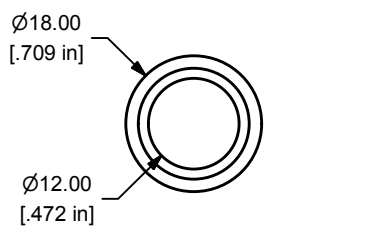


**RING ILLUMINATED
WITH GUARDED CONCAVE ACTUATOR**

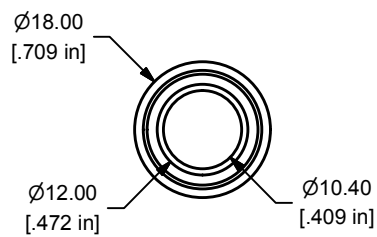
ACTUATOR OPTIONS



FLAT ACTUATOR



HIGH ACTUATOR



GUARDED CONCAVE



Mouser Electronics

Authorized Distributor

Click to View Pricing, Inventory, Delivery & Lifecycle Information:

E-Switch:

[PV3WG2B017G-341](#) [PV3WG2B018G-331](#) [PV3WG2B019G-311](#) [PV3F23011-341](#) [PV3F230SS-331](#) [PV3F230SS-341](#) [PV3F230SS-344](#) [PV3F230SS-3H4](#) [PV3F2B0SSG-244](#) [PV3F2BOBB-344](#) [PV3F2H0SS-331](#) [PV3H2H0NN-331](#) [PV3H2H0NN-341](#) [PV3H2H0NN-351](#) [PV3WF2B011-333](#) [PV3WF2H0SS-341](#) [PV3WG2H0NN-311](#) [PV3F230NN](#) [PV3F230NN-211](#) [PV3F230SS](#) [PV3F230SS-243](#) [PV3F230SS-343](#) [PV3F2B0BB-343](#) [PV3F2B0NN](#) [PV3F2B0SS](#) [PV3F2B0SS-343](#) [PV3F2G0NN](#) [PV3F2G0NN-214](#) [PV3F2G0NN-234](#) [PV3F2G0NN-244](#) [PV3F2G0NN-314](#) [PV3F2G0NN-334](#) [PV3F2G0NN-344](#) [PV3F2H0NN](#) [PV3F2H0NN-214](#) [PV3F2H0NN-234](#) [PV3F2H0NN-244](#) [PV3F2H0NN-314](#) [PV3F2H0NN-334](#) [PV3F2H0NN-344](#) [PV3F2H0SS](#) [PV3F2H0SS-315](#) [PV3F2H0SS-335](#) [PV3F2H0SS-355](#) [PV3H2B0NN](#) [PV3H2B0NN-344](#) [PV3H2B0SS](#) [PV3H2B0SS-346](#) [PV3H2H0NN](#) [PV3H2H0NN-214](#) [PV3H2H0NN-234](#) [PV3H2H0NN-244](#) [PV3H2H0NN-311](#) [PV3H2H0NN-314](#) [PV3H2H0NN-334](#) [PV3H2H0NN-344](#) [PV3H2H0SS](#) [PV3WF2B0SS-3N4](#) [PV3WH2B0SS-341](#) [PV3F2B011-333](#) [PV3F2B011G-304](#) [PV3F2B011-323](#) [PV3F2B011-343](#) [PV3F2G0NN-346](#) [PV3F2B0SS-341](#) [PV3SWF2H011G](#) [PV3F2B0SS-311](#) [PV3SWH2B011](#) [PV3WF2H0SS-315](#) [PV3F2B0SS-301](#) [PV3F2B0BB](#) [PV3WG2B012G](#) [PV3F2H0SS-341](#) [PV3F2B0BB-235](#) [PV3F2B011-324](#) [PV3H2B011-214](#) [PV3SZ01Z1230SS](#) [PV3H2B0NNG](#) [PV3WH2H0BB-345](#) [PV3F2B011-344](#) [PV3F2B011-314](#) [PV3F2B0BB-215](#) [PV3SZ01Z1330SS](#) [PV3WH2B0SS-345](#) [PV3WF2H0SS-345](#) [PV3SZ01Z1130SS](#) [PV3H2B0NN-341](#) [PV3H2B0NN-305](#) [PV3H2B0NN-351](#) [PV3F2B0BB-241](#)