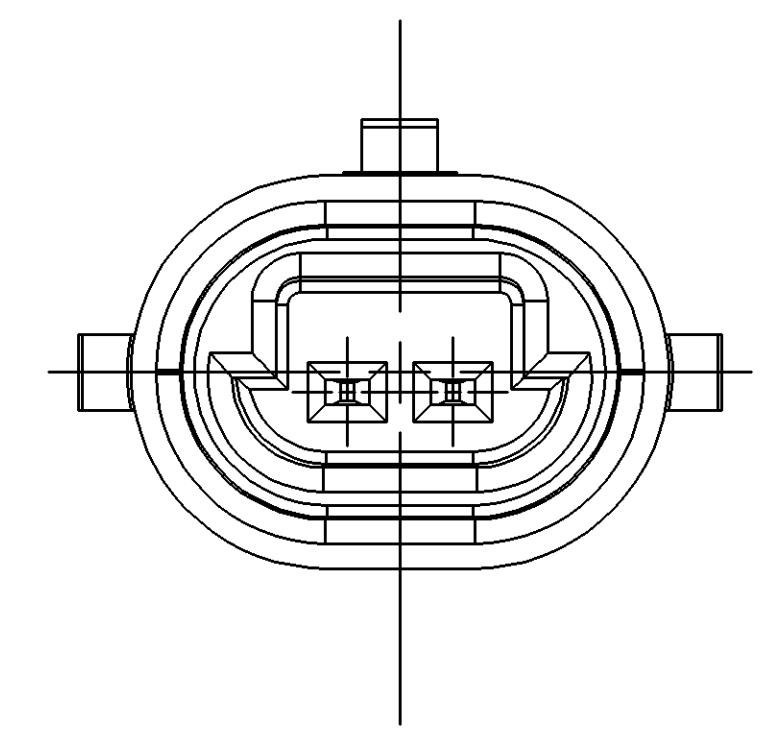
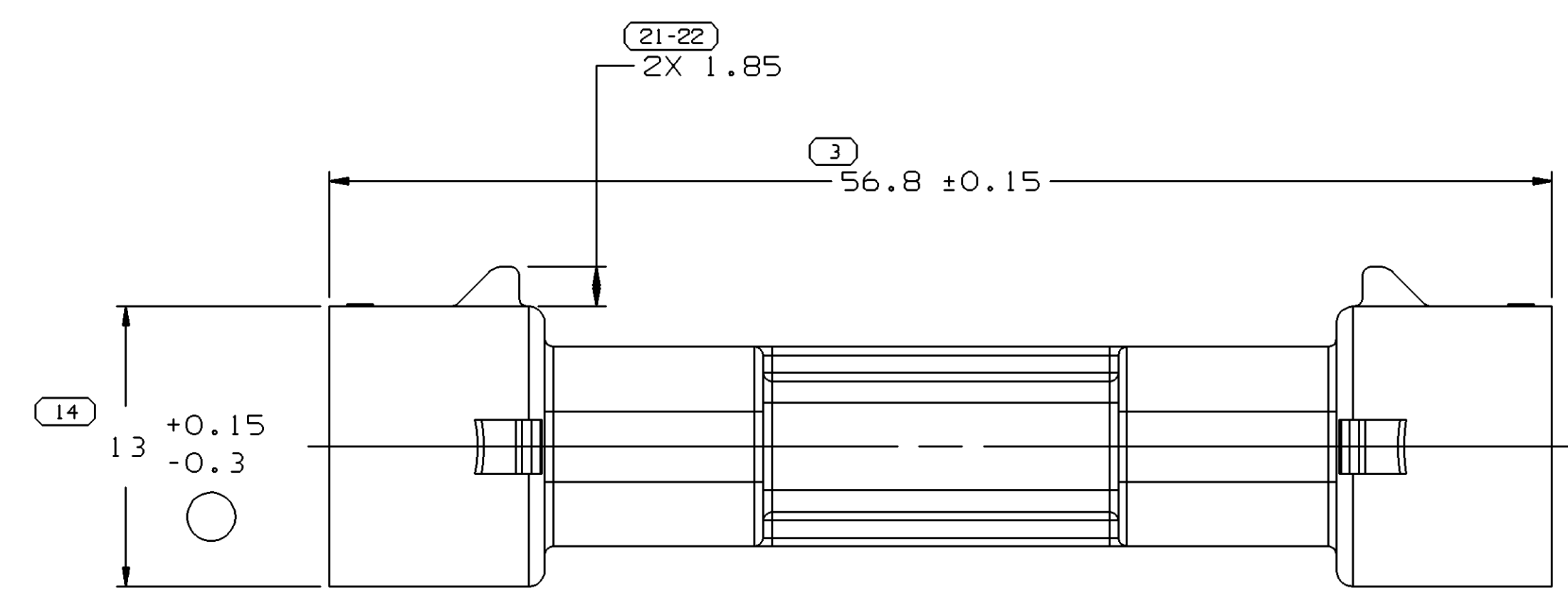
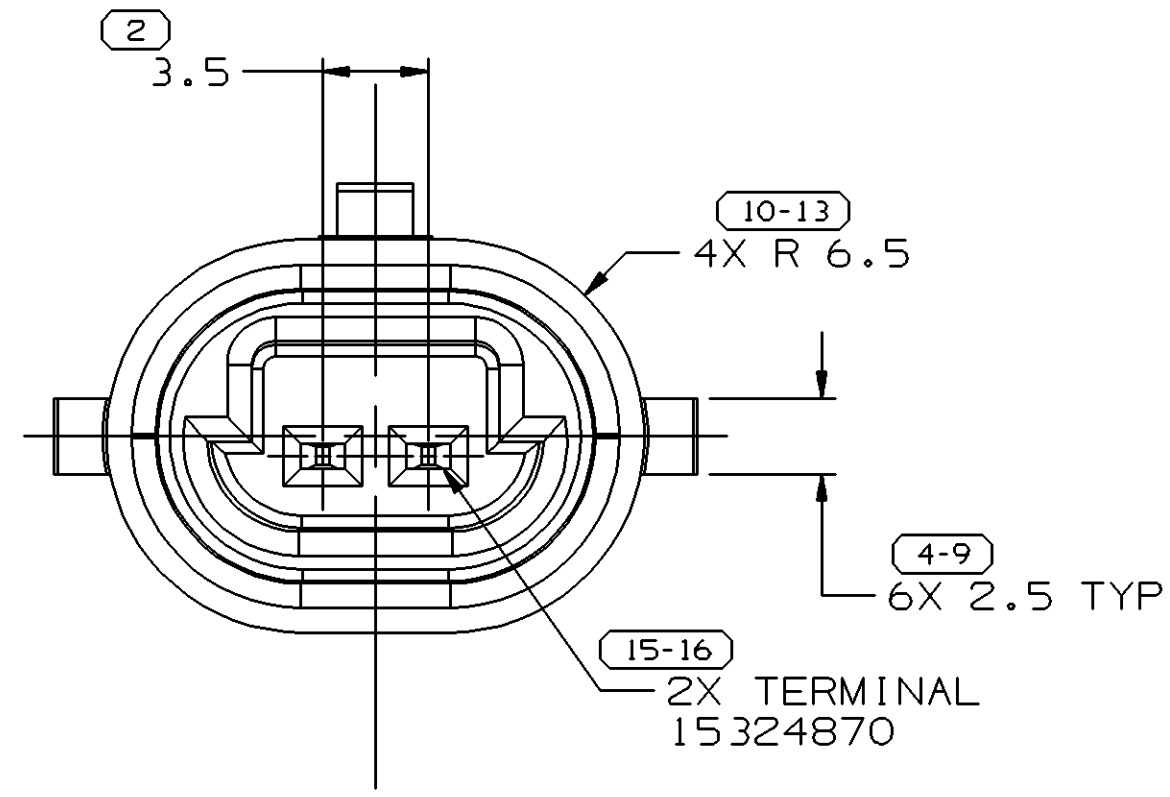
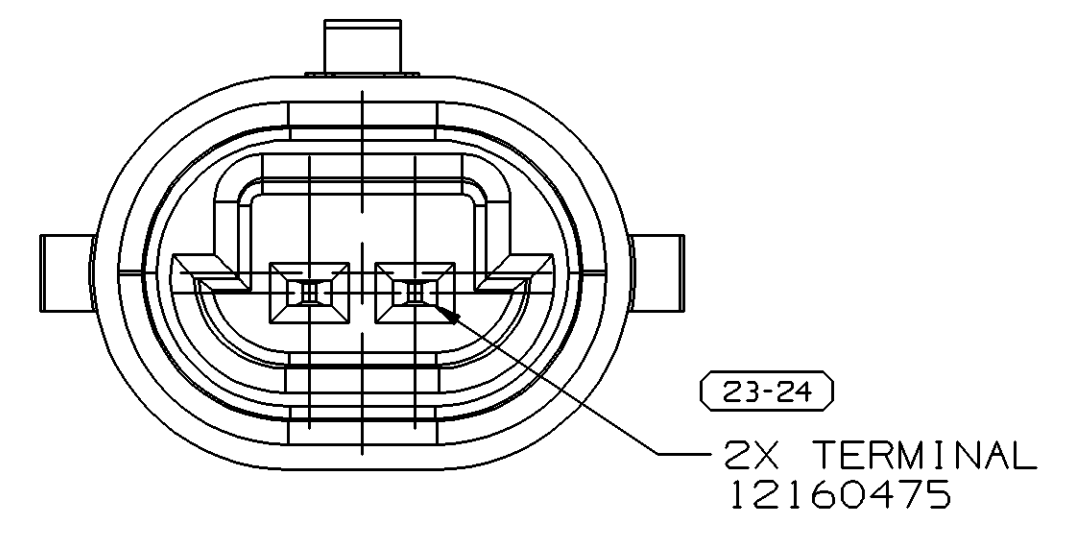
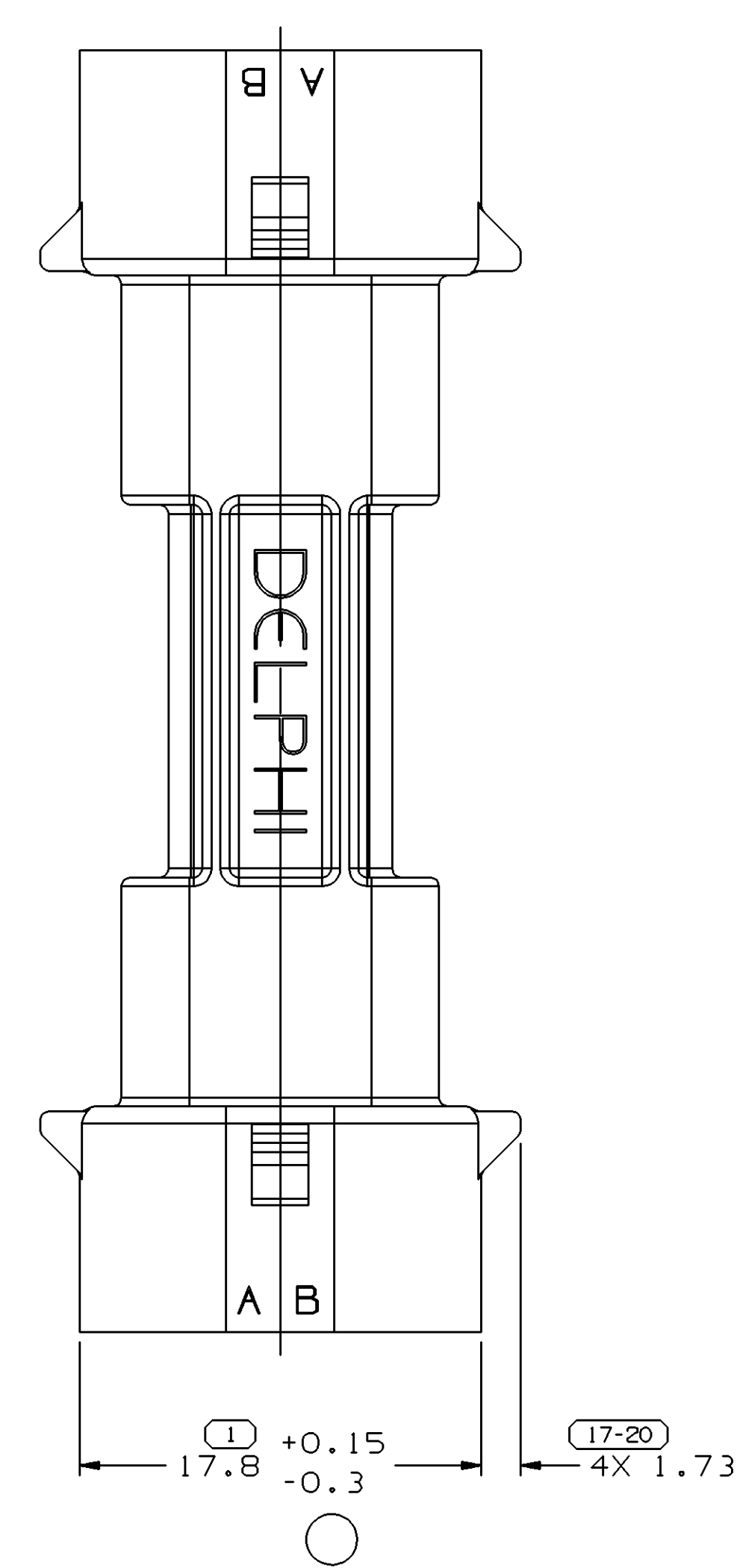
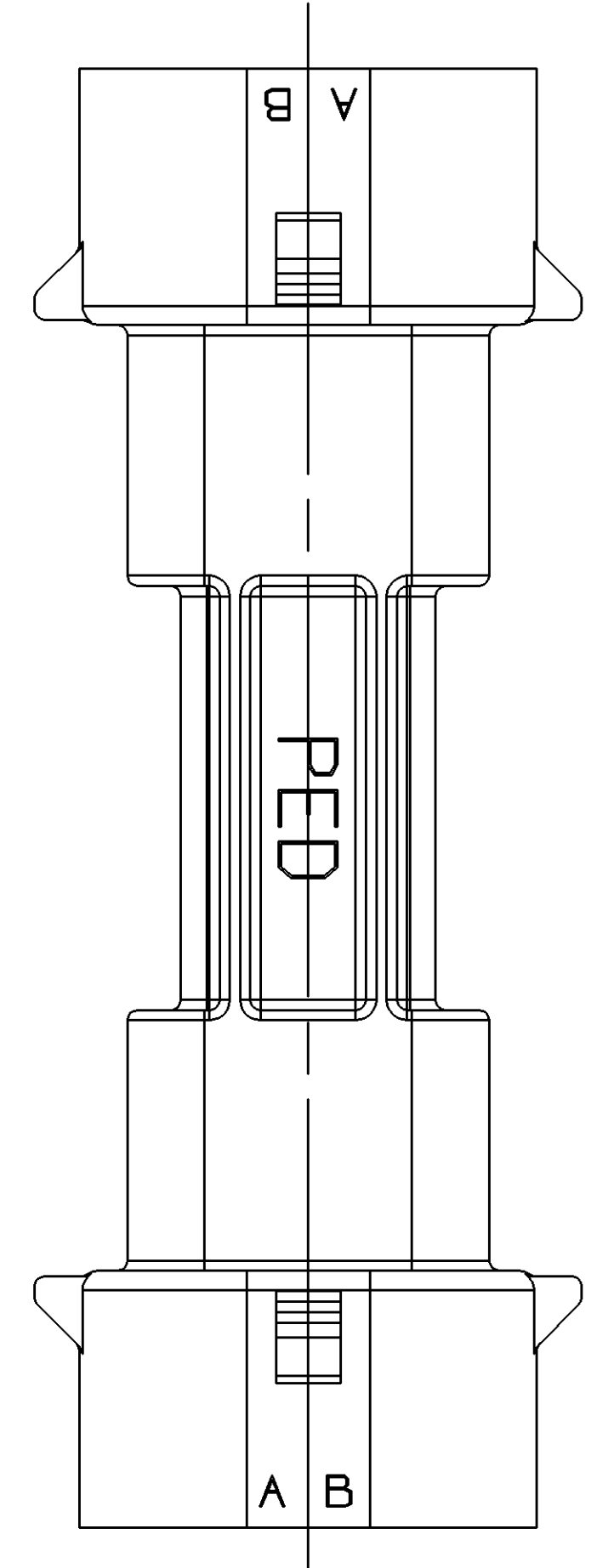
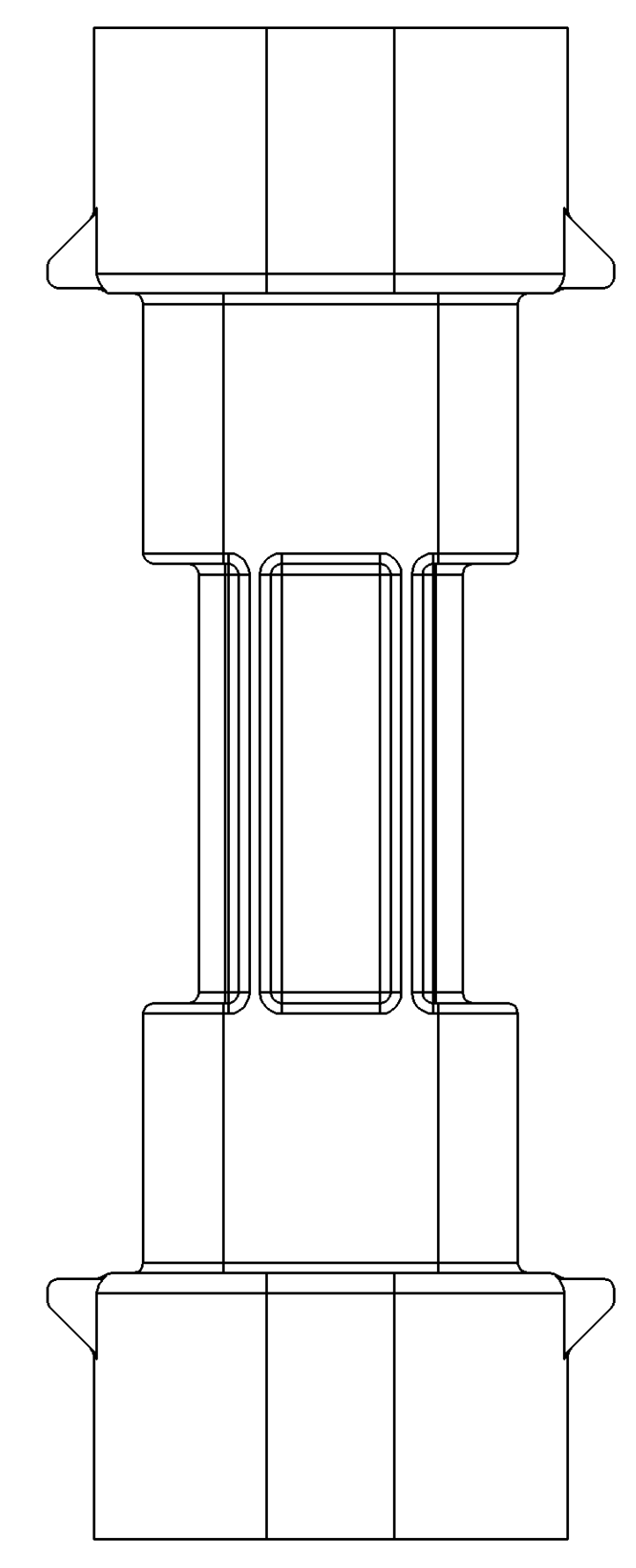


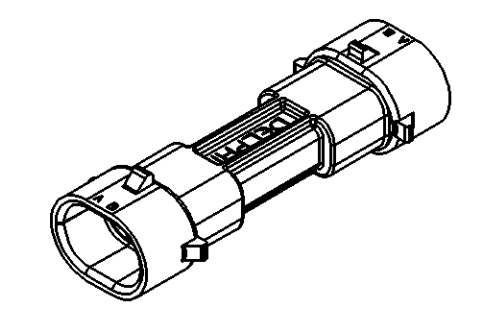
SYMBOL DEFINITION		MISSING NUMBERS		DWO STATUS				REVISION HISTORY				AUTH	DR	APVD	APVD		
THE NUMBER INSIDE THE SYMBOL CORRESPONDS TO THE NUMBER ON THE INSPECTION REPORT FOR THIS DRAWING/PART NUMBER	TOTAL NO. OF SYMBOLS ON DRAWING			DATE	STG	REV	N/P	CHK	ZONE								
	10			120004	R	B5	-	-									
	24																



OPTIONAL CONSTRUCTION



- NOTES
- UNLESS OTHERWISE SPECIFIED AND/OR INDICATED: DIMENSIONS ARE TO FACE OF VIEW SHOWN AND AUTOMATICALLY ROUNDED BY COMPUTER FOR INSPECTION (SEE MATH MODEL FOR PRECISE DIMENSIONS). FOR ALL OTHER DIMENSIONS NOT SHOWN BUT REQUIRED FOR TOOL BUILD, SEE MATH MODEL FOR PRECISE TOOL PATH DATA.
 - MATING COMPONENTS OR EQUIVALENT: CONNECTOR 12162194 (2 REQ'D)
 - MATERIAL RECYCLING CODE PER ISO 11469. (2.3)X(0.1) CHARACTERS AS SHOWN TO BE LOCATED ON ANY EXTERIOR SURFACE.
 - (2.3)X(0.1) DELPHI CORPORATE BRAND TO BE LOCATED ON ANY EXTERIOR SURFACE, PREFERABLY VISIBLE AT FINAL ASSEMBLY. OPTIONAL CONSTRUCTION TO BE "PED".



DWO TYPE		PART DRAWING	
STYLE		DISTR CODE	D
VOLUME (COP)	4,493		
UNLESS OTHERWISE SPECIFIED			
THIS DOCUMENT IS IN ACCORDANCE WITH ASME Y14.5M-1994 AS AMENDED BY THE 2003 DIMENSIONING AND TOLERANCING ADDENDUM (2003). SEPARATE PATTERNING OF FEATURES MAY BE OBTAINED SEPARATELY. REWORK OF DATUM REFERENCES.			
ALL DIMENSIONS ARE IN MILLIMETERS			
DIMENSIONAL RANGE (MM)		CHART	
FROM	0 > 20 > 30 > 70 > 100	E	
TO	20 30 70 100		
TOLERANCE UNLESS OTHERWISE SPECIFIED			
±0.15 ±0.2 ±0.3 ±0.4 ±0.5			
ANGULAR TOLERANCE 12°			
THIRD ANGLE PROJECTION	DO NOT SCALE	USE MATH DATA	

DELPHI
DELPHI PACKARD ELECTRIC SYSTEMS
WARREN, OH

DR	DATE
APVD1 D. ELLWOOD	24MY94
APVD2 D. ELLWOOD	24MY94
APVD3 T. RASCHILLA	27MY94
APVD4	
APVD5	

SUBSTANCES OF CONCERN AND RECYCLED CONTENT PER DELPHI 10949001

MATERIAL: M2389002 PA612 GF33 BLK

DRAWING NAME
CONN 2 M M/P 150 BLK COUPLING

DRAWING NUMBER
12160435

SIZE: AO SCALE: 4:1 FRAME NO: 1 OF 1 SHEET NO: 1 OF 1 REV: B5

Mouser Electronics

Authorized Distributor

Click to View Pricing, Inventory, Delivery & Lifecycle Information:

[Aptiv:](#)

[12160435](#)