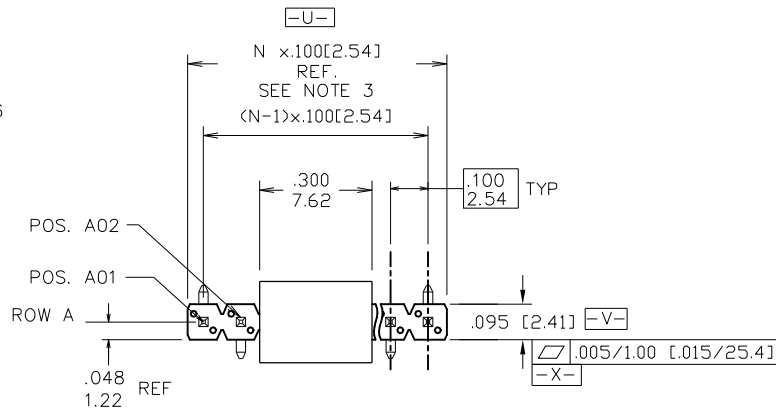


PRODUCT NUMBER
54201 - X XX - XX - XXX

PLATING
S=15μ"/0.38μm GOLD ON CONTACT AREA (NOTE 13) 100u"/2.54μm TIN ON TAIL
G=30μ"/0.76μm GOLD ON CONTACT AREA (NOTE 13) 100u"/2.54μm TIN ON TAIL
T=100μ"/2.54μm TIN ON CONTACT AREA & ON TAIL (SEE NOTE 8 & 12)
F=2μ"/0.05μm] GOLD ON CONTACT AREA & ON TAIL

POLARIZATION, SEE NOTE 6
PACKAGING TYPE, NOTE 5
POSITIONS PER ROW 02 TO 17

LEAD STYLE	POST LGTH.
08	0.230/5.84
30	0.318/8.08

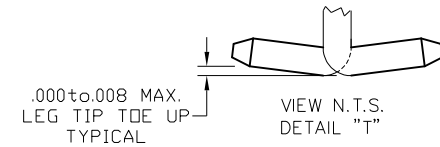
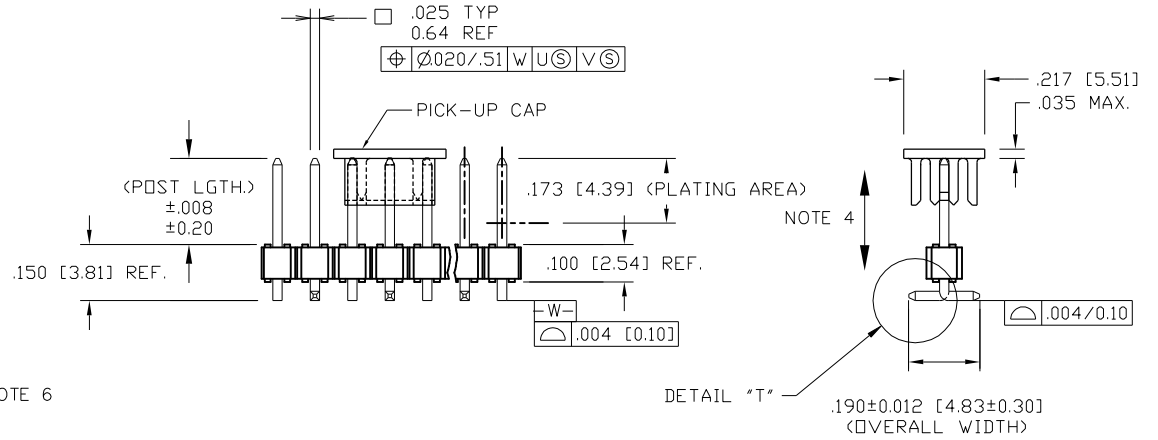


LEAD FREE PRODUCT NUMBER
54201 - X XX XX - XXX LF

PLATING
S=15μ"/0.38μm GOLD ON CONTACT AREA (NOTE 13) 100u"/2.54μm TIN ON TAIL
G=30μ"/0.76μm GOLD ON CONTACT AREA (NOTE 13) 100u"/2.54μm TIN ON TAIL
T=100μ"/2.54μm TIN ON CONTACT AREA & ON TAIL (SEE NOTE 8 & 12)
F=2μ"/0.05μm] GOLD ON CONTACT AREA & ON TAIL

LEAD FREE NOTE 9 & 10
POLARIZATION, SEE NOTE 6
PACKAGING TYPE, NOTE 5
POSITIONS PER ROW 02 TO 17

LEAD STYLE	POST LGTH.
08	0.230/5.84
30	0.318/8.08



Amphenol FCI

© 2016 AFCI

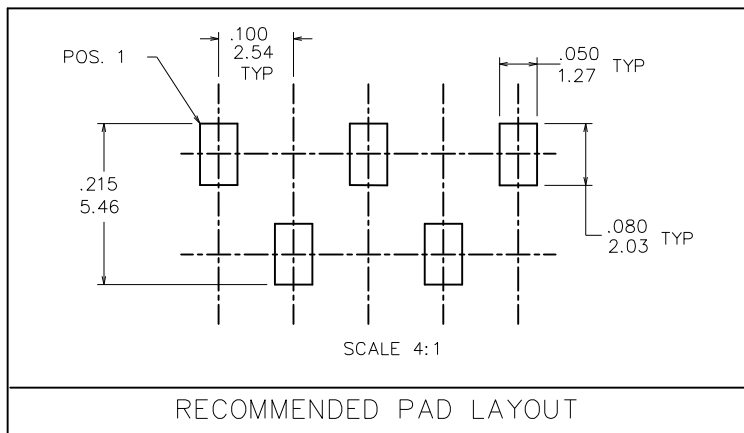
mat'l. code		surface ISO 1302 ✓		tolerance ISO 406 ISO 1101		projection INCH/MM		product family BERGSTIK	
ltr	ecn no	dr	date	tolerances unless otherwise specified				title	
R	M08-0279	MHT	9/30/08	angles	linear	xxx±01/xxx±03	.100 UNSHROUDED HDR.		
S	ELX-N-14294	DCS	2013-03-19			xxx±.005/xxx±0.13	S/R VERT. SURF. MNT.		
T	ELX-N-26942	MZ	2017-05-09	0°±2°		xxxx±.0020/xxx±0.05	scale 1:1		
		dr	D.INGRAM	05/11/99			dwg no		sheet 1 of 3
		enr	H.SUNDY	07/21/99			54201		size A3
		chr	H.SUNDY	07/21/99			type Product Customer Drawing		
		appd	H.SUNDY	07/21/99					
sheet	revision	T	T	T					
index	sheet	1	1	1					

TAPE AND REEL PACKAGING

SIZE	LEAD STYLE 08 POST (0.230 [5.84])	LEAD STYLE 30 POST (0.318 [8.08])
1X2	YES	NONE
1X3	↑	↑
1X4		
1X5		
1X6		
1X7		
1X8		
1X9		
1X10		
1X11		
1X12		
1X13		
1X14		
1X15		
1X16	↓	
1X17	YES	
1X18	NONE	
1X19	NONE	↓
1X20	NONE	NONE

NOTES:

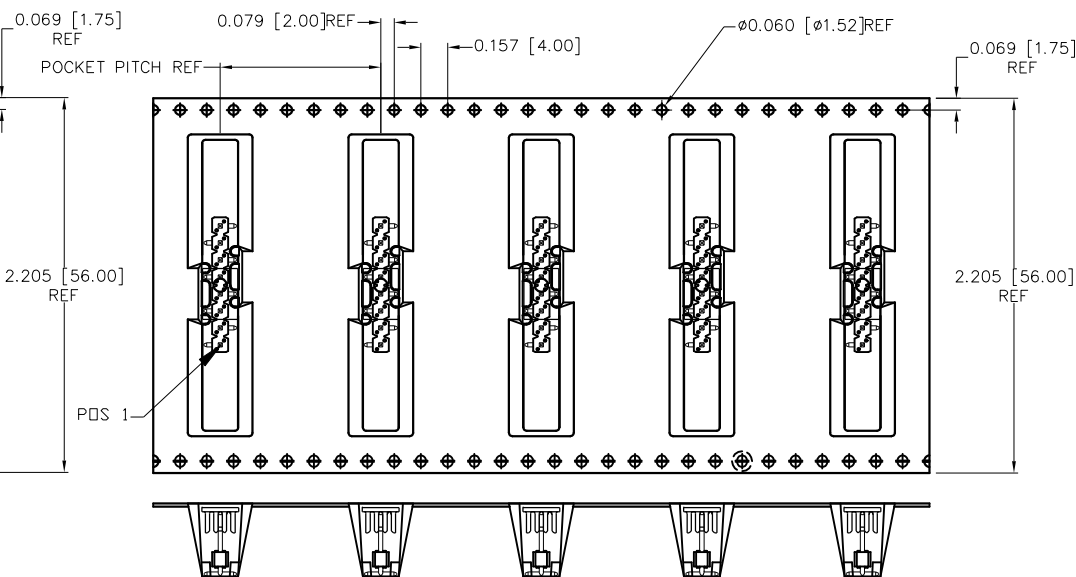
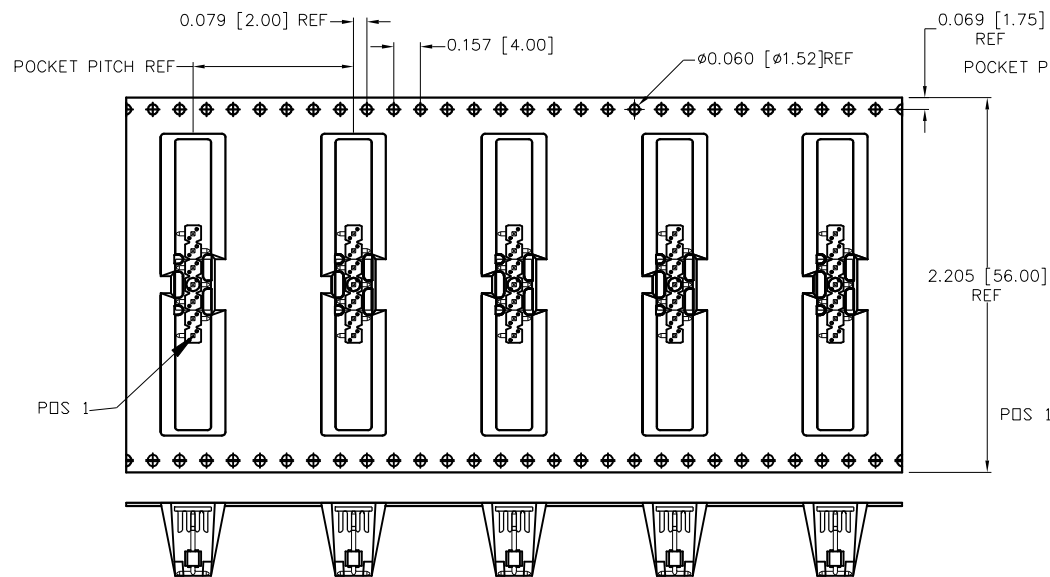
- HOUSING MAT'L: HIGH TEMPERATURE THERMOPLASTIC. UL94V-0
COLOR: BLACK
OR
MINERAL FILLED LCP FLAME RETARDENT
PER UL-94V-0. COLOR: BLACK.
- PIN MATERIAL: PHOSPHOR-BRONZE
- TO DETERMINE DIMENSIONS:
N = NUMBER OF POSITIONS PER ROW.
EXAMPLE: 10 POS., N x .100/2.54=1.00/25.4
- 2LBS/0.9KG MIN. PIN RETENTION IN EITHER DIRECTION.
- PACKAGING: - = POLY BAGS
P = TUBES WITH PICKUP CAPS.
A = TAPE AND REEL WITH PICKUP CAPS.
S = TAPE AND REEL WITH PICKUP CAPS (24MM WIDTH CARRIE TAPE).
- FOR POLARIZATION, SPECIFY POSITION NUMBER (i.e. A03=ROW A POS. 3)
TO OMIT PIN. IF THIS FEATURE IS NOT APPLICABLE, OMIT FROM PROD. NO..
PRODUCT MANAGEMENT APPROVAL IS REQUIRED PRIOR TO THE
RELEASE OR SALE OF POLARIZED PRODUCTS.
- UNDERPLATING: 50µ"/1.27µm Ni.
- PIN TIPS ON Sn PLATED PRODUCT MAY HAVE BARE METAL ON TOW SIDES,
BOTH ENDS.
- PART NUMBERS WITH "LF" AT THE END ARE LEAD FREE.
- THIS PRODUCT MEETS EUROPEAN UNION DIRECTIVES AND OTHER
COUNTRY REGULATION AS DESCRIBED IN GS-22-008.
- THE HOUSING WILL WITHSTAND EXPOSURE TO 260°C PEAK TEMPERATURE
FOR 20 SECONDS IN A CONVECTION, INFRA-RED OR VAPOR PHASE REFLOW
OVEN. SEE APPLICATION NOTES/PROCEDURES IF THEY ARE AVAILABLE.
- "THIS PRODUCT HAS 100% PURE TIN PLATING IN THE INTERFACE AND
HAS NOT BEEN TESTED FOR WHISKER GROWTH IN ALL INTERCONNECT
ENVIRONMENTS."
- PLATING OPTIONS:
MAY BE EITHER GOLD OR GXT PLATED AT MANUFACTURER'S OPTION.



mat'l. code		surface ISO 1302 ✓	tolerance ISO 406 ISO 1101	projection 	product family BERGSTIK
ltr	ecn no	dr	date	tolerances unless otherwise specified	title
T				angles linear xxx±.01/xxx±0.3 xxx±.005/xxx±0.13 0°±2° xxxx±.0020/xxx±0.05	.100 UNSHROUDED HDR. S/R VERT. SURF. MNT.
				dr D.INGRAM 05/11/99 enr H.SUNDY 07/21/99 chr H.SUNDY 07/21/99 appd H.SUNDY 07/21/99	scale 1:1 Amphenol FCI
sheet index	revision sheet				dwg no 54201 sheet 2 of 3 size A3 type Product Customer Drawing

CARRIER FOR ODD NUMBERS OF ROWS

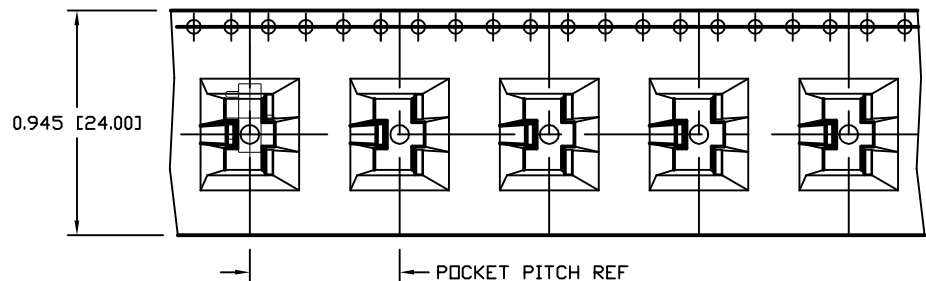
CARRIER FOR EVEN NUMBERS OF ROWS



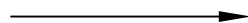
UN-REELING DIRECTION OF FEED



UN-REELING DIRECTION OF FEED



UN-REELING DIRECTION OF FEED



54201-****SLF
SPECIAL REQUEST OF CARRIER TAPE

mat'l. code		surface ISO 1302	tolerance ISO 406 ISO 1101	projection 	product family BERGSTIK
ltr	ecn no	dr	date	tolerances unless otherwise specified	title
T				.xxx±01/.xxx±03 .xxx±005/.xxx±013 .xxx±0020/.xxx±005	.100 UNSHROUDED HDR. S/R VERT. SURF. MNT.
				angles linear 0°±2°	INCH/MM scale 1:1
		dr	D.INGRAM	05/11/99	
		enr	H.SUNDY	07/21/99	
		chr	H.SUNDY	07/21/99	
		appd	H.SUNDY	07/21/99	
sheet index	revision sheet				dwg no 54201 sheet 3 of 3 size A3 type Product Customer Drawing

Mouser Electronics

Authorized Distributor

Click to View Pricing, Inventory, Delivery & Lifecycle Information:

[FCI / Amphenol:](#)

[54201-S08-04](#) [54201-G08-02A](#) [54201-G0802LF](#) [54201-G08-02P](#) [54201-G0803PHLF](#) [54201-G0804LF](#) [54201-G08-06A](#) [54201-G08-08P](#) [54201-G0809LF](#) [54201-G0810LF](#) [54201-S0802LF](#) [54201-S0804LF](#) [54201-S08-05](#) [54201-S0806ALF](#) [54201-S08-17](#) [54201-S3007LF](#) [54201-T0803ALF](#) [54201-T08-04](#) [54201-T0804LF](#) [54201-T08-05-A01](#) [54201-T0805ALF](#) [54201-T0805LF](#) [54201-T08-06](#) [54201-T0806ALF](#) [54201-T0808LF](#) [54201-T0809LF](#) [54201-T0814ALF](#) [54201-T08-16](#) [54201-T3013LF](#) [54201-G3006LF](#) [54201-S0803ALF](#) [54201-G0803LF](#) [54201-G0804ALF](#) [54201-S0804ALF](#) [54201-G08-03](#) [54201-T08-03](#) [54201-G0805LF](#) [54201-G0807LF](#) [54201-G08-12P](#) [54201-G0815LF](#) [54201-G0817LF](#) [54201-G3004LF](#) [54201-S0803LF](#) [54201-S0806LF](#) [54201-S0807LF](#) [54201-S0809LF](#) [54201-S0814LF](#) [54201-T0815LF](#) [54201-T3006LF](#) [54201-T3017LF](#) [54201-G08-03A](#) [54201-G0803ALF](#) [54201-S0803PLF](#) [54201-G0808PA05LF](#) [54201-T0806LF](#) [54201-T0807ALF](#) [54201-G0807ALF](#) [54201-S08-03](#) [54201-S3007ALF](#) [54201-G0808LF](#) [54201-G08-08PA05](#) [54201-T0803LF](#) [54201-G0806LF](#) [54201-T0804ALF](#) [54201-G3002LF](#) [54201-G0802PLF](#) [54201-G3003LF](#) [54201-G0811LF](#) [54201-S08-14](#) [54201-G3008LF](#) [54201-G0805PLF](#) [54201-S3003LF](#) [54201-G0802ALF](#) [54201-S0808LF](#) [54201-S0811LF](#) [54201-S0810ALF](#) [54201-G08-14](#) [54201-T3005LF](#) [54201-S30-13](#) [54201-G0805ALF](#) [54201-S0802ALF](#) [54201-S3006LF](#) [54201-S08-05ALF](#) [54201-T0802LF](#) [54201-S0805LF](#) [54201-S3008AA05LF](#) [54201-T0810ALF](#) [54201-S0815LF](#) [54201-S0807ALF](#) [54201-S0804AA02LF](#) [54201-T3014LF](#) [54201-T3015LF](#) [54201-G0806ALF](#)