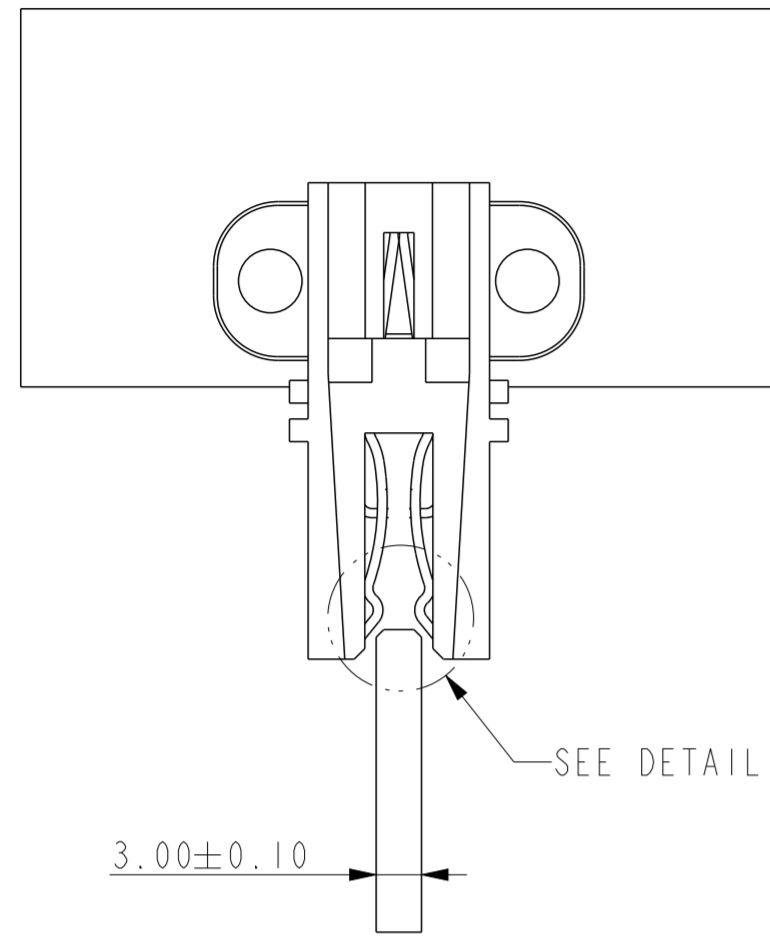
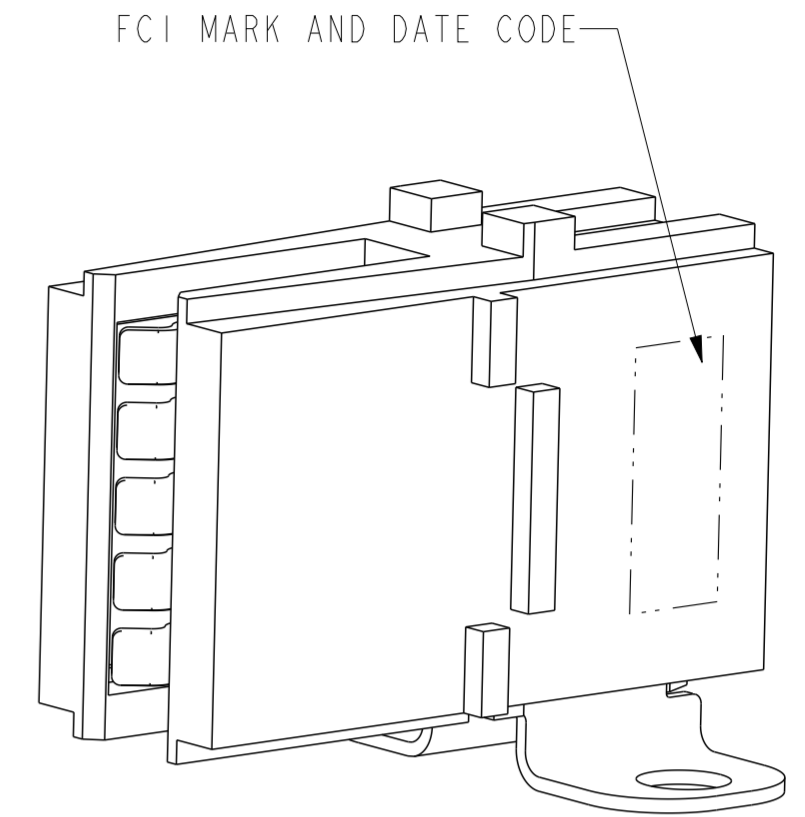
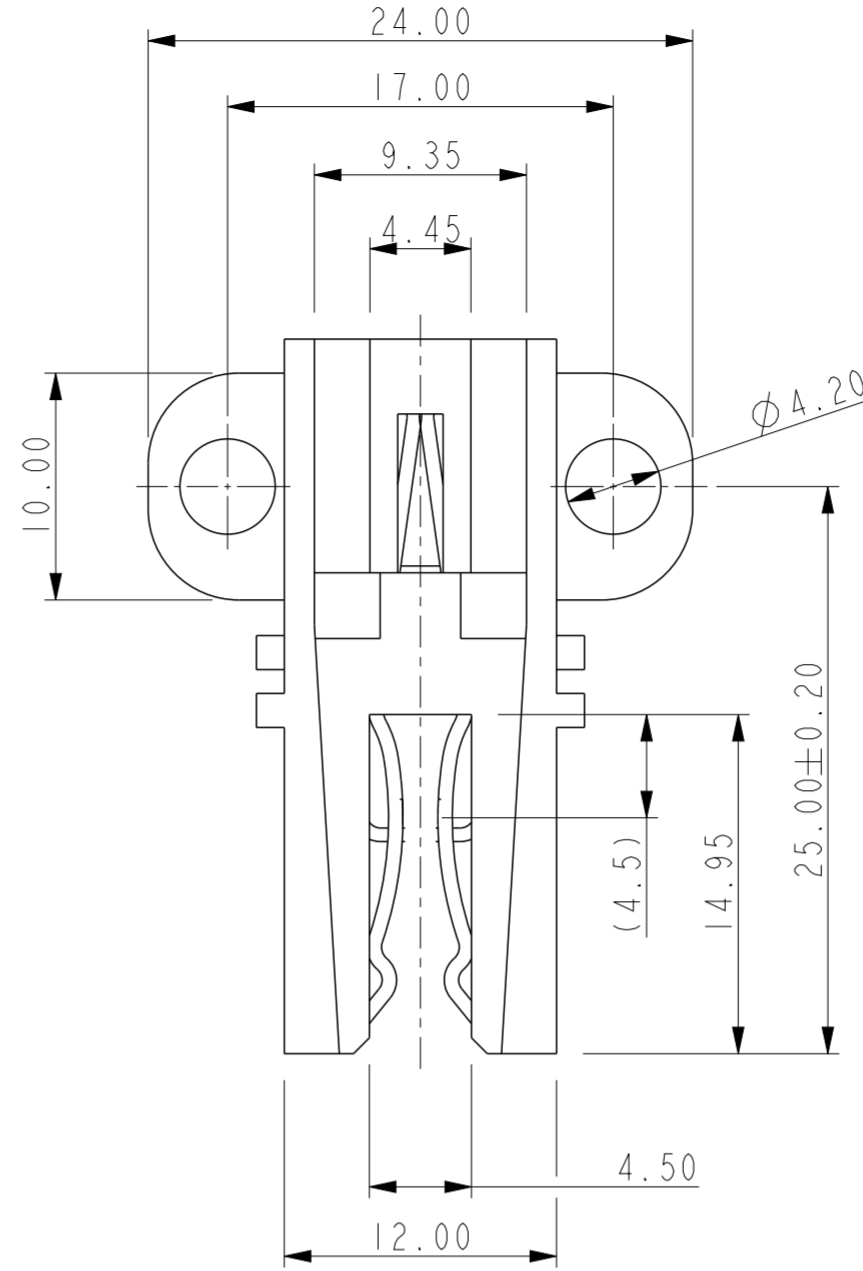
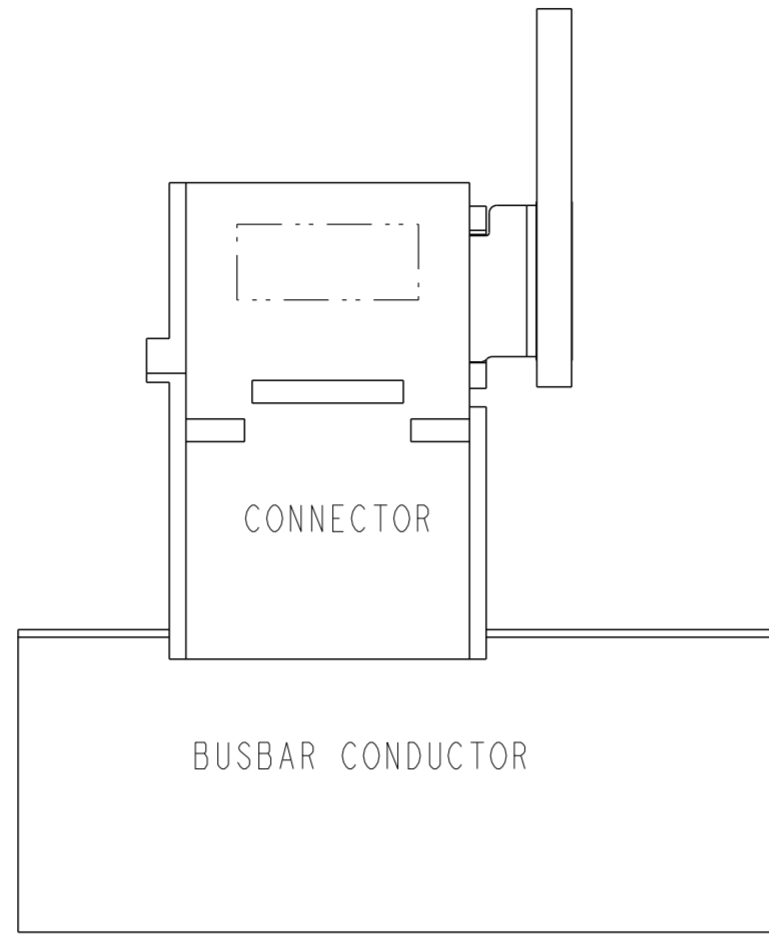


PRODUCT NUMBER	DESCRIPTION (PLATING)
10125595-S01LF	CONTACT AREA: AGT PLATING-3.0um SILVER OVER 1.27um NICKEL

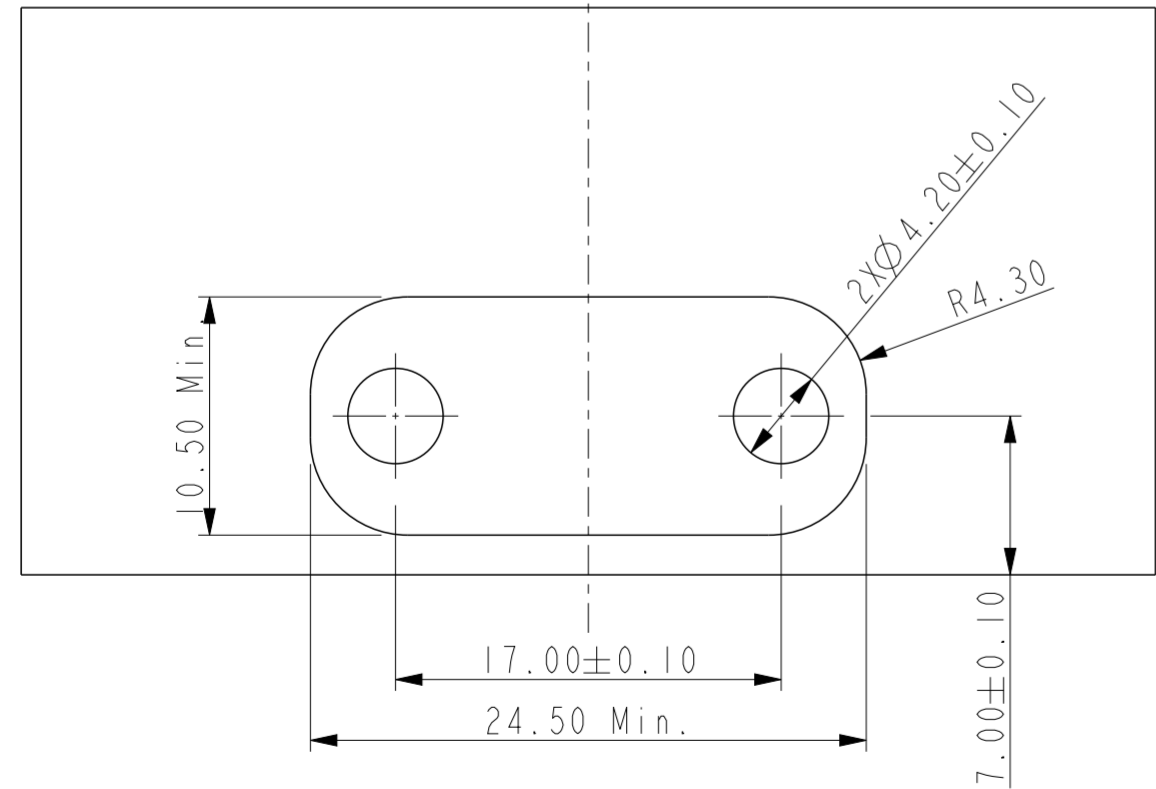


SEE DETAIL A



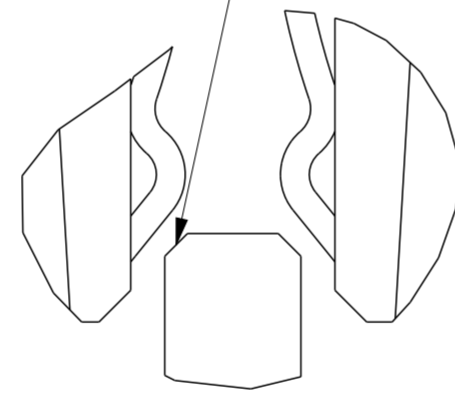
FCI MARK AND DATE CODE

PCB AND BUSBAR-CONDUCTOR
IN THESE VIEWS ARE SHOWN FOR REFERENCE ONLY.

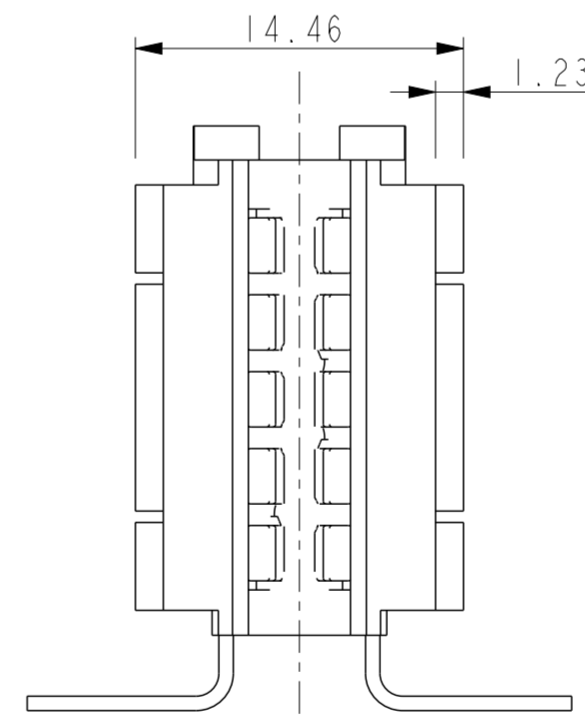


RECOMMENDED PCB LAYOUT
THICKNESS 15-2.0mm

0.5mm Min. RADIUS OR CHAMFERED
EDGE ON BUSBAR CONDUCTOR
RECOMMENDED

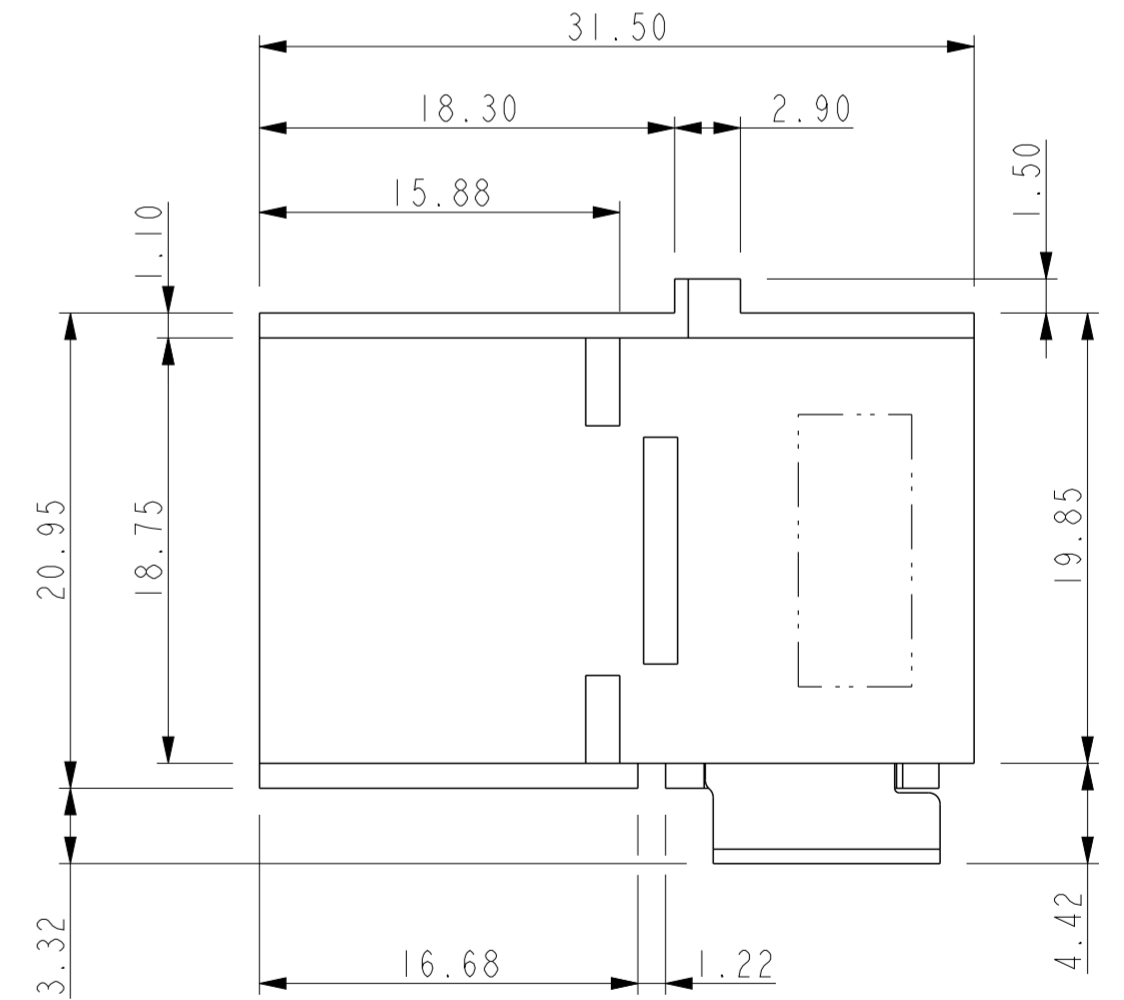


DETAIL A (6:1)



NOTES:

- CONNECTOR HOUSING:
HIGH TEMPERATURE THERMOPLASTIC GLASS FILLED, UL 94V-0
TERMINALS: COPPER ALLOY
- FINISHES:
SEE PRODUCT NUMBER
- PRODUCT SPECIFICATION: GS-12-1179
APPLICATION SPECIFICATION: GS-20-0396
PACKING SPECIFICATION: GS-14-2376
- RECOMMEND INSIDE HEXANOAL HEAD SCREW M4.0



spec ref	-	dr	Zhao Peter	2013/06/18	projection	MM	size	A2	scale	3:1		
tolerance std	ISO 406 ISO 1101	eng	Jacklin Zou	2017/06/09			ecn no	ELX-DG-27194-1	rel level	Released		
surface	linear	0.X ±0.30 0.XX ±0.25 0.XXX ±0.10	apppr	Pei-Ming Zheng							2017/06/28	product family
	angular	0° ±2°	Amphenol FCi	www.fci.com	Title		Screwed Mount Barklip R/A CONNECTOR		cat. no.	-	Product - Customer Drw	sheet 1 of 1

Mouser Electronics

Authorized Distributor

Click to View Pricing, Inventory, Delivery & Lifecycle Information:

[FCI / Amphenol:](#)

[10125595-S01LF](#)