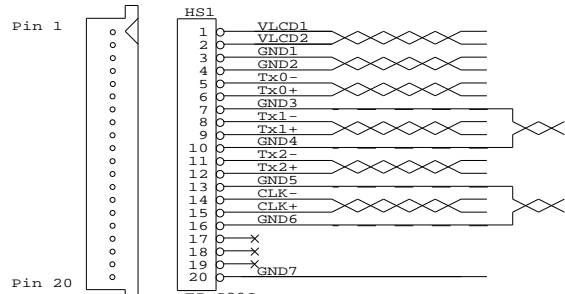
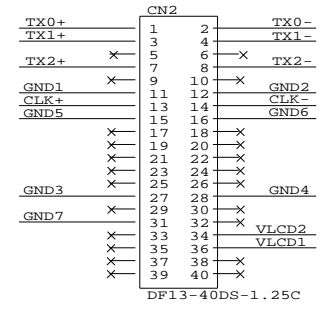


TOLERANCE :
 +1.0mm
 -1.0mm



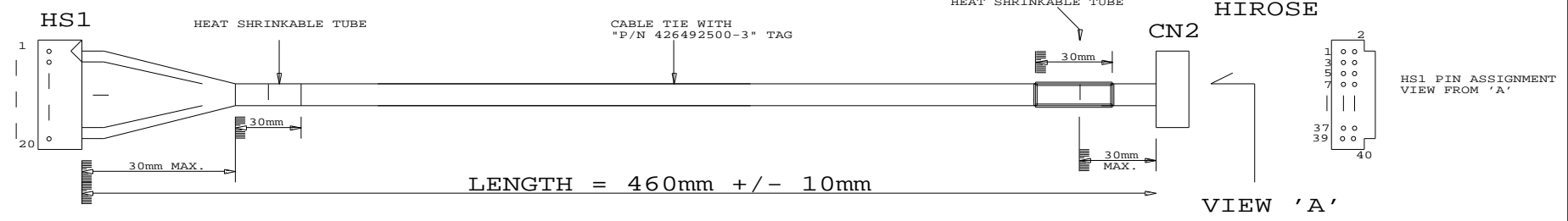
FI-S20S
 (OR FI-SE20M)
 JAE
PANEL SIDE



DF13-40DS-1.25C

JAE
 FI-S20S

DF-40DS-1.25C
 HIROSE



CABLE: UL 20276, 9 PAIRS, 30AWG, L=460mm
 JACKET: PVC COLOR BLACK

P/N 426492500-3
 LVDS PANEL CABLE 460mm

DIGITAL VIEW LTD. COPYRIGHT 2006, ALL RIGHTS RESERVED CONFIDENTIAL		
Title LVDS CABLE,460mm		
Size	Document Number	REV
B	(...\DV\DV_CABLE\C6492500.SCH)	00
Date:	May 2, 2006	Sheet 1 of 1

Mouser Electronics

Authorized Distributor

Click to View Pricing, Inventory, Delivery & Lifecycle Information:

[Digital View:](#)

[426492500-3](#)