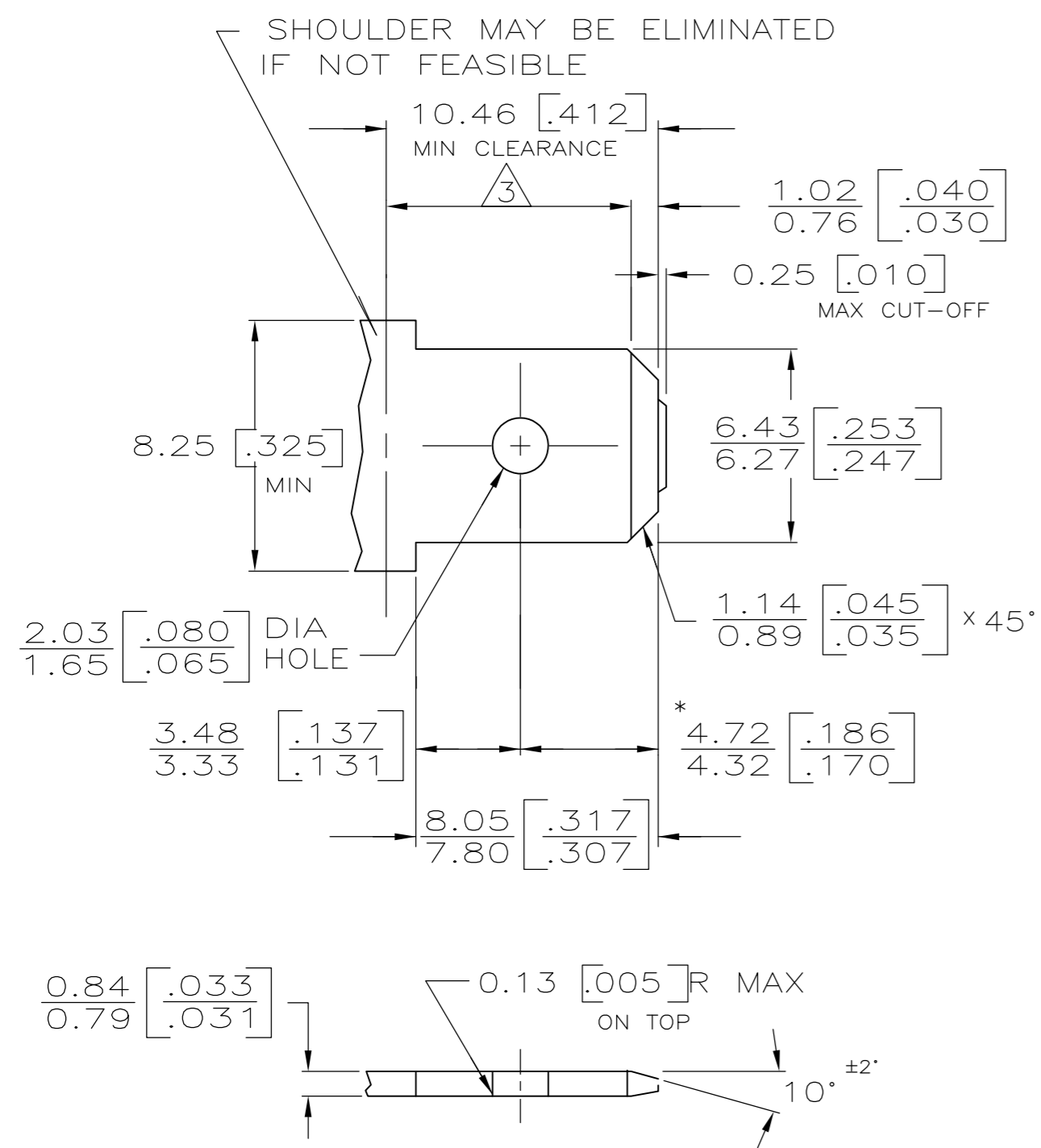


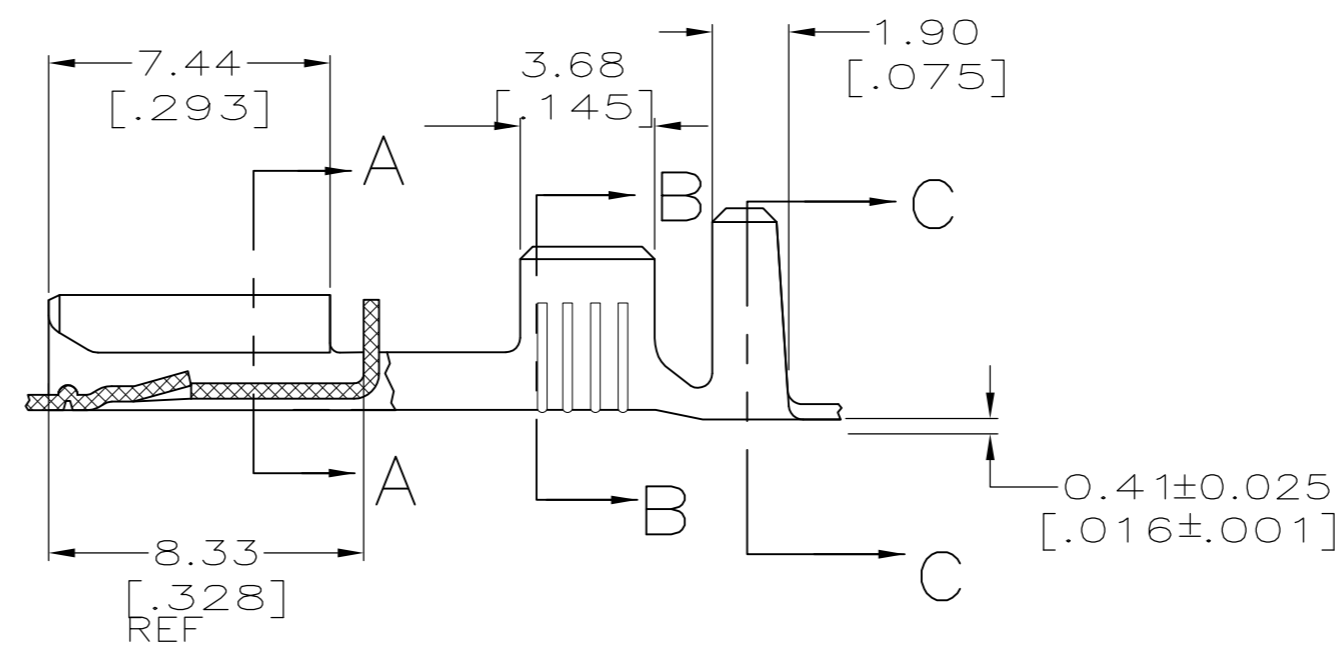
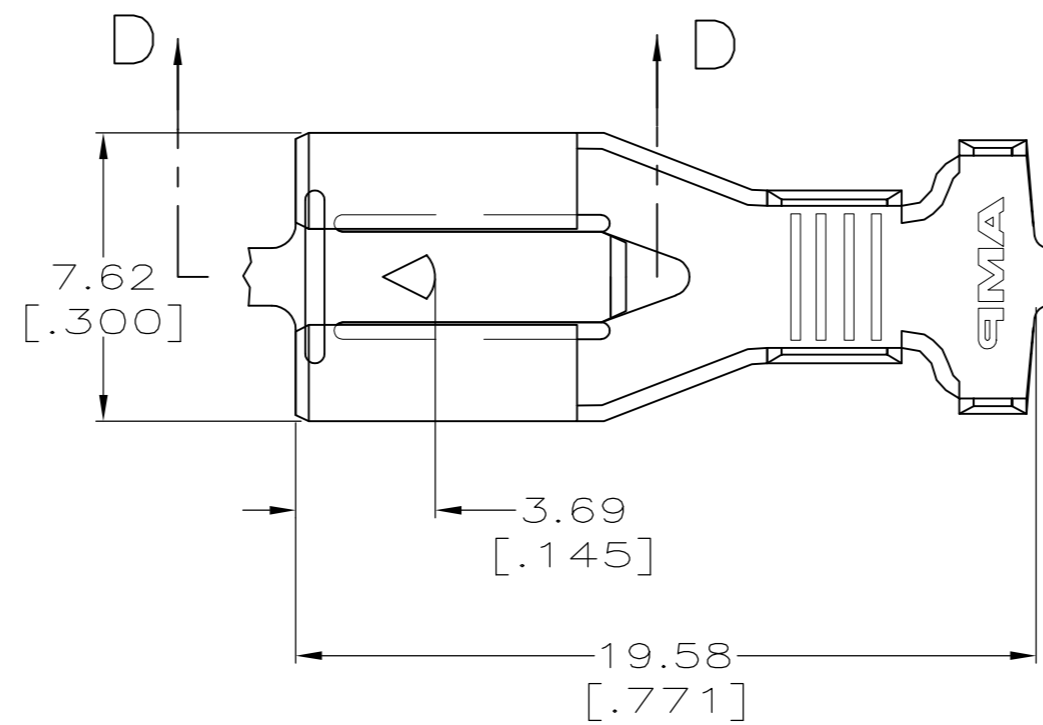
THIS DRAWING IS UNPUBLISHED. RELEASED FOR PUBLICATION  
 © COPYRIGHT - By - ALL RIGHTS RESERVED.

LOC		DIST		REVISIONS			
P	LTR	DESCRIPTION	DATE	DWN	APVD		
AF	50	C	REVIS PER ECR-12-013486	09JAN13	KH	KR	

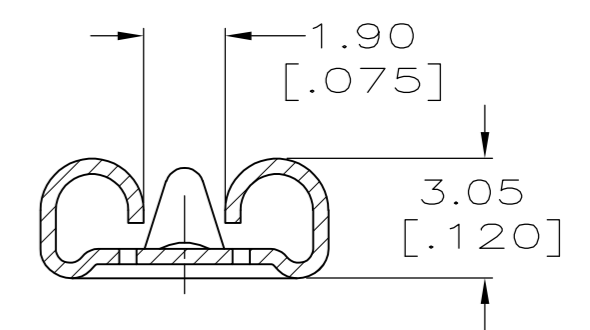
# SUGGESTED MATING TAB



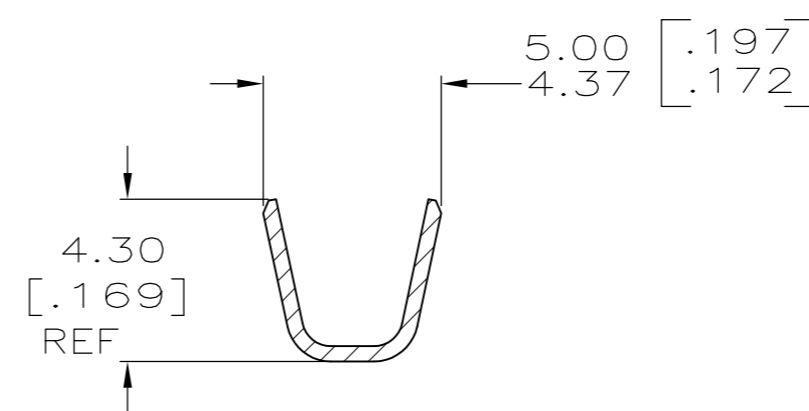
- MATL: 1/2H BRASS OR NICKEL PL STEEL.
- NO BURRS PERMISSIBLE AT HOLE.  
MUST BE FLAT WITHIN 0.076 [.003] OVER THIS LENGTH.
- TIN PLATING IS REQUIRED ON BRASS WHEN TERMINAL TEMP. IS OVER 225° F
- HOLE MUST BE SYMMETRICAL ABOUT TAB Q WITHIN 0.076 [.003]
- \* TO BE USED ONLY WHEN SHOULDER IS ELIMINATED.



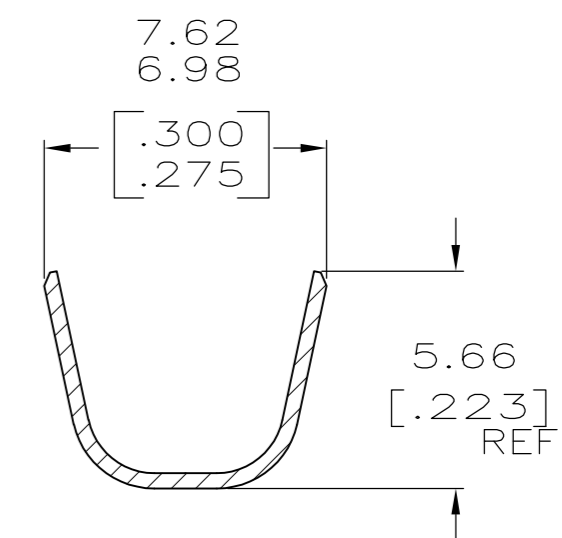
SECTION D-D



SECTION A-A



SECTION B-B



SECTION C-C

TIN PLATE	1217092-2
-	1217092-1
FINISH	PART NO.

THIS DRAWING IS A CONTROLLED DOCUMENT.		DWN	JR RUTH	6/3/98	 TE Connectivity							
DIMENSIONS: mm [INCHES]		CHK	MS FEHER	6/3/98								
TOLERANCES UNLESS OTHERWISE SPECIFIED:		APVD	D BRATINA	6/3/98								
0 PLC ± - 1 PLC ± - 2 PLC ± 0.25 [.010] 3 PLC ± - 4 PLC ± - ANGLES ± -		PRODUCT SPEC	RECEPTACLE, POSITIVE LOCK, 6.35 [.250] SERIES									
MATERIAL	BRASS	FINISH	SEE TABLE	114-2061	SIZE	A2	CAGE CODE	00779	DRAWING NO	C=1217092	RESTRICTED TO	-
CUSTOMER DRAWING		WEIGHT	-	SCALE	5:1	SHEET	1 OF 1	REV	C			

# Mouser Electronics

Authorized Distributor

Click to View Pricing, Inventory, Delivery & Lifecycle Information:

[TE Connectivity:](#)

[1217092-1](#)