

## INTRODUCTIONS

Two-stage filters are for susceptibility use when equipment impedance at radiation frequency is low.

## COMPONENTS

PART NO.	C1(uF)	C2(uF)	L1(mH)	L2( uH)	Cy(pF)	R(KΩ)
03DVCG5	0.22	0.22	1.0	30	5500	330K
06DVCG5			1.7	70		
10DVCG5			1.2	40		
20DVGG5			1.73	30		

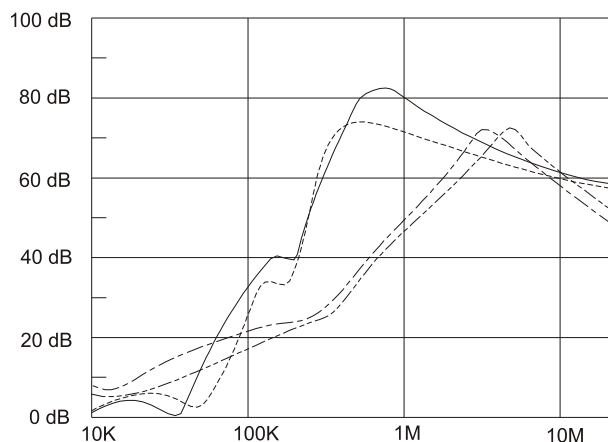
## MINIMUM INSERTION LOSS IN dB

COMMONMODE (L-G) IN 50 OHM SYSTEM							
CURRENT RATING	FREQUENCY-MHz						
	.15	.50	1.0	5.0	10	30	
3A	12	25	35	50	45	40	
6A	23	40	50	55	55	40	
• 10A	10	20	30	50	45	35	
** 20A	20	20	35	45	45	30	
DIFFERENTIALMODE (L-L) IN 50 OHM SYSTEM							
3A	30	50	60	60	70	50	
6A	25	35	50	55	55	50	
• 10A	25	55	60	60	55	55	
** 20A	25	50	50	50	45	45	

• VDE approved in 8A  
 \*\* VDE approved in 16A

## INSERTION LOSS (TYPICAL)

03DVCG5 ----- COMMON MODE ----- DIFF. MODE  
 06DVCG5 ----- COMMON MODE ----- DIFF. MODE



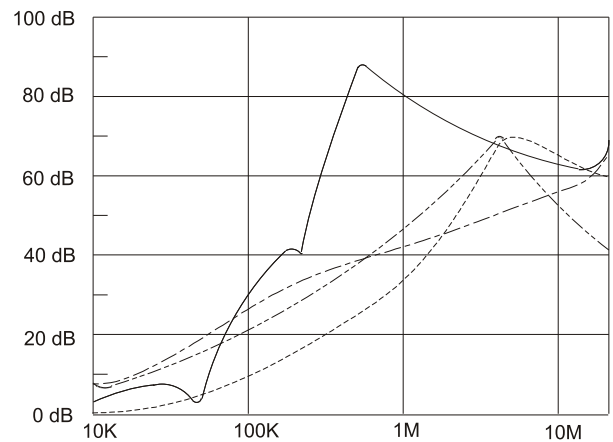
## SPECIFICATIONS

- Maximum leakage current each line-to-ground: @115VAC 60Hz: 0.45mA  
 @250VAC 50Hz: 0.90mA
- Hipot rating (one minute)  
 line-to-ground: 2250VDC  
 line-to-line: 1450VDC
- Operating frequency: 50/60Hz
- Rated voltage: 115/250VAC

## SERIES DIMENSIONS

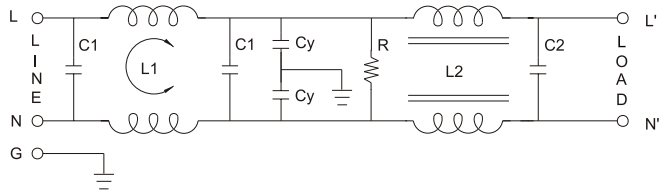
PART NO.	DIMENSIONS IN INCHES/mm				
	A	B	C	D	E
03DVCG5	3.25 82.5	1.90 48.3	1.15 29.2	2.38 60.5	2.77 70.4
06DVCG5	3.75 95.2	2.06 52.3	1.54 39.1	2.94 74.7	3.34 84.8
10DVCG5					
20DVGG5	5.25 130.5	3.40 86.4		3.75 95.3	4.14 105.1

10DVCG5 ----- COMMON MODE ----- DIFF. MODE  
 20DVGG5 ----- COMMON MODE ----- DIFF. MODE

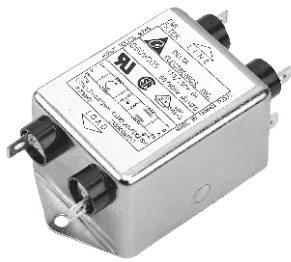


GENERAL PURPOSE TWO-STAGE FILTERS

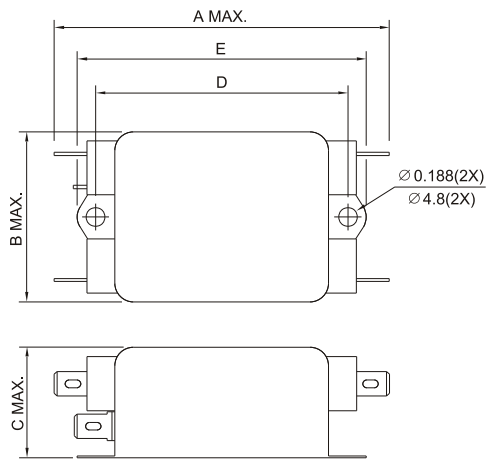
**ELECTRICAL SCHEMATIC**



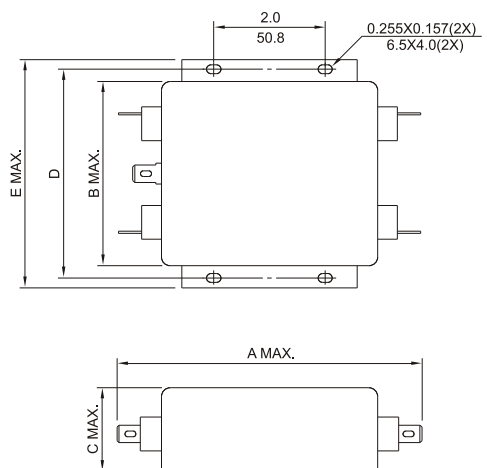
**MECHANICAL CONSTRUCTION**



CG5



GG5



UNIT:  $\frac{\text{INCH}}{\text{mm}}$

# Mouser Electronics

Authorized Distributor

Click to View Pricing, Inventory, Delivery & Lifecycle Information:

[Delta Electronics:](#)

[20DVGG5](#) [03DVCG5](#) [10DVCG5](#) [06DVCG5](#)