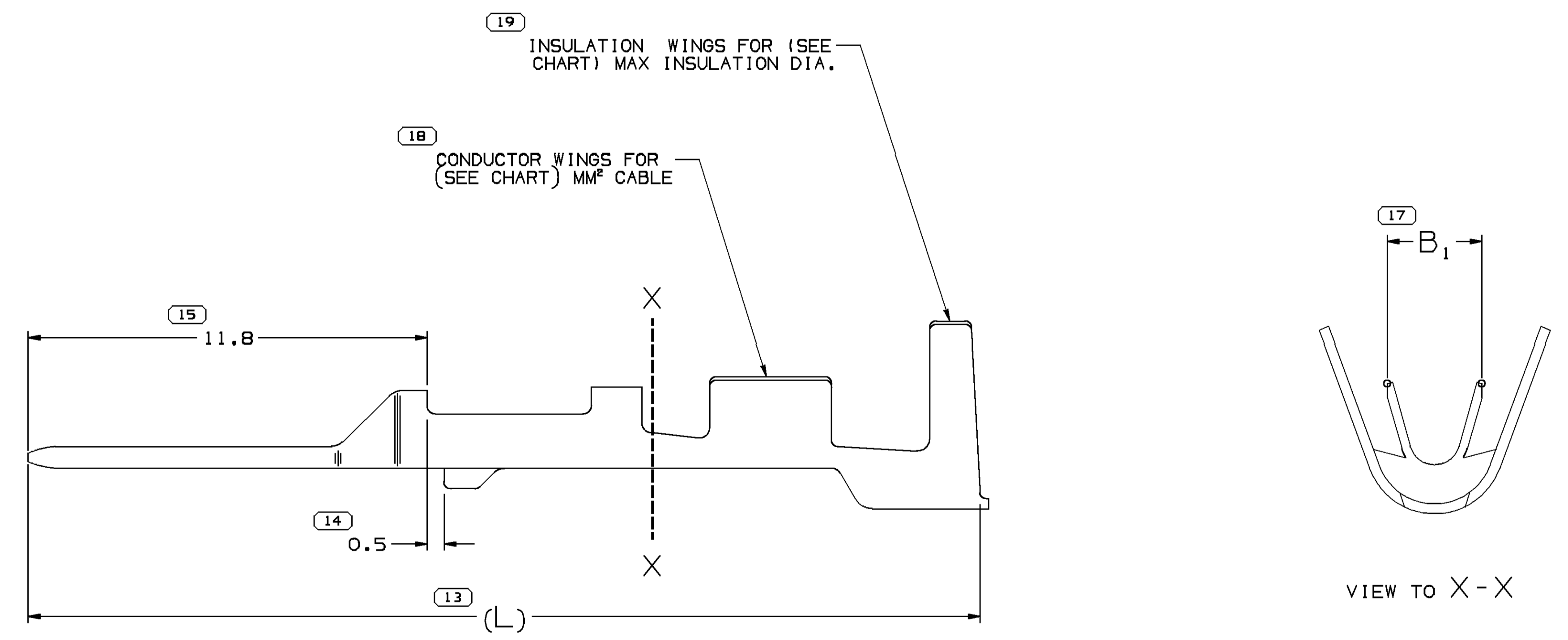
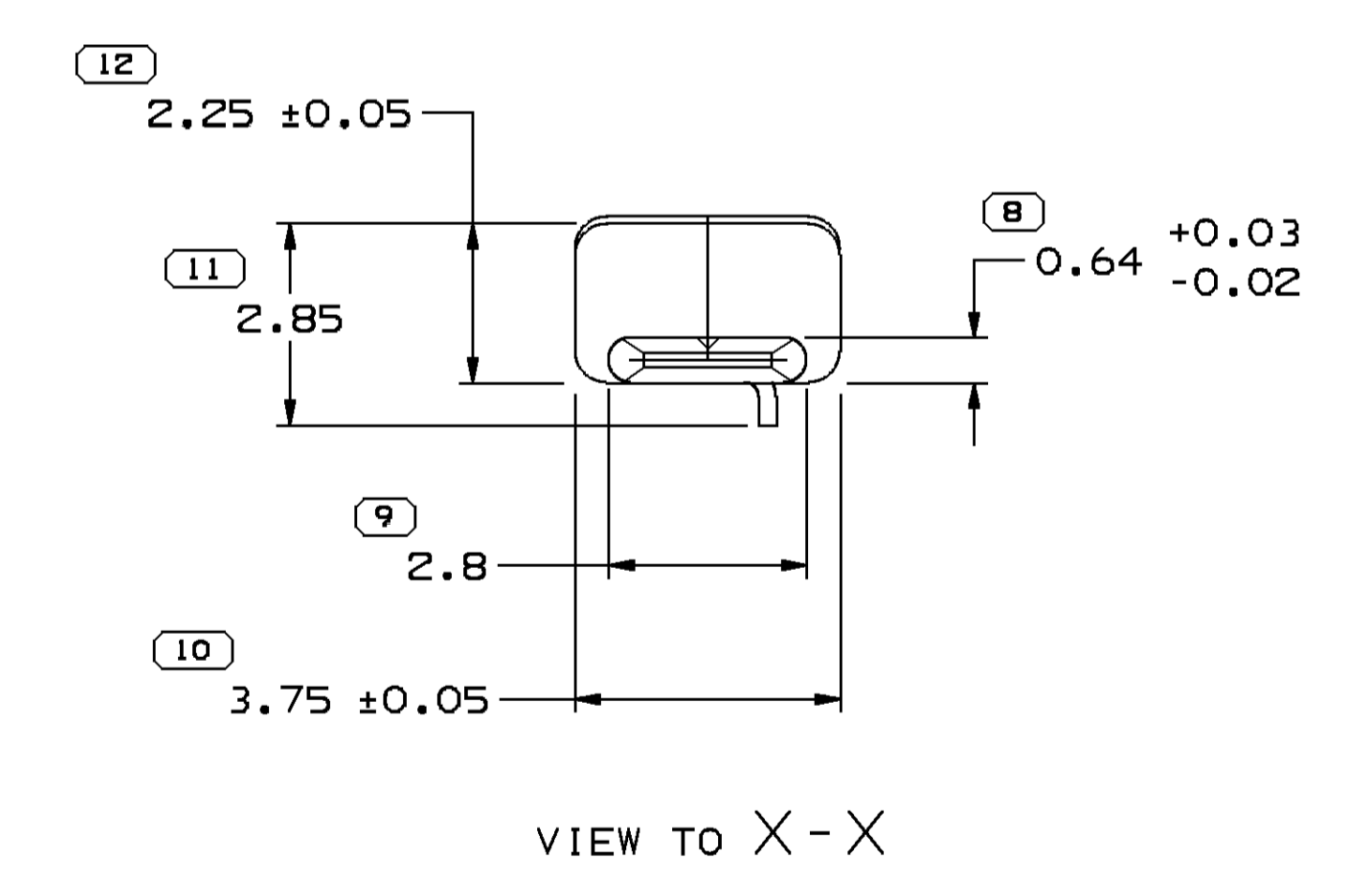
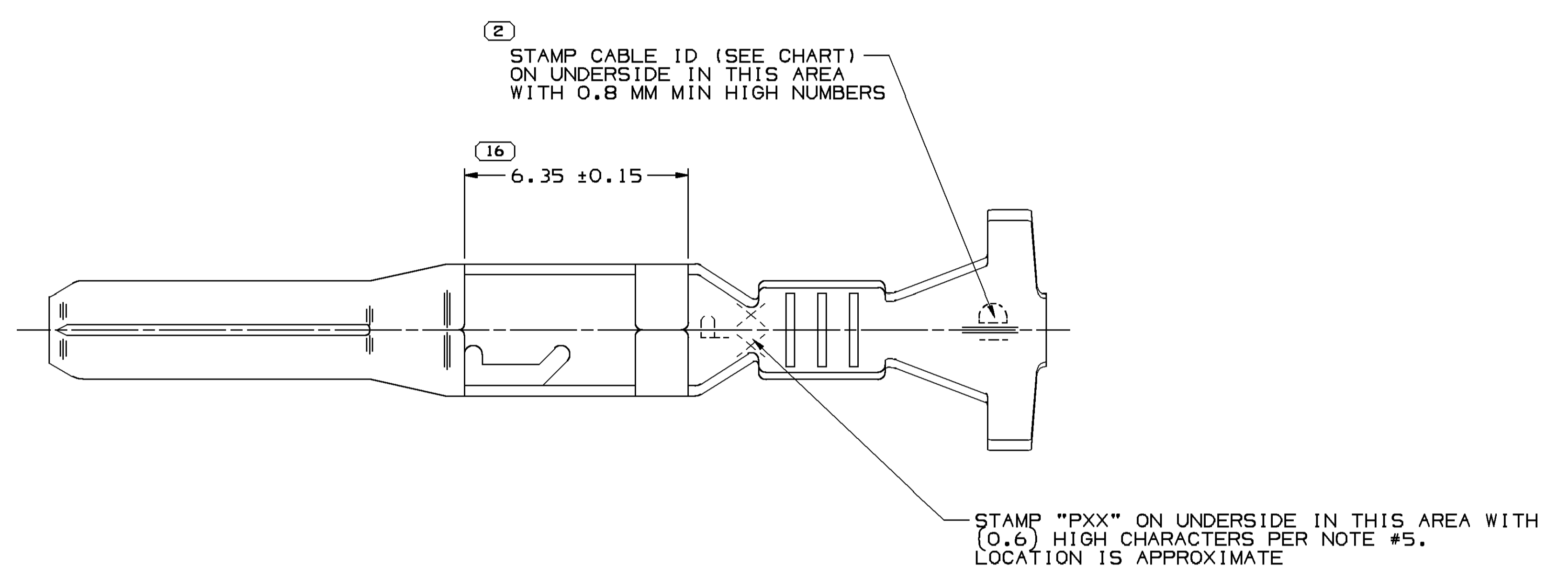
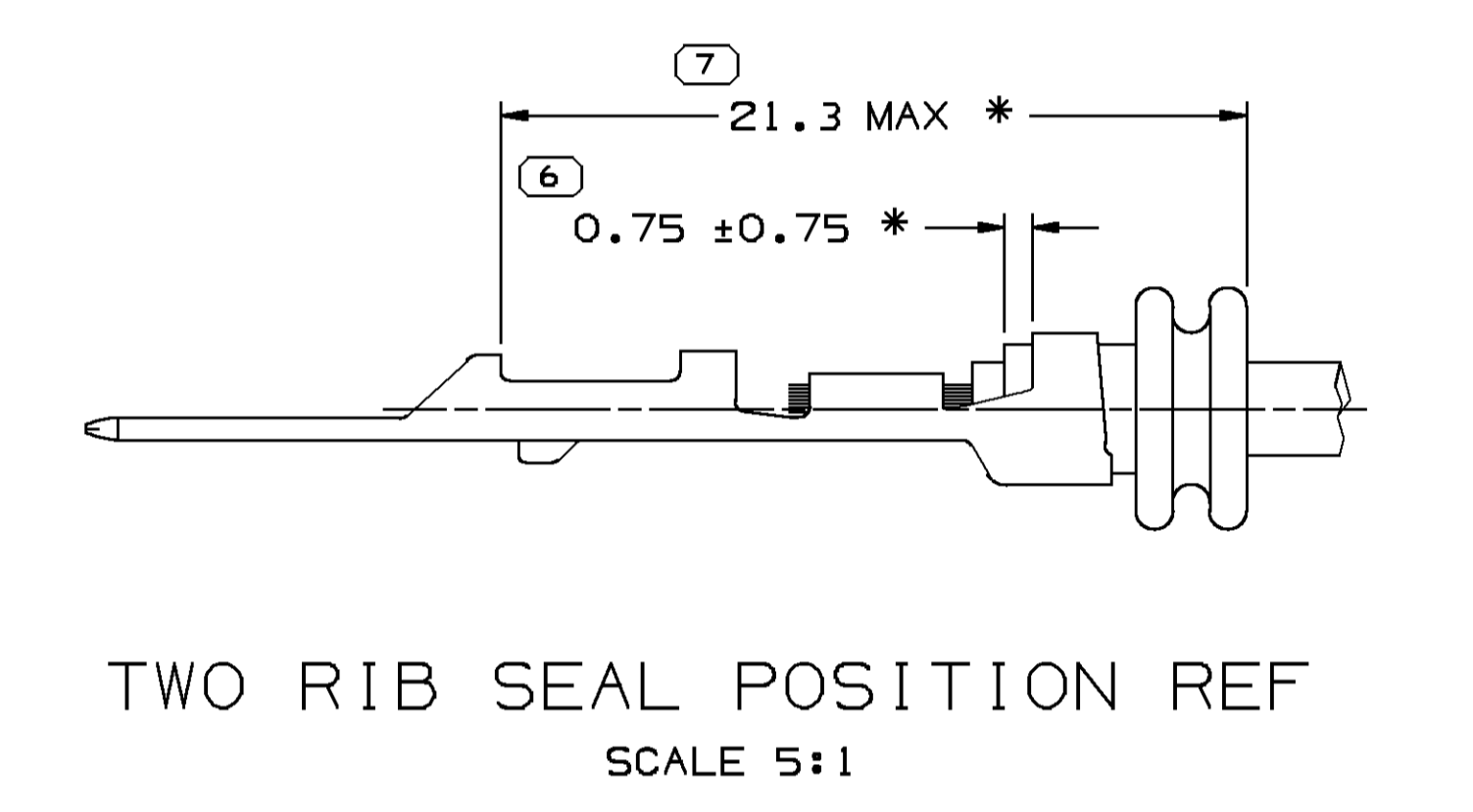
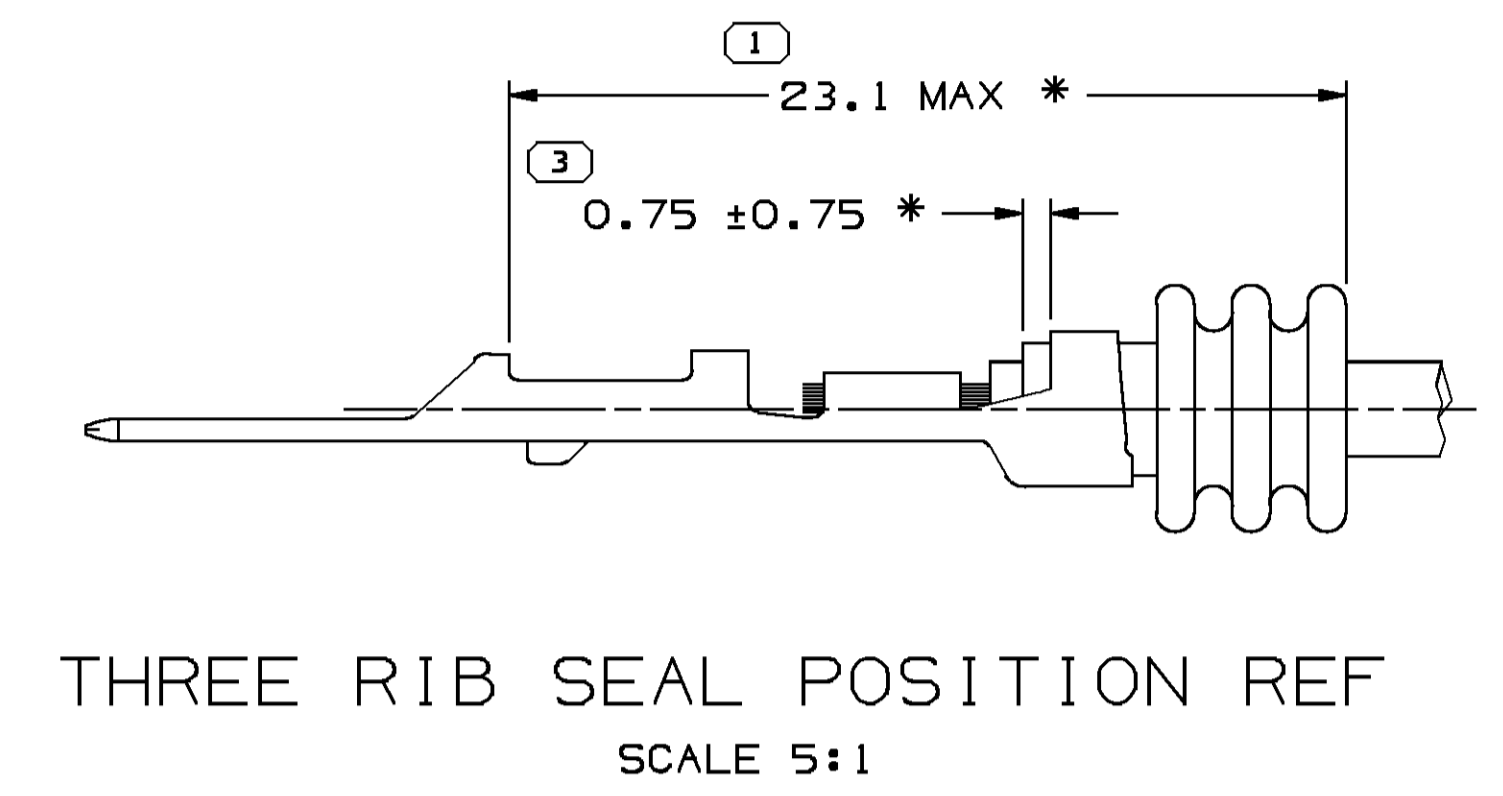
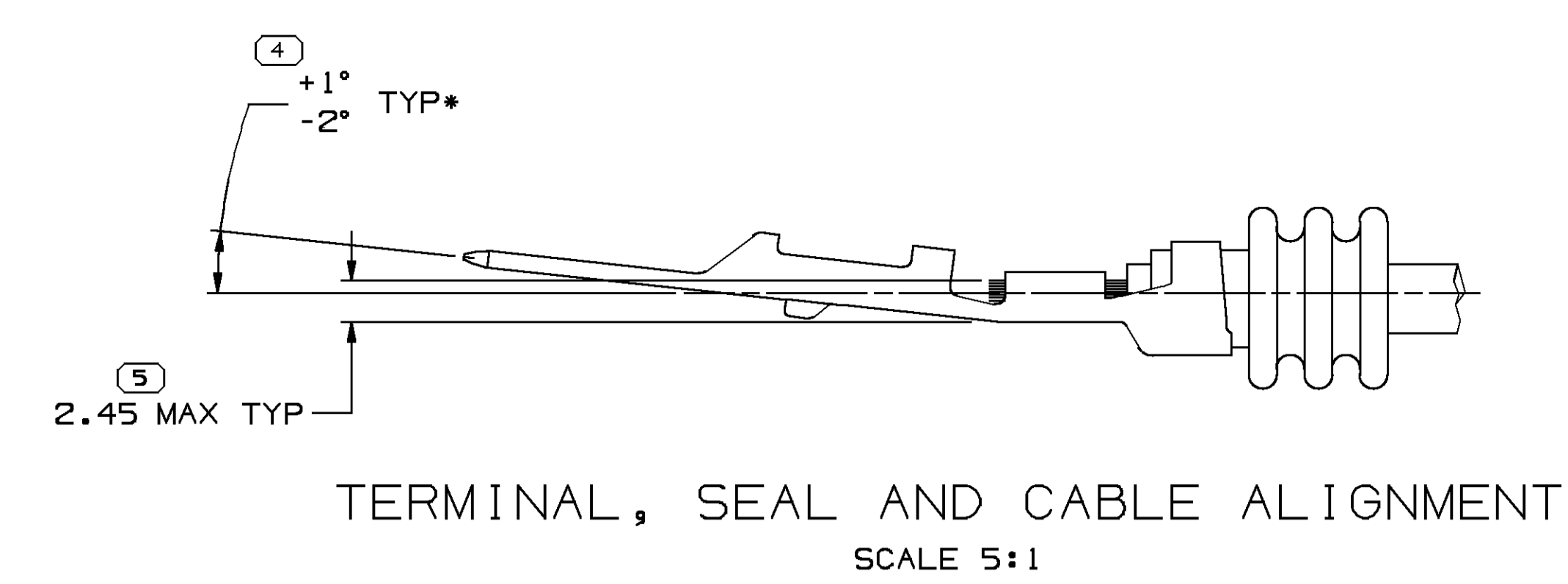


SYMBOL DEFINITION		TOTAL NO OF INSPECTIONS REQUIRED	NO MISSING SYMBOL NUMBER
A DIMENSION WITHOUT AN INSPECTION REPORT SYMBOL DOES NOT REQUIRE INSPECTION. IT MAY BE CONTROLLED ON THE INDIVIDUAL COMPONENT DRAWING.		19	
		LAST NO. USED	19

DWG STATUS				REVISION HISTORY				AUTH	DR	APVD	APVD
DATE	STG	REV	IV/P	CHG	ZONE						
30JUL02	R	04	-	-		CLEARED REV COLUMN: ALL PARTS - REDRAWN TO PD & UPDATED POM ATTRIBUTES	226419	AMG	AMG	TTP	
040C04	R	05	-	-		ALL PARTS - ADDED STAMP DIE I.D.	259308	ESH	JVM	MKM	
08FE05	R	06	-	-		13520634 - RELEASED	263659	MM	MM	JS	
03AU06	R	07	-	-		ALL PARTS - ADDED SEALING INFORMATION TO CHART	283049	AGB	CJP	JAS	
18NO08	R	08	-	-		ALL PARTS - UPDATED MAT'L CALLOUT	406724	AES	HCG	AES	
28AU09	R	09	-	-		ALL PARTS - REMOVED RESTRICTION FROM CHART & UPDATED MAT'L CALLOUT	408800	VMR	JHP	VMR	
03MR10	R	10	-	-		ALL PARTS - UPDATED POM ATTRIBUTES	410161	JTZ	JTZ	MAC	
07FE12	R	11	-	-		ALL PARTS - ADDED "PREFERRED MAT'L SIZE" COLUMN AND REVISED MAT'L CALLOUT	416977	JTZ	JTZ	DAF	



- NOTES
- UNLESS OTHERWISE SPECIFIED AND/OR INDICATED: DIMENSIONS ARE TO FACE OF VIEW SHOWN AND AUTOMATICALLY ROUNDED BY COMPUTER FOR INSPECTION (SEE MATH MODEL FOR PRECISE DIMENSIONS). FOR ALL OTHER DIMENSIONS NOT SHOWN BUT REQUIRED FOR TOOL BUILD, SEE MATH MODEL FOR PRECISE TOOL PATH DATA.
 - REFERENCE MATING COMPONENTS OR EQUIVALENT: TERMINAL 15304715
 - "**" DENOTES DIMENSIONS MADE AT CUT-OFF AND CRIMP DIE.
 - DO NOT PROBE, TEST OR OTHERWISE CONTACT THE INTERIOR REGION (THE SPRING OR ANY MOVING PART) OF THIS TERMINAL. SEVERE DAMAGE CAN OCCUR, COMPROMISING THE PERFORMANCE OF THE ELECTRICAL INTERFACE.
 - "PXX" INDICATES "P" PLUS LAST TWO DIGITS OF MAKE DIE SERIES NUMBER (P01, P02, P03, ETC). STAMP MAY BE IN ANY CONFIGURATION. (0.6) HIGH TRIANGULAR CONFIGURATION IS PREFERRED.

PART NO	REV	IV/P	STATUS	PREFERRED MAT'L SIZE	ALTERNATIVE MAT'L SIZE PLATED	MAT'L DESCRIPTION	SIZE (MM²)	ID	CABLE DIA	TYPE	SIZE (MM)	DI	TYPE	DI	DI	DI	DI	DI	DI	DI	
15304729	E7	-	-	0.3 X 35.75	0.3 X 36.12	TIN PLATED COPPER ALLOY	1.5 - 2.5	14	3 - 2.2	101	3.75	28.15	5.2 DIA. ROUND								
15304728	E7	-	-	0.3 X 35.75	0.3 X 36.12	TIN PLATED COPPER ALLOY	0.75 - 1	17	2.25 - 1.7	101	2.65	28.15	5.2 DIA. ROUND								
15304727	E7	-	-	0.3 X 35.75	0.3 X 36.12	TIN PLATED COPPER ALLOY	0.35 - 0.5	21	1.85 - 1.2	101	2.1	28.15	5.2 DIA. ROUND								
13520634	01	AE	-	0.3 X 35.75	0.3 X 36.12	TIN PLATED COPPER ALLOY	2 - 3	13	3.2 - 2.45	101	4	28.15	5.2 DIA. ROUND								

Dwg TYPE		PART DRAWING											
STYLE		DISTR CODE	D										
VOLUME (QTY)													
UNLESS OTHERWISE SPECIFIED													
THIS DOCUMENT IS IN ACCORDANCE WITH ASME Y14.5M-1994 AS MODIFIED BY THE 2003 DIMENSIONING AND TOLERANCING ADDENDUM - 1997. ALL GEOMETRIC TOLERANCES AND RELATED DATUMS APPLY UNLESS OTHERWISE SPECIFIED. MFC DOES NOT APPLY WHEN RELATIONSHIP BETWEEN FEATURES IS ESTABLISHED BY ORIENTATION OR LOCATION TOLERANCES. SEPARATE POSITION CALLOUTS MAY BE SAVED SEPARATELY, IRRESPECTIVE OF DATUM REFERENCE. ALL DIMENSIONS ARE IN MILLIMETERS.													
REFERENCE		THIRD ANGLE PROJECTION	DO NOT SCALE USE MATH DATA										
<table border="1"> <tr> <th>DIMENSIONAL RANGE (MM)</th> <th>CHART CD</th> </tr> <tr> <td>FROM 0 TO 12</td> <td>10</td> </tr> <tr> <td>TOLERANCE UNLESS OTHERWISE SPECIFIED</td> <td></td> </tr> <tr> <td>±0.1</td> <td>±0.2</td> </tr> <tr> <td>ANGULAR TOLERANCE ±2°</td> <td></td> </tr> </table>	DIMENSIONAL RANGE (MM)	CHART CD	FROM 0 TO 12	10	TOLERANCE UNLESS OTHERWISE SPECIFIED		±0.1	±0.2	ANGULAR TOLERANCE ±2°				
DIMENSIONAL RANGE (MM)	CHART CD												
FROM 0 TO 12	10												
TOLERANCE UNLESS OTHERWISE SPECIFIED													
±0.1	±0.2												
ANGULAR TOLERANCE ±2°													

DELPHI
DELPHI PACKARD ELECTRICAL/ELECTRONIC ARCHITECTURE
WARREN, OH

DR	DATE
APV01 C. MARGRAVE	04FE98
APV02 C. MARGRAVE	04FE98
APV03 S.C. HSIEH	20FE98
APV04	

SUBSTANCES OF CONCERN AND RECYCLED CONTENT PER DELPHI (944990)

MATERIAL SEE CHART

DRAWING NAME
TAXI TERM M GT 280 SEALED

DRAWING NUMBER
15336714

SIZE A0 SCALE 10:1 FRM NO 1 OF 1 SHEET NO 1 OF 1 STG REV IV/P R 11 -

Date: 09-Feb-12 Time: 07:17

Mouser Electronics

Authorized Distributor

Click to View Pricing, Inventory, Delivery & Lifecycle Information:

[Aptiv:](#)

[15304727-L](#)