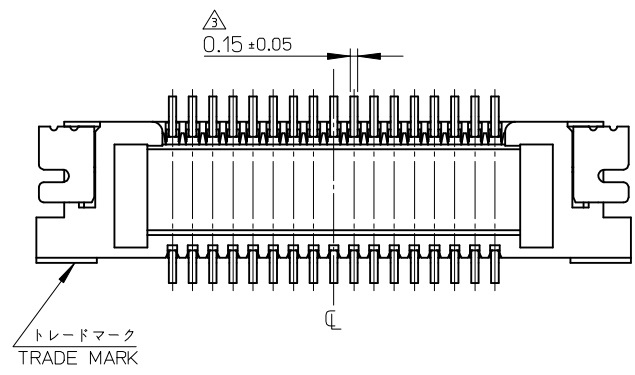
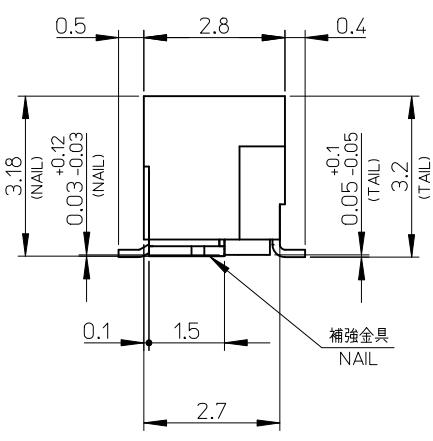
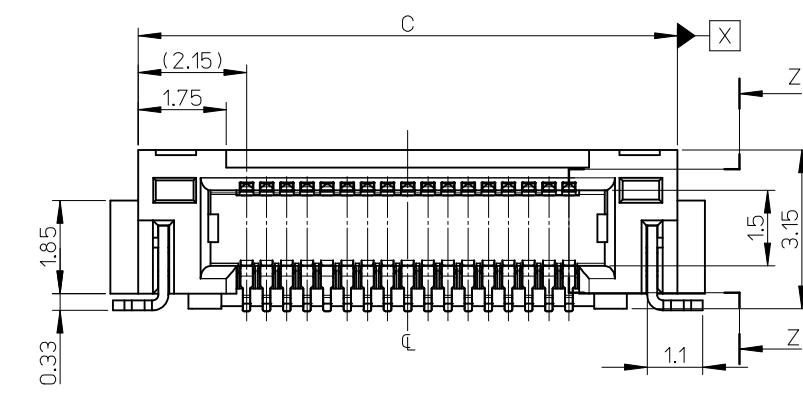
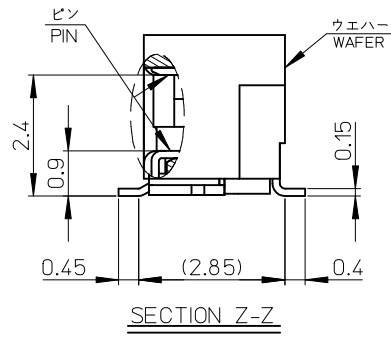
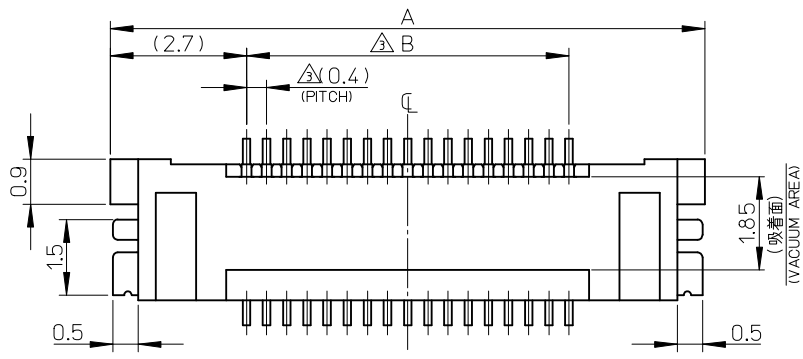


注記 NOTES

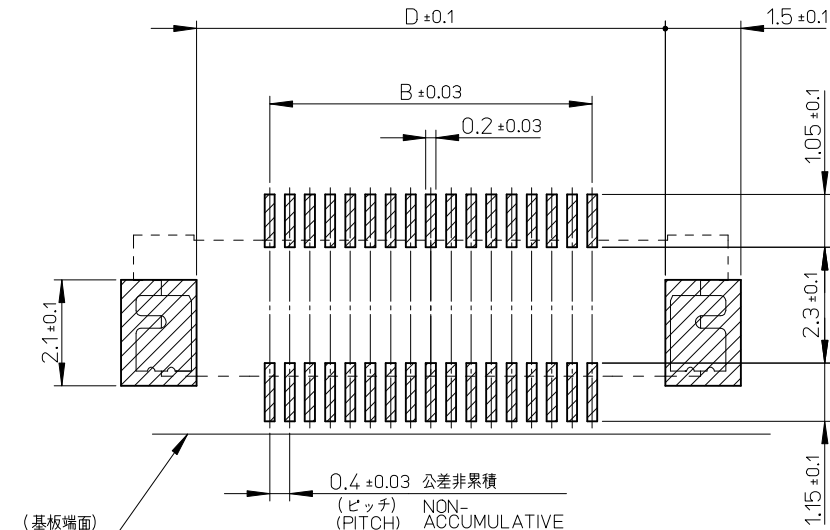
1. 使用材料 MATERIAL  
 ウエハー:液晶ポリマー ガラス充填 UL94V-0 黒色  
 WAFER:LIQUID CRYSTAL POLYMER, GLASS FILLED,  
 UL94V-0, COLOR BLACK  
 ピン:リン青銅 (t=0.15)  
 PIN:PHOSPHOR BRONZE(t=0.15)  
 補強金具:リン青銅 (t=0.2)  
 FITTING NAIL:PHOSPHOR BRONZE(t=0.2)
2. メッキ仕様 PLATING  
 ピン PIN  
 金メッキ  
 (コンタクト部とテール部)  
 GOLD PLATING  
 (CONTACT AND TAIL AREA)  
 下地メッキ:ニッケルメッキ 1.5μm 以上  
 UNDER PLATING : NICKEL 1.5 MICROMETER MINIMUM.  
 補強金具 FITTING NAIL  
 錫メッキ 1.0μm 以上  
 TIN PLATING 1.0 MICROMETER MINIMUM.  
 下地メッキ:ニッケルメッキ 1.0μm 以上  
 UNDER PLATING : NICKEL 1.0 MICROMETER MINIMUM.
- △ テール部に適用。  
 APPLY TO THE TAIL AREA.
4. 嵌合相手:54552 シリーズ  
 MATE WITH : 54552 SERIES.
5. テール平坦度は、0.08 以下  
 テール及び金具の平坦度は、0.1 以下  
 TAIL COPLANARITY TO BE 0.08MAXIMUM  
 TAIL AND FITTING NAIL COPLANARITY TO BE 0.1 MAXIMUM
6. ELV及びRoHS適合品  
 ELV AND RoHS COMPLIANT
- 7.本製品は503376-\*\*19のボス無し品である。  
 THIS PRODUCT IS NON-BOSS VERSION OF 503376-\*\*19.



|      |      |     |    |                    |          |
|------|------|-----|----|--------------------|----------|
| 12.5 | 13.9 | 9.6 | 15 | 503376-5020        | 50       |
| D    | C    | B   | A  | EMBOSSED TAPE PKG. | 極数       |
|      |      |     |    | ORDER No. オーダー番号   | CIRCUITS |

CONNECTOR SERIES No. : 503376-\*\*29

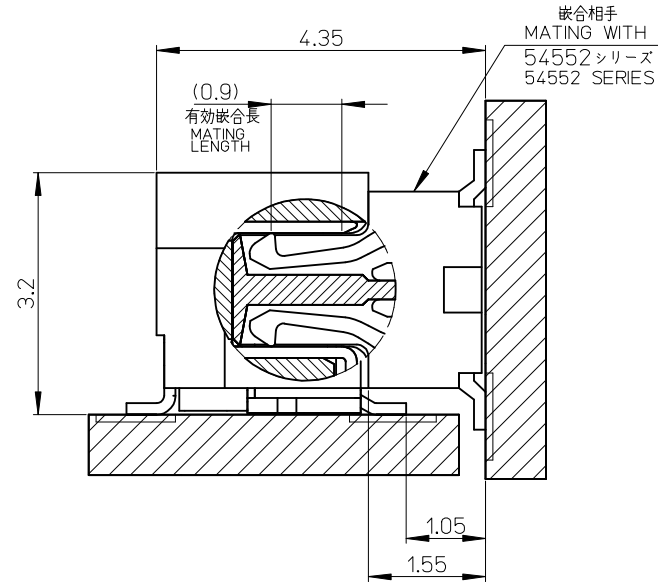
|  |                                       |              |   |            |              |  |
|--|---------------------------------------|--------------|---|------------|--------------|--|
| RELEASED<br>EC NO.: J2013-0242<br>DRWG:GMATSUNO 2012/08/31<br>CHKD:TASAKAWA 2012/08/31<br>APPR:TASAKAWA 2012/08/31 | GENERAL TOLERANCES (UNLESS SPECIFIED) |              | DIMENSION STYLE   | SCALE      | DESIGN UNITS | THIRD ANGLE PROJECTION<br>0.4 B-TO-B CONN. RA<br>PLUG NAIL ASSY<br>(WITHOUT BOSS)<br><b>molex</b><br>SD-503376-003<br>SHEET NO. 1 OF 2 |
|  |                                       |              | MM ONLY   | ---        | METRIC       |  |
|  | 10 UNDER                              | ±0.2         | DRAWN BY  | DATE       | TITLE        |  |
|  | 10 OVER 30 UNDER                      | ±0.25        | GMATSUNO  | 2012/08/27 |              |  |
|  | 30 OVER                               | ±0.3         | CHECKED BY  | DATE       |              |  |
|  |                                       | TASAKAWA     | 2012/08/27  |            |              |  |
|  |                                       | APPROVED BY  | DATE  |            |              |  |
|  |                                       | TASAKAWA     | 2012/08/31  |            |              |  |
|  |                                       | MATERIAL NO. | DOCUMENT NO.  |            |              |  |
|  |                                       | SEE CHART    |   |            |              |  |
|  |                                       | SIZE         | THIS DRAWING CONTAINS INFORMATION THAT IS PROPRIETARY TO MOLEX INCORPORATED AND SHOULD NOT BE USED WITHOUT WRITTEN PERMISSION |            |              |  |
|  |                                       | A3           |   |            |              |  |



(基板端面)  
(PWB EDGE)

推奨基板レイアウト(マウント面)

RECOMMENDED P.W.BOARD  
PATTERN DIMENSION. (REFERENCE)  
(MOUNTING AREA)



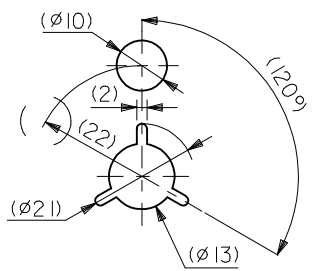
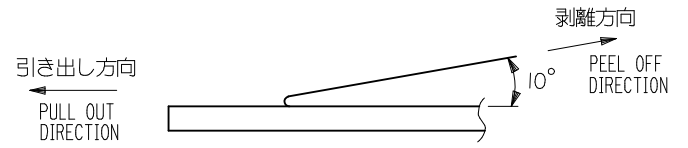
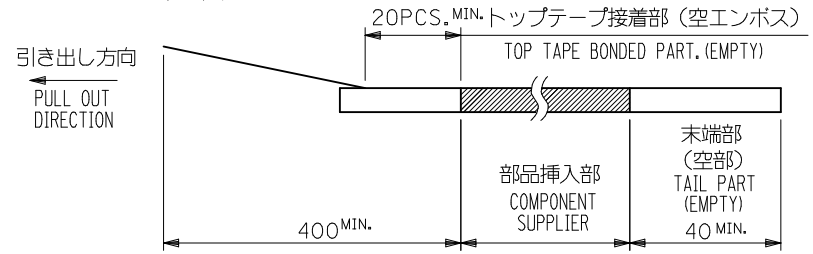
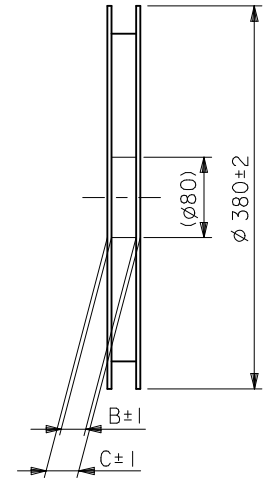
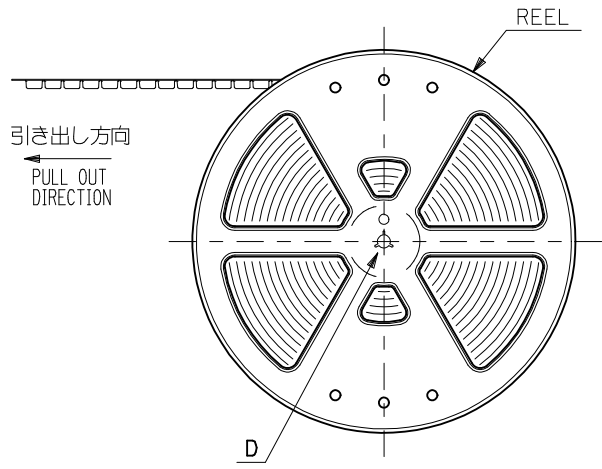
嵌合断面 (参考)

MATED DRAWING(REFERENCE)

|  |                                       |           |                            |  |                      |                     |   |
|--|---------------------------------------|-----------|----------------------------|--|----------------------|---------------------|---|
| RELEASED<br>EC NO: J2013-0242<br>DRWG: GMATSUNO 2012/08/31<br>CHKD: TASAKAWA 2012/08/31<br>APPR: TASAKAWA 2012/08/31<br>REV: 0 | GENERAL TOLERANCES (UNLESS SPECIFIED) |           | DIMENSION STYLE<br>MM ONLY |  | CONNECTOR SERIES No. | 503376-**29         |   |
|  | 10 UNDER                              | ± 0.2     | DRAWN BY                   | DATE   | SCALE                | DESIGN UNITS        |   |
|  | 10 OVER 30 UNDER                      | ± 0.25    | GMATSUNO                   | 2012/08/27   | ---                  | METRIC              | THIRD ANGLE PROJECTION                                  |
|  | 30 OVER                               | ± 0.3     | TASAKAWA                   | 2012/08/27   | TITLE                |                     | 0.4 B-TO-B CONN. RA<br>PLUG NAIL ASSY<br>(WITHOUT BOSS) |
|  | ANGULAR                               | ± 3 °     | TASAKAWA                   | 2012/08/31   | DOCUMENT NO.         |                     | <b>molex</b>  |
| DRAFT WHERE APPLICABLE<br>MUST REMAIN<br>WITHIN DIMENSIONS   |                                       | SEE CHART |                            | SD-503376-003  |                      | SHEET NO.<br>2 OF 2 |   |
|  |                                       |           |                            | THIS DRAWING CONTAINS INFORMATION THAT IS PROPRIETARY TO MOLEX<br>INCORPORATED AND SHOULD NOT BE USED WITHOUT WRITTEN PERMISSION |                      |                     |   |

NOTES

- 製品詳細寸法については SD-503376-003 を参照ください。  
RE DETAILED DIMENSION, SEE SD-503376-003
- 梱包数量：1500個/リール  
NUMBER OF CONNECTORS：1500PCS/REEL
- リードテープ長さ LEAD TAPE LENGTH  
20PCS. MIN. トップテープ接着部 (空エンボス)  
TOP TAPE BONDED PART. (EMPTY)  
部品挿入部  
COMPONENT SUPPLIER  
末端部 (空部)  
TAIL PART (EMPTY)  
40 MIN.
- トップテープの剥離強度：0.1～1.3N {10～130gf} (剥離方向は下図参照)  
尚、本規格値は出荷時に適用。(但し、輸送時に剥離が発生しないこと。)  
PEELING OFF FORCE OF TOP TAPE：0.1～1.3N {10～130gf}  
(PEELING DIRECTION AS SHOWN IN FOLLOWING FIG.)  
THIS REQUIREMENT SHOULD BE APPLIED AT SHIPMENT.  
PEEL OFF SHOULD NOT BE ALLOWED, DURING TRANSPORTATION.
- 材料 (MATERIAL)  
キャリアテープ (CARRIER TAPE)：ポリプロピレン (POLYPROPYLENE)  
トップテープ (TOPTAPE)：PET, PE, PEF  
リール (REEL)：ポリスチレン (P.S) (リサイクル材を含む)  
POLYSTYRENE (PS) <RECYCLE MATERIAL CONTAINED>
- ELV 及び RoHS 適合品  
ELV AND RoHS COMPLIANT.
- 本製品は、503376-\*\*10 のボス無し品である。  
THIS PRODUCT IS NON-BOSS VERSION OF 503376-\*\*10.

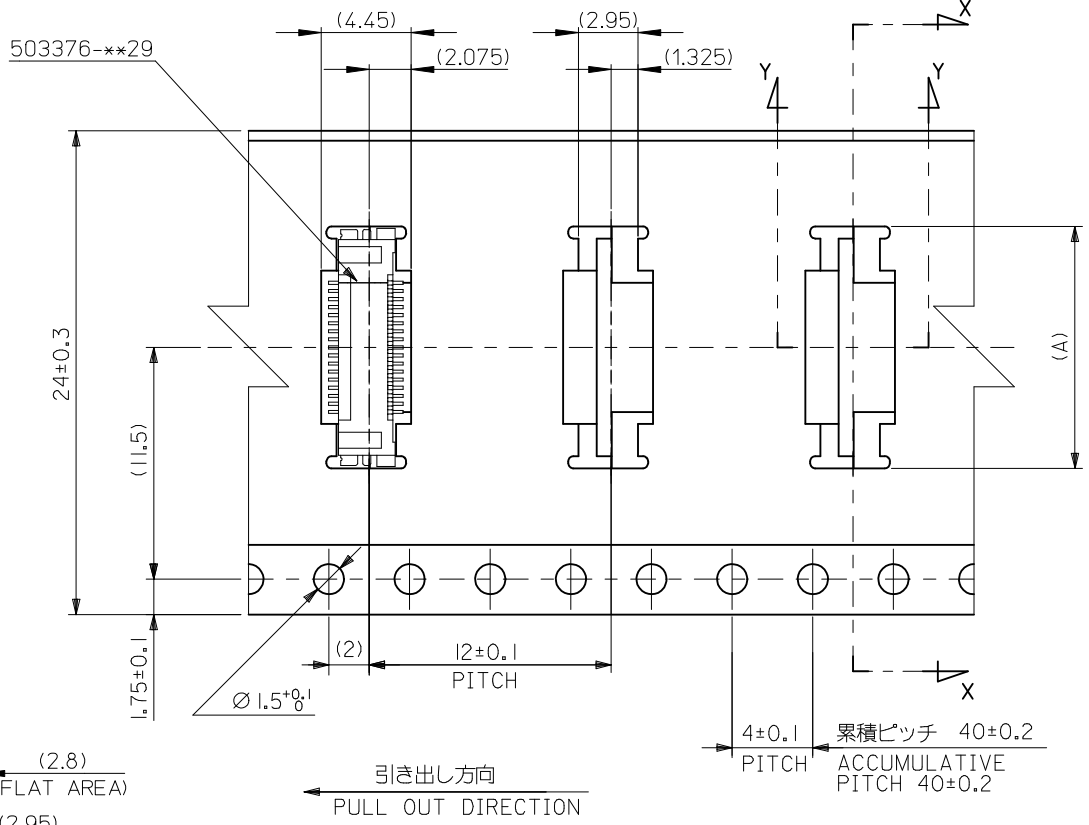
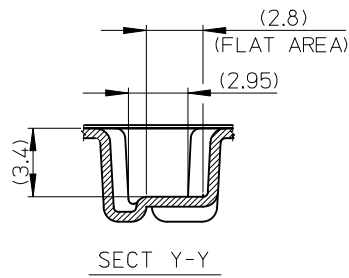
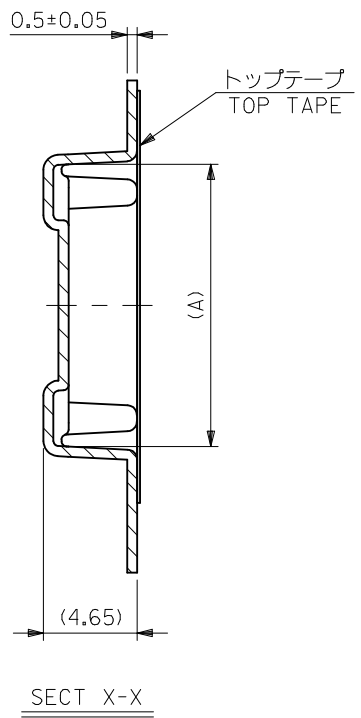


DETAIL D

|                    |          |
|--------------------|----------|
| 503376-5020        | 50       |
| EMBOSSED TAPE PKG. | 極数       |
| ORDER No. オーダー番号   | CIRCUITS |

CONNECTOR SERIES NO. 503376-\*\*20

|   |                                       |                           |                            |   |  |                        |                        |
|---|---------------------------------------|---------------------------|----------------------------|---|--|------------------------|------------------------|
| RELEASED<br>EC NO.: J2013-0242<br>DRWG: GMATSUNO 2012/08/31<br>CHKD: TASAKAWA 2012/08/31<br>APPR: TASAKAWA 2012/08/31 | GENERAL TOLERANCES (UNLESS SPECIFIED) |                           | DIMENSION STYLE<br>MM ONLY |   | SCALE<br>---   | DESIGN UNITS<br>METRIC | THIRD ANGLE PROJECTION |
|   | 10 UNDER                              | ±0.2                      | DRAWN BY<br>GMATSUNO       | DATE<br>2012/08/27  | TITLE<br>EMBSTP PKG FOR 0.4 B/B<br>CONN. RA PLUG NAIL ASSY<br>WITHOUT BOSS<br><b>molex</b><br>DOCUMENT NO.<br>SD-503376-004<br>SHEET NO.<br>1 OF 2 |                        |                        |
|   | 10 OVER 30 UNDER                      | ±0.25                     | CHECKED BY<br>TASAKAWA     | DATE<br>2012/08/27  |  |                        |                        |
|   | 30 OVER                               | ±0.3                      | APPROVED BY<br>TASAKAWA    | DATE<br>2012/08/31  |  |                        |                        |
| ANGULAR ±3 °  |                                       | MATERIAL NO.<br>SEE CHART |                            |   |  |                        |                        |
| DRAFT WHERE APPLICABLE MUST REMAIN WITHIN DIMENSIONS  |                                       | SIZE<br>A3                |                            | THIS DRAWING CONTAINS INFORMATION THAT IS PROPRIETARY TO MOLEX INCORPORATED AND SHOULD NOT BE USED WITHOUT WRITTEN PERMISSION |  |                        |                        |



24mm幅キャリアテープ  
24mm WIDTH CARRIER TAPE

|                                |      |      |      |  |                |
|--------------------------------|------|------|------|--|----------------|
| 24                             | 29.4 | 25.4 | 15.2 | 503376-5020                            | 50             |
| キャリアテープ幅<br>CARRIER TAPE WIDTH | C    | B    | (A)  | EMBOSSED TAPE PKG.<br>ORDER No. オーダー番号 | 極数<br>CIRCUITS |

|  |                                       |  |                            |                        |  |                          |
|--|---------------------------------------|--|----------------------------|------------------------|--|--------------------------|
| RELEASED<br>EC NO: J2013-0242<br>DRWG: GMATSUNO 2012/08/31<br>CHKD: TASAKAWA 2012/08/31<br>APPR: TASAKAWA 2012/08/31 | GENERAL TOLERANCES (UNLESS SPECIFIED) |  | DIMENSION STYLE<br>MM ONLY |                        | SCALE<br>---   | MODEL NO.<br>503376-**20 |
|  | 10 UNDER                              | ±0.2   | DRAWN BY<br>GMATSUNO       | DATE<br>2012/08/27     | TITLE<br>EMBSTP PKG FOR 0.4 B/B<br>CONN. RA PLUG NAIL ASSY<br>WITHOUT BOSS |                          |
|  | 10 OVER 30 UNDER                      | ±0.25  | CHECKED BY<br>TASAKAWA     | DATE<br>2012/08/27     | <b>molex</b><br>DOCUMENT NO. SD-503376-004<br>SHEET NO. 2 OF 2             |                          |
|  | 30 OVER                               | ±0.3   | APPROVED BY<br>TASAKAWA    | DATE<br>2012/08/31     |  |                          |
| ANGULAR  | ±3 °                                  | MATERIAL NO.<br>SEE CHART  |                            | THIRD ANGLE PROJECTION |  |                          |
| DRAFT WHERE APPLICABLE<br>MUST REMAIN<br>WITHIN DIMENSIONS   |                                       | THIS DRAWING CONTAINS INFORMATION THAT IS PROPRIETARY TO MOLEX<br>INCORPORATED AND SHOULD NOT BE USED WITHOUT WRITTEN PERMISSION |                            |                        |  |                          |