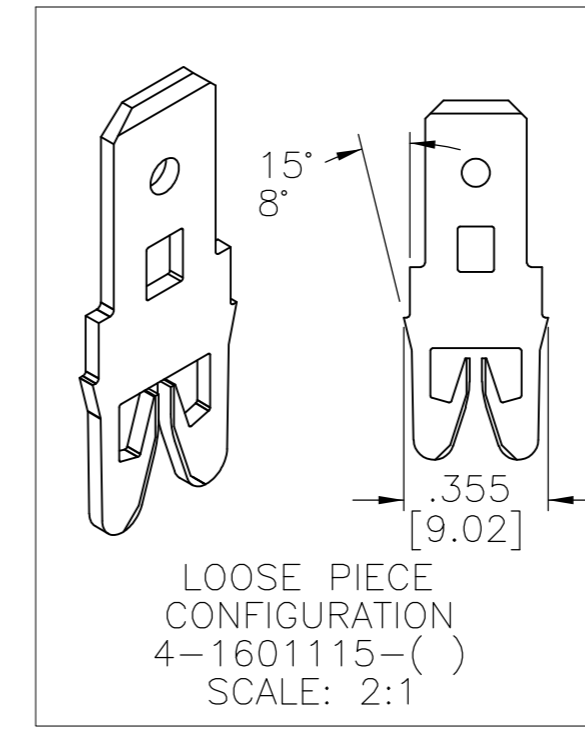
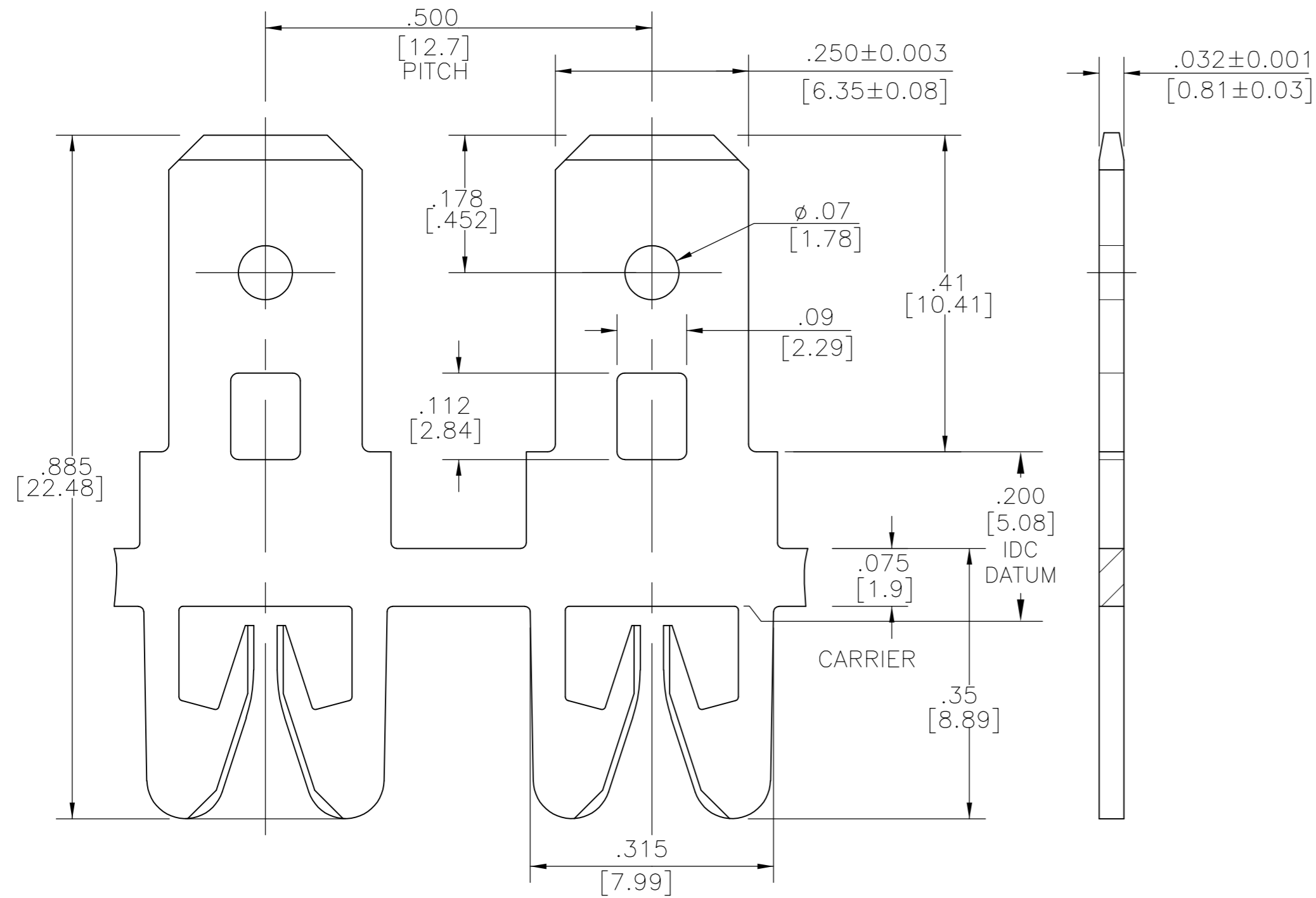
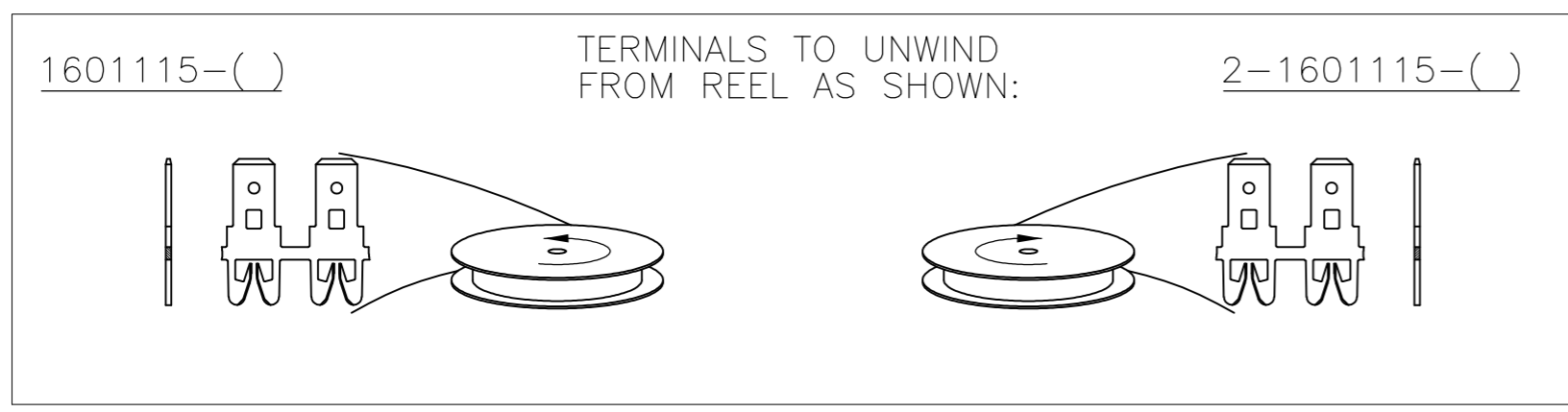


THIS DRAWING IS UNPUBLISHED. RELEASED FOR PUBLICATION
 © COPYRIGHT - By - ALL RIGHTS RESERVED.

REVISIONS				
P	LTR	DESCRIPTION	DATE	APVD
D3		REV PER ECR-16-009964	09AUG2016	JH TIM



- SPECIFICATIONS:
MAGNET WIRE #12 - #20 AWG,
2.03mm (.080") - 0.81mm (.032") DIA COPPER.
OTHER SIZES MAY BE ACCOMMODATED,
CONSULT TYCO ELECTRONICS FOR APPROVAL.
- POCKET RECOMMENDATION : #1601435
- TERMINAL APPLICATION TO COMPLY
WITH TYCO ELECTRONICS SPEC 114-13210, FIG 6
- DIMENSIONS SHOWN DO NOT INCLUDE PLATING.
- PRELIMINARY - NOT FOR PRODUCTION.



OBSOLETE

-	-	-
POST TIN PLATE OVER COPPER UNDERPLATE	-	4-1601115-2
UNPLATED	032-009-000	4-1601115-1
POST TIN PLATE OVER COPPER UNDERPLATE	132-009-001	1601115-2
UNPLATED	132-009-000	1601115-1
FINISH	REFERENCE PART NUMBER	PART NUMBER
THIS DRAWING IS A CONTROLLED DOCUMENT.		DWN MS FEHER 11JAN2002
DIMENSIONS: INCHES		CHK M.FEHER 11JAN2002
TOLERANCES UNLESS OTHERWISE SPECIFIED:		APVD K.RANDOLPH 11JAN2002
0 PLC ± -		NAME
1 PLC ± -		TE Connectivity
2 PLC ± .01[0.25]		HEAVY RANGE WIRE TO .250 X .032 TAB SIAMEZE TERMINAL
3 PLC ± .005[0.13]		PRODUCT SPEC
4 PLC ± -		108-2316
ANGLES ± 2°		APPLICATION SPEC
MATERIAL BRASS, SPRING HARD		FINISH SEE TABLE
WEIGHT 0.000000		SIZE A2 CAGE CODE 00779
CUSTOMER DRAWING		DRAWING NO C=1601115
SCALE 1:4		SHEET 1 OF 1
REV D3		RESTRICTED TO -

Mouser Electronics

Authorized Distributor

Click to View Pricing, Inventory, Delivery & Lifecycle Information:

[TE Connectivity:](#)

[4-1601115-1](#)