

| COUNT | DESCRIPTION OF REVISIONS | BY | CHKD | DATE | COUNT | DESCRIPTION OF REVISIONS | BY | CHKD | DATE |
|-------|--------------------------|----|------|------|-------|--------------------------|----|------|------|
|       |                          |    |      |      |       |                          |    |      |      |
|       |                          |    |      |      |       |                          |    |      |      |
|       |                          |    |      |      |       |                          |    |      |      |

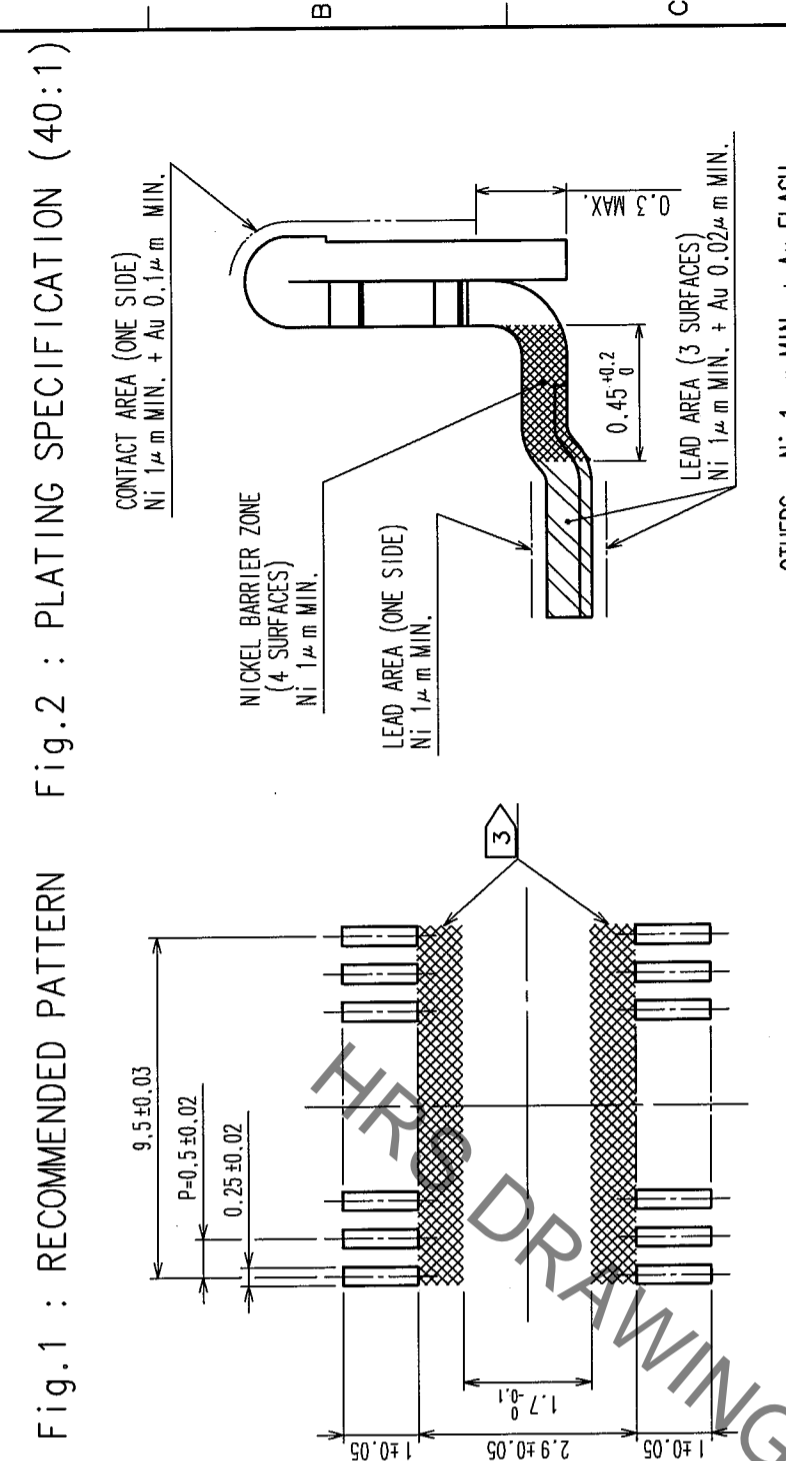


Fig.1 : RECOMMENDED PATTERN Fig.2 : PLATING SPECIFICATION (40:1)

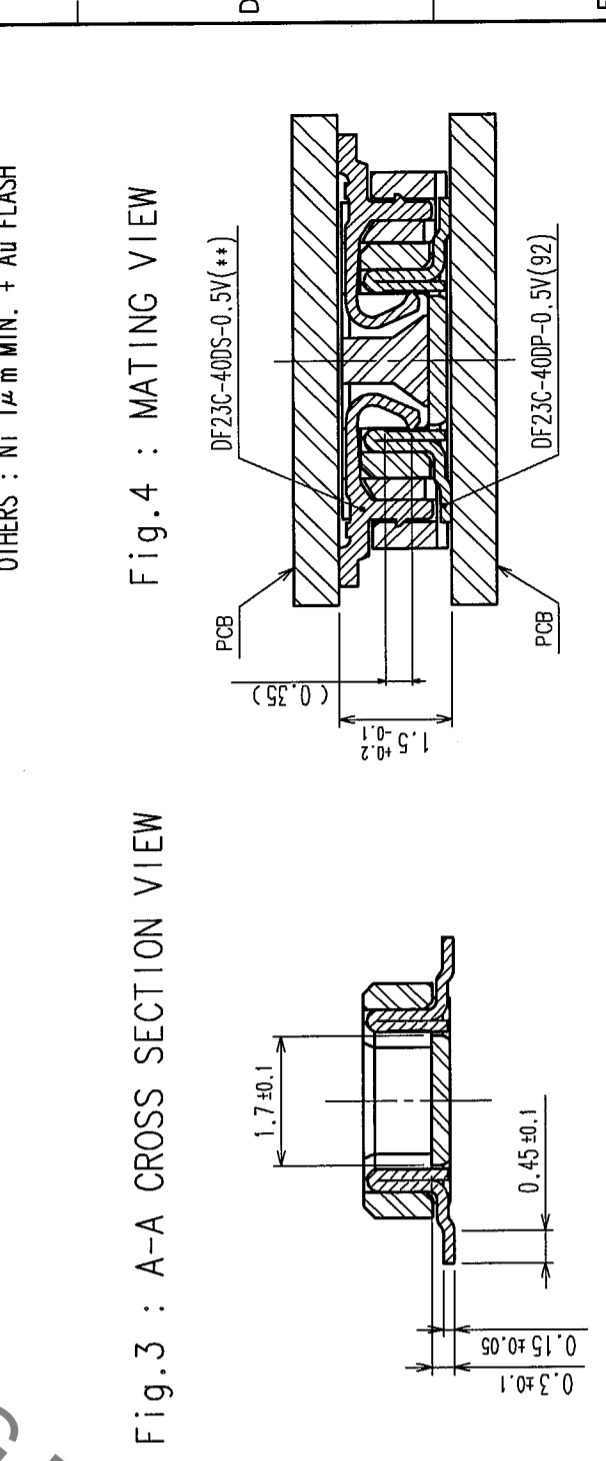


Fig.3 : A-A CROSS SECTION VIEW Fig.4 : MATING VIEW

| NO. | MATERIAL        | FINISH, REMARKS | NO. | MATERIAL  | FINISH, REMARKS |
|-----|-----------------|-----------------|-----|-----------|-----------------|
| 2   | PHOSPHOR BRONZE | ②               | 4   | POLYESTER | CLEAR           |
| 1   | LCP             | BLACK,UL94V-0   | 3   | PS        | CLEAR           |

| CODE NO. (OLD) | DRAWN     | DESIGNED   | CHECKED  | APPROVED | RELEASED |
|----------------|-----------|------------|----------|----------|----------|
|                | F.Matsuki | T.Yamamoto | T.Sakata | T.Sakata |          |
|                | '04.01.15 | '04.1.15   | '04.1.16 | '04.1.16 |          |

| DRAWING NO.    | PART NO.            |
|----------------|---------------------|
| EDC3-164005-02 | DF23C-40DP-0.5V(92) |

| SCALE  | UNITS | CODE NO.        |
|--------|-------|-----------------|
| 10 : 1 | mm    | CL688-0803-3-92 |

NOTES 1 LEAD CO-PLANARITY SHALL BE 0.1mm MAX.  
 ② REFER TO Fig.2  
 ③ WHEN A PART MARKED WITH HAS A PATTERN BUT NO RESIST ON IT, TAKE CARE TO PREVENT THE CONNECTOR FROM TOUCHING IT.

Oct.1.2020 Copyright 2020 HIROSE ELECTRIC CO., LTD. All Rights Reserved.

In case of consideration for using Automotive equipment / device which demand high reliability, kindly contact our sales window correspondents.

| COUNT | DESCRIPTION OF REVISIONS | BY | CHKD | DATE | COUNT | DESCRIPTION OF REVISIONS | BY | CHKD | DATE |
|-------|--------------------------|----|------|------|-------|--------------------------|----|------|------|
|       |                          |    |      |      |       |                          |    |      |      |
|       |                          |    |      |      |       |                          |    |      |      |
|       |                          |    |      |      |       |                          |    |      |      |

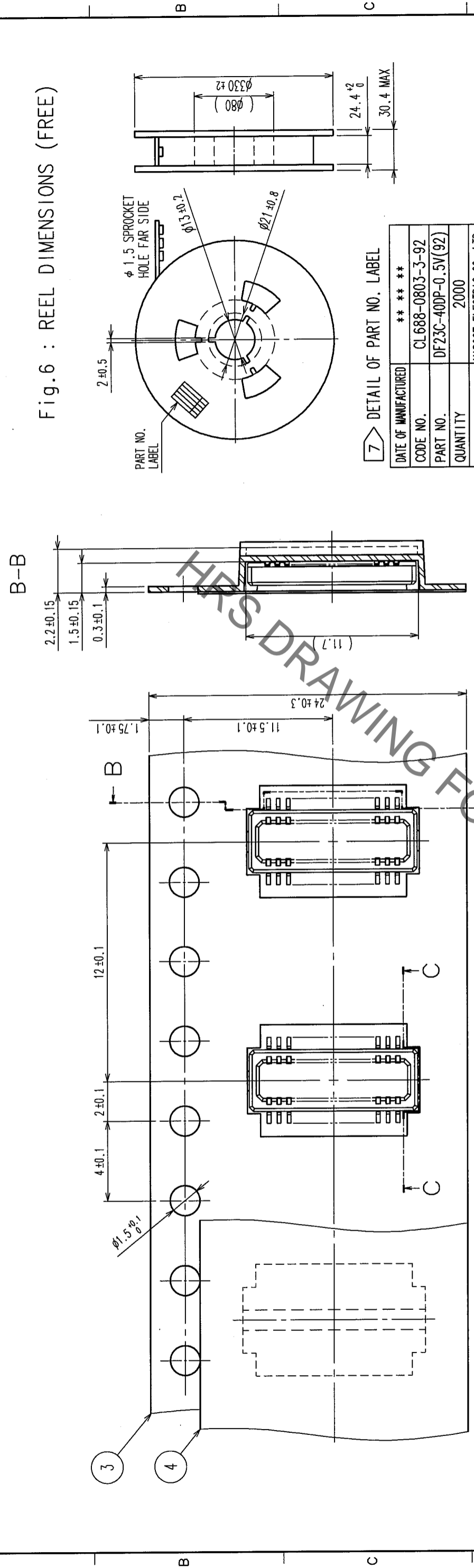
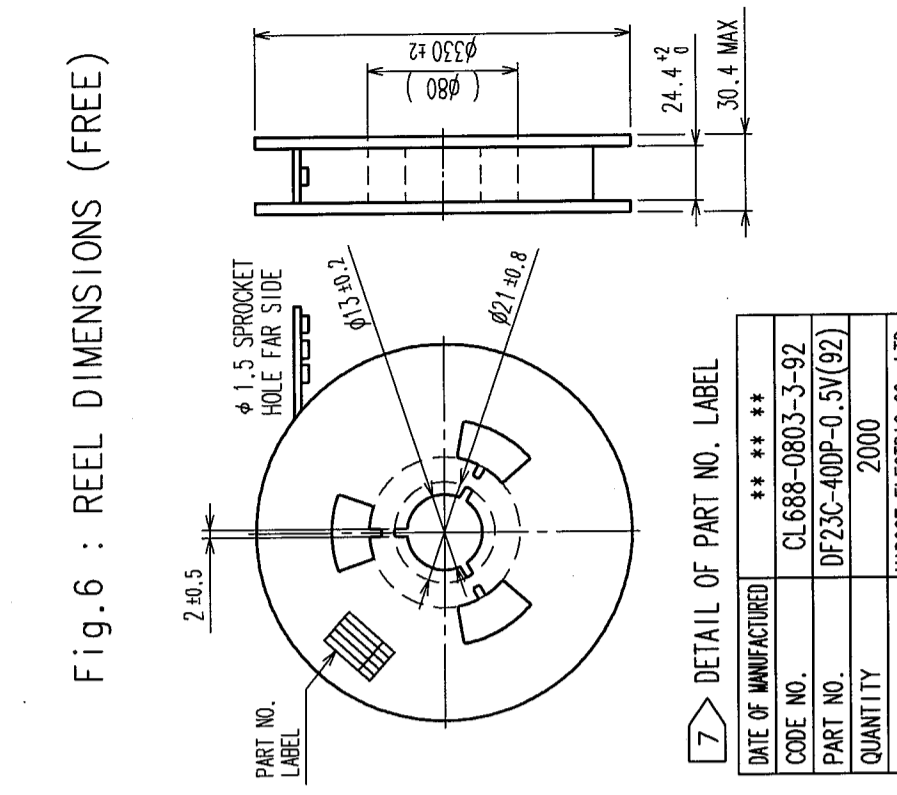


Fig. 6 : REEL DIMENSIONS (FREE)



7

| DATE OF MANUFACTURED | *** ** *                  |
|----------------------|---------------------------|
| CODE NO.             | CL688-0803-3-92           |
| PART NO.             | DF23C-40DP-0.5V(92)       |
| QUANTITY             | 2000                      |
| SUPPLIER             | HIROSE ELECTRIC CO., LTD. |

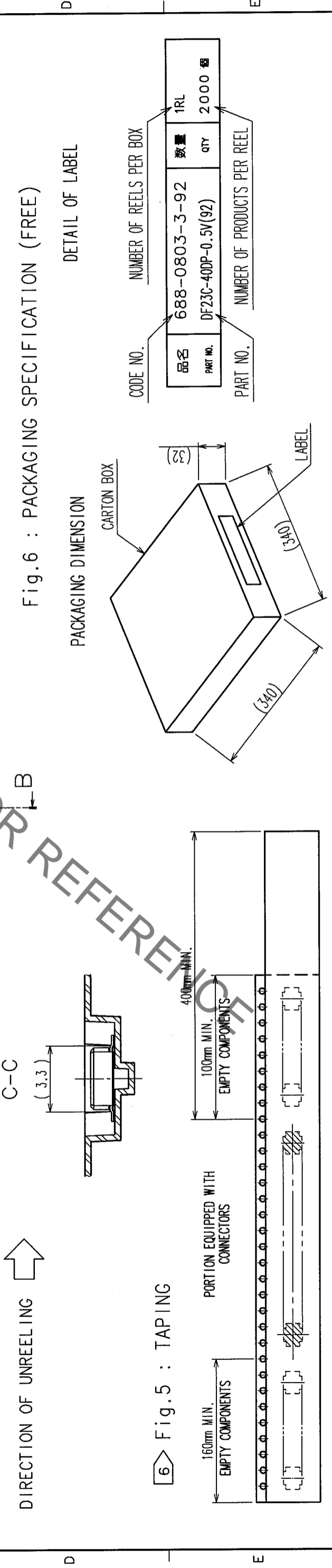
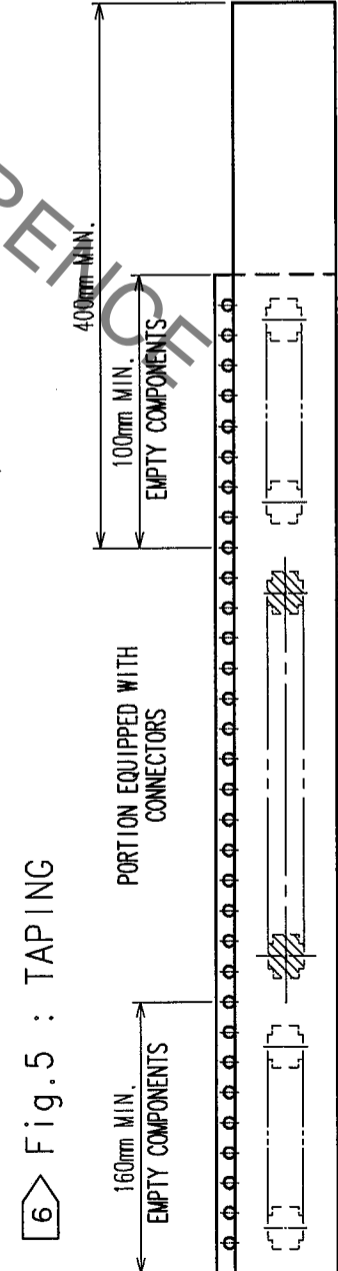


Fig. 6 : PACKAGING SPECIFICATION (FREE)

DIRECTION OF UNREELING →



6 Fig. 5 : TAPING

| TO | TRAILER | LEADER | DATE | BY | CHKD | DATE | BY | CHKD | DATE |
|----|---------|--------|------|----|------|------|----|------|------|
|    |         |        |      |    |      |      |    |      |      |
|    |         |        |      |    |      |      |    |      |      |
|    |         |        |      |    |      |      |    |      |      |

| CODE NO. (OLD) | DRAWN      | DESIGNED    | CHECKED   | APPROVED  | RELEASED |
|----------------|------------|-------------|-----------|-----------|----------|
|                | F. Matsuki | T. Yamamoto | T. Sakata | T. Sakata |          |
|                | '04.01.15  | '04.1.16    | '04.1.16  | '04.1.16  |          |

| DRAWING NO.    | PART NO.            | NUMBER OF REELS PER BOX | NUMBER OF PRODUCTS PER REEL |
|----------------|---------------------|-------------------------|-----------------------------|
| EDC3-164005-02 | DF23C-40DP-0.5V(92) | 1RL                     | 2000                        |

| SCALE | UNITS | CODE NO.        |
|-------|-------|-----------------|
| 5 : 1 | mm    | CL688-0803-3-92 |

NOTES  
 4 PER REEL 2000 CONNECTORS  
 5 THE DIMENSIONS IN PARENTHESES ARE FOR REFERENCE.  
 6 REFER TO JIS C 0806  
 (PACKAGING OF COMPONENTS FOR AUTOMATIC HANDLING)  
 7 DETAIL OF PART NO. LABEL IS WRITTEN IN JAPANESE.