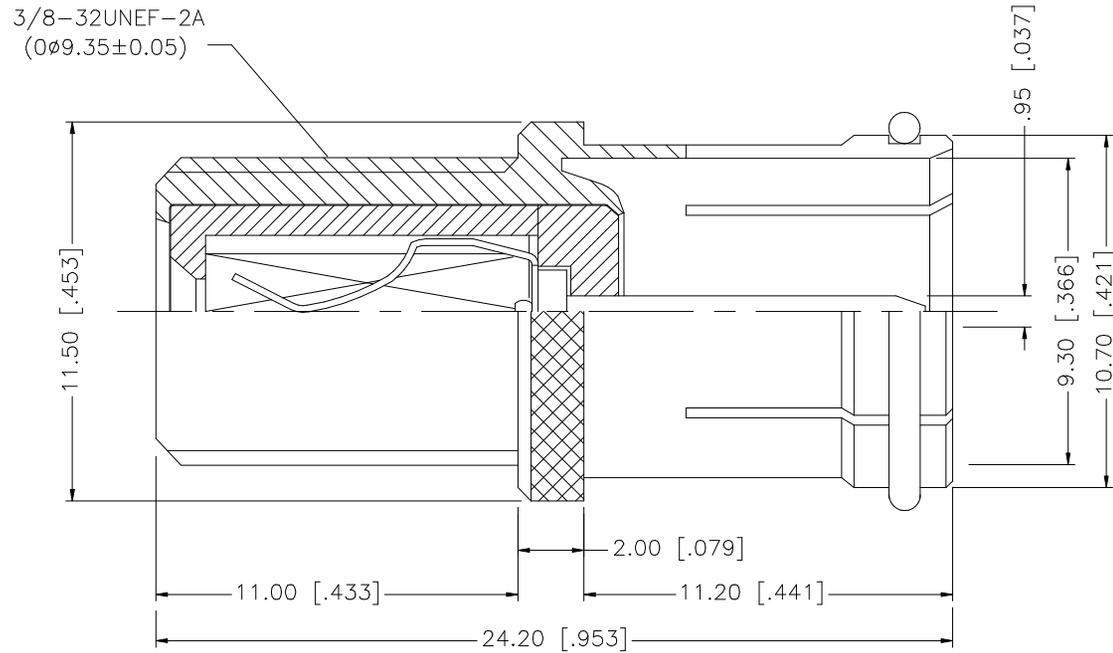


REV.	DATE	DESCRIPTION
NC	05/23/07	INITIAL RELEASE



8				
7				
6				
5				
4	CONTACT PIN	BRASS	BRIGHT TIN	1
3	INSULATOR	P.P.	NATURAL	1
2	INSULATOR	DELTRIN	NATURAL	1
1	BODY	BRASS	NICKEL	1
	DESCRIPTION	MATERIAL	FINISH	QTY

UNLESS OTHERWISE SPECIFIED DIMENSIONS ARE IN MILLIMETERS. DIMENSIONS IN [] ARE IN INCHES AND FOR CUSTOMER REFERENCE ONLY.

UNLESS OTHERWISE SPECIFIED TOLERANCES FOR MILLIMETERS ARE:
0.5 - 8mm ± 0.20mm
8 - 30mm ± 0.40mm
30 - 120mm ± 0.50mm

UNLESS OTHERWISE SPECIFIED TOLERANCES FOR INCHES ARE:
.020 - .315 = ± 0.007"
.315 - 1.180 = ± 0.015"
1.180 - 4.724 = ± 0.020"

DO NOT SCALE DRAWING

APPROVALS	DATE
DRAWN G.R.S.	05/23/07
CHECKED	
ISSUED	
SHEET 1 OF 1	
CAD FILE	C:/222/222157-11.DWG

Amphenol Connex			
PART DESCRIPTION F JACK TO QUICK DISCONNECT PLUG ADAPTER			
PART NO. 222157-11			
DWG. NO.	222157-11.DWG	REV. NC	SCALE NA

Mouser Electronics

Authorized Distributor

Click to View Pricing, Inventory, Delivery & Lifecycle Information:

[Amphenol:](#)

[222157-11](#)