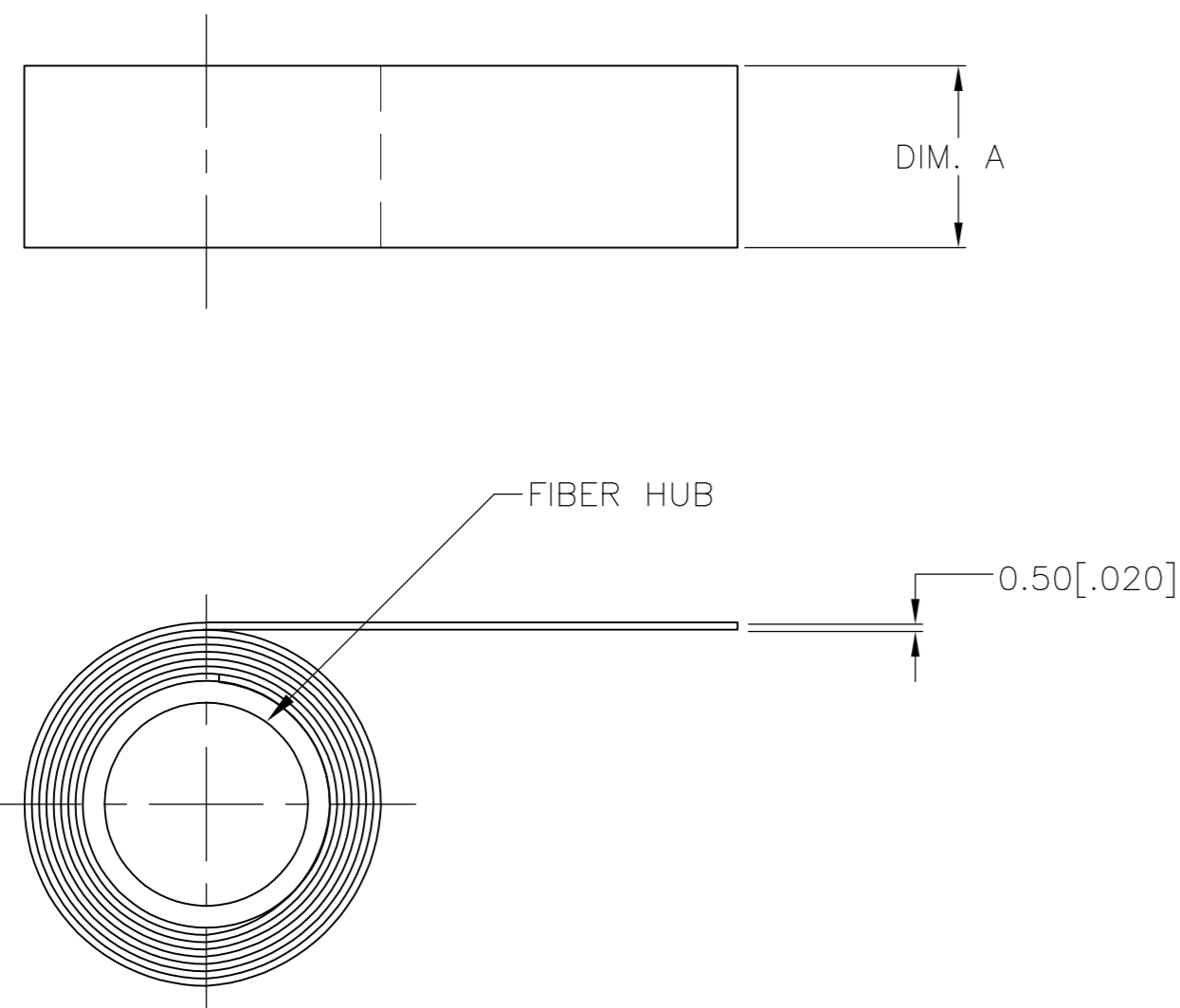


THIS DRAWING IS UNPUBLISHED. RELEASED FOR PUBLICATION  
 © COPYRIGHT - - ALL RIGHTS RESERVED.

REVISIONS				
P	LTR	DESCRIPTION	DATE	APVD
	A1	REVISED PER ECO-16-012212	23AUG2016	NK DR

- 1 MATERIAL: POLYISOBUTYLENE SELF-AMALGAMATING TAPE, BLACK, 0.50[.020] THICK.
- 2 SELF AMALGAMATING MATERIAL HAS A 5 YEAR SHELF LIFE, WHICH BEGINS THE DAY MADE. USE AFTER EXPIRATION CONSIDERABLY IMPEDES ITS ABILITY TO FUSE.



9.15M [30 FEET]	38.1[1.50]	605980-3
9.15M [30 FEET]	25.4[1.00]	605980-2
9.15M [30 FEET]	19.1[0.75]	605980-1
LENGTH / ROLL	DIM A	PART NO.

THIS DRAWING IS A CONTROLLED DOCUMENT.		DWN JR RUTH 29APR10	<b>TE</b> TE Connectivity														
DIMENSIONS: MM [ INCHES ]		CHK TOM MICHELUTTI 29APR10															
TOLERANCES UNLESS OTHERWISE SPECIFIED:		APVD TOM MICHELUTTI 29APR10	NAME TAPE, COLD SHRINK														
<table border="0"> <tr><td>0 PLC</td><td>± -</td></tr> <tr><td>1 PLC</td><td>± -</td></tr> <tr><td>2 PLC</td><td>± -</td></tr> <tr><td>3 PLC</td><td>± -</td></tr> <tr><td>4 PLC</td><td>± -</td></tr> <tr><td>ANGLES</td><td>± -</td></tr> </table>		0 PLC	± -	1 PLC	± -	2 PLC	± -	3 PLC	± -	4 PLC	± -	ANGLES	± -	PRODUCT SPEC -	RESTRICTED TO		
0 PLC	± -																
1 PLC	± -																
2 PLC	± -																
3 PLC	± -																
4 PLC	± -																
ANGLES	± -																
MATERIAL 1		FINISH -	WEIGHT -	SIZE A2	CAGE CODE 00779	DRAWING NO 605980											
CUSTOMER DRAWING			SCALE NTS	SHEET 1 of 1	REV A1												

# Mouser Electronics

Authorized Distributor

Click to View Pricing, Inventory, Delivery & Lifecycle Information:

[TE Connectivity:](#)

[605980-2](#)