

THIS DRAWING IS UNPUBLISHED
 VERTRÄULICHE UNVERÖFFENTLICHTE ZEICHNUNG
 © COPYRIGHT 2001 BY TYCO ELECTRONICS CORPORATION. ALL RIGHTS RESERVED.
 FREI FÜR VERÖFFENTLICHUNG
 - 2001
 FREI FÜR VERÖFFENTLICHUNG
 - 2001
 ALLE RECHTE VORBEHALTEN

MATED WITH:
 PASSEND ZU:

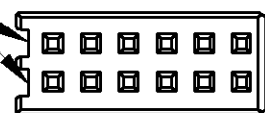
LOC
 A1

DIST
 -

REVISIONS
 AENDERUNGEN

| P | LTR | DESCRIPTION BESCHREIBUNG | DATE | DWN | APVD |
|---|-----|------------------------------------|-----------|-----|------|
| | A1 | Zeichnung neu erstellt | 04JUL2001 | KS | BK |
| | A2 | EG00-0900-03, optionale Ausführung | 14MAR2003 | PS | BL |
| | A3 | Drawing update | 09JUL2003 | PS | BL |
| | A4 | DRAWING ADAPTED | 13DEC2006 | PS | BL |

Nur Materialentnahme; diese kann je nach Ausführung
 des Werkzeuges unterschiedlich gestaltet sein
 ONLY MATERIAL REMOVE; THE SHAPE CAN BE DIFFERENT
 ACCORDING TO THE DESIGN OF THE MOULD

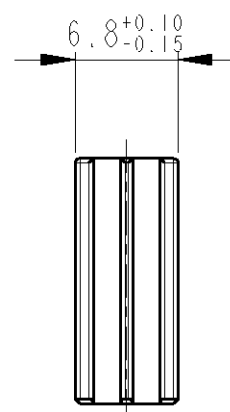
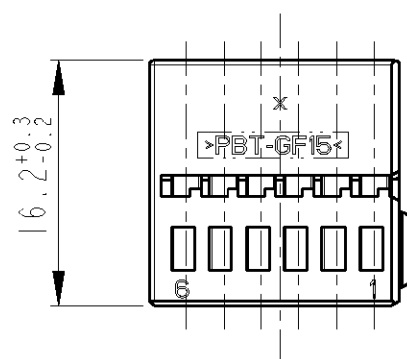
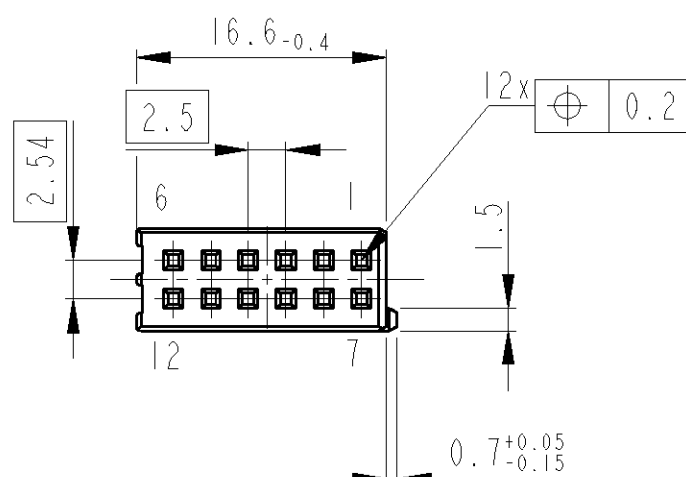


Notes

- 1 SUITABLE COVERS: 1534093, 1534096
- 2 SUITABLE CONTACTS: 928999, 963715

Bemerkungen

- 1 Passende Abdeckkappen: 1534093, 1534096
- 2 Passende Kontakte: 928999, 963715



| | | | | | |
|--------------------------|------|----------|-----------------|------|------|
| 1534100-1 | A | PBT-GF15 | schwarz | 9011 | 1 |
| ORDER-NO. Bestell-Nr. | REV. | MATERIAL | COLOUR Farbe | RAL | POS. |

| | | | | | | | | | | | | | | | | | | | | | | | |
|--|---|---|--|---|-------------------------------|---|---------------|-------|---|------------|-------|---|-------------|-------|---|--|-----------------|--|-----|-----------------------------------|------------|--|--|
| THIS DRAWING IS A CONTROLLED DOCUMENT FOR TYCO ELECTRONICS CORPORATION IT IS SUBJECT TO CHANGE AND THE CONTROLLING ENGINEERING ORGANIZATION SHOULD BE CONTACTED FOR THE LATEST REVISION. DIESES ZEICHNUNGSDOKUMENT WIRD DURCH AMP INCORPORATED KONTROLLIERT. ÄNDERUNGEN, DIE DEM TECHNISCHEN FORTSCHRITT DIENEN, SIND VORBEHALTEN. DEN JEWELNS LETZTGÜLTIGEN ÄNDERUNGSSTAND ERFAHREN SIE AUF ANFRAGE. | | DWN K. Sellien 04JUL2001 | tyco Electronics AMP GmbH D - 64625 Bensheim | | | | | | | | | | | | | | | | | | | | |
| DIMENSIONS: MASSEINHEITEN: mm | | CHK B. Kirsch 12JUL2001 | | | | | | | | | | | | | | | | | | | | | |
| TOLERANCES UNLESS OTHERWISE SPECIFIED: ALLGEMEINTOLERANZEN | | APVD - | NAME REC. HSG., 2x6 POSN., MQS Buchsengehäuse, 2x6 pol., MQS | | | | | | | | | | | | | | | | | | | | |
| <table border="1"> <tr> <td>0 PLC</td> <td>±</td> <td>ACC. TO</td> </tr> <tr> <td>1 PLC</td> <td>±</td> <td>DIN 16901-140</td> </tr> <tr> <td>2 PLC</td> <td>±</td> <td>CENTRIC TO</td> </tr> <tr> <td>3 PLC</td> <td>±</td> <td>NOMINAL DIM</td> </tr> <tr> <td>4 PLC</td> <td>±</td> <td></td> </tr> <tr> <td colspan="2">ANGLES / WINKEL</td> <td>±2°</td> </tr> </table> | | 0 PLC | ± | ACC. TO | 1 PLC | ± | DIN 16901-140 | 2 PLC | ± | CENTRIC TO | 3 PLC | ± | NOMINAL DIM | 4 PLC | ± | | ANGLES / WINKEL | | ±2° | PRODUCT SPEC PRODUKTSPEZ. - | SIZE A3 | | |
| 0 PLC | ± | ACC. TO | | | | | | | | | | | | | | | | | | | | | |
| 1 PLC | ± | DIN 16901-140 | | | | | | | | | | | | | | | | | | | | | |
| 2 PLC | ± | CENTRIC TO | | | | | | | | | | | | | | | | | | | | | |
| 3 PLC | ± | NOMINAL DIM | | | | | | | | | | | | | | | | | | | | | |
| 4 PLC | ± | | | | | | | | | | | | | | | | | | | | | | |
| ANGLES / WINKEL | | ±2° | | | | | | | | | | | | | | | | | | | | | |
| MATERIAL SEE TABLE | | APPLICATION SPEC VERARBEITUNGSSPEZ. - | CAGE CODE 00779 | DRAWING NO ZEICHNUNGS-NR. C=1534100 | RESTRICTED TO NUR FÜR - | | | | | | | | | | | | | | | | | | |
| FINISH / OBERFLÄCHE / FARBE SEE TABLE | | WEIGHT GEWICHT - | SCALE MASSSTAB 2:1 | SHEET BLATT 1 | OF VON 1 | | | | | | | | | | | | | | | | | | |
| | | CUSTOMER DRAWING /KUNDENZEICHNUNG | REV A4 | | | | | | | | | | | | | | | | | | | | |

Mouser Electronics

Authorized Distributor

Click to View Pricing, Inventory, Delivery & Lifecycle Information:

[TE Connectivity:](#)

[1534100-1](#)