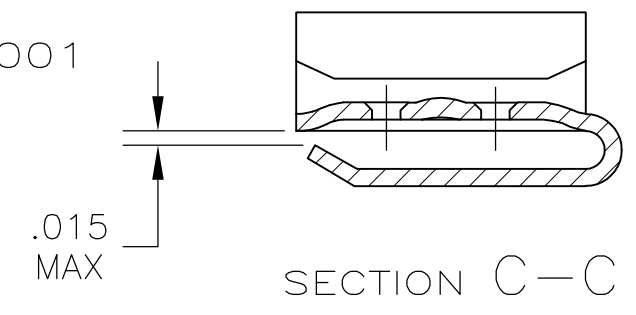
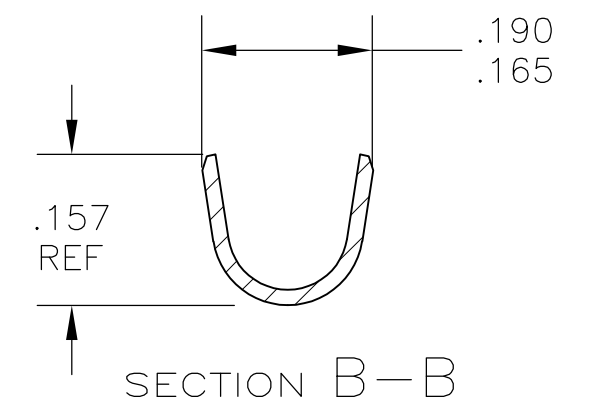
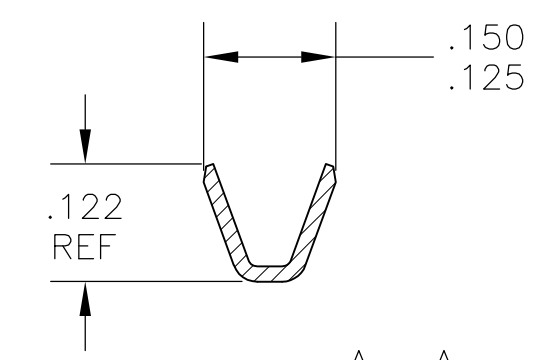
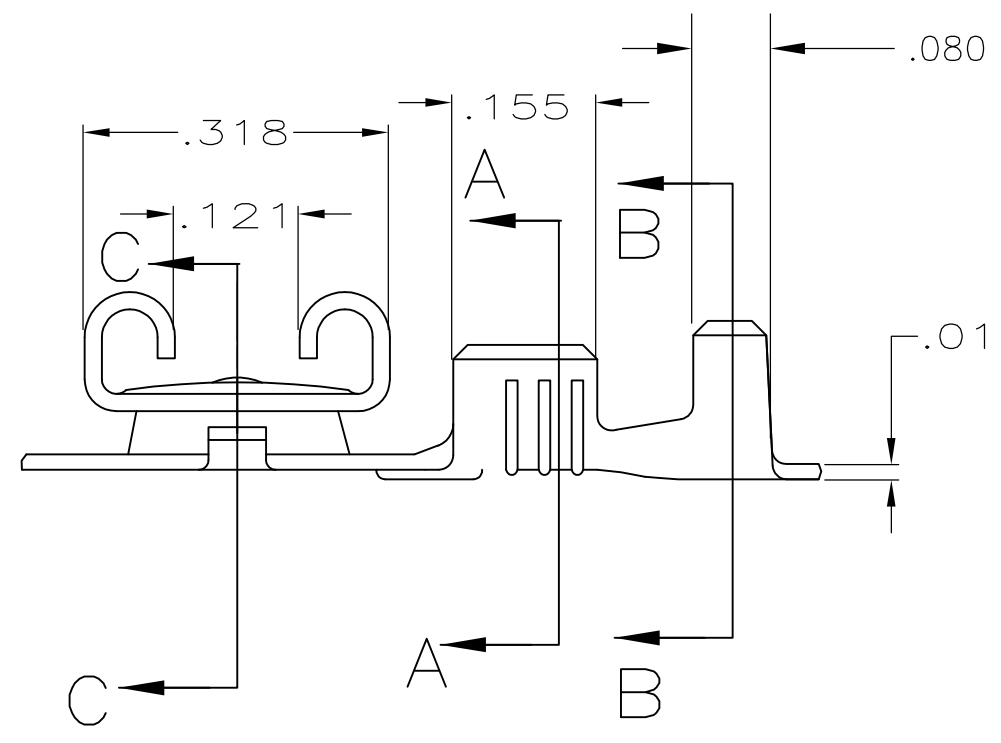
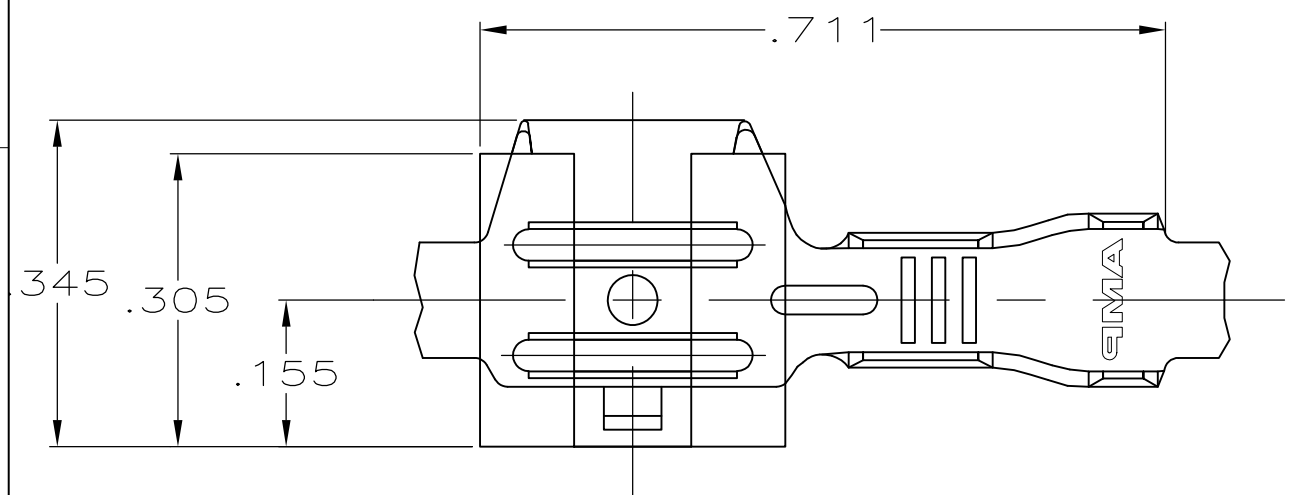


THIS DRAWING IS UNPUBLISHED. RELEASED FOR PUBLICATION
 © COPYRIGHT - By - ALL RIGHTS RESERVED.

LOC	DIST	REVISIONS			
P	LTR	DESCRIPTION	DATE	DWN	APVD
AF	50	D	REVISED PER ECR-12-013518	26NOV2012	KH PD

- CONTINUOUS STRIP ON REELS.
- WIRE SIZE IS FOR #22-#16 AWG
- INSULATION RANGE IS .090-.130 DIA.
- MATING TAB THK IS .032±.001



1217904-1
PART NO.

THIS DRAWING IS A CONTROLLED DOCUMENT.		DWN	JR RUTH	05DEC02	TE Connectivity RECEPTACLE, FASTON, FLAG, REVERSIBLE, .250 SERIES			
DIMENSIONS: INCHES		CHK	D DECKER	05DEC02				
TOLERANCES UNLESS OTHERWISE SPECIFIED:		APVD	D DECKER	05DEC02				
0 PLC ± - 1 PLC ± - 2 PLC ± - 3 PLC ± .010 4 PLC ± - ANGLES ± -		PRODUCT SPEC	NAME					
MATERIAL: BRASS		FINISH: -		APPLICATION SPEC	SIZE	CAGE CODE	DRAWING NO	RESTRICTED TO
				WEIGHT	A3 00779		C-1217904	-
CUSTOMER DRAWING				SCALE	5:1	SHEET	1 OF 1	REV
								D

Mouser Electronics

Authorized Distributor

Click to View Pricing, Inventory, Delivery & Lifecycle Information:

[TE Connectivity:](#)

[1217904-1](#)